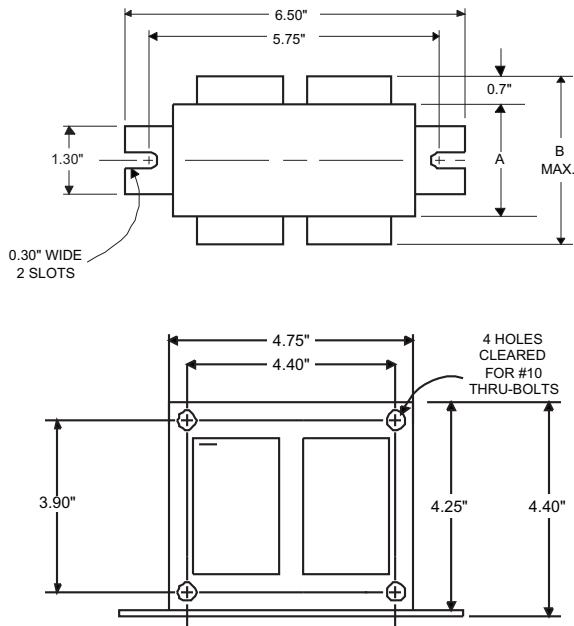


DIMENSIONS AND DATA

4 1/4 X 4 3/4 CORE - 2 COIL UNIT



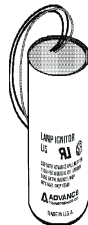
		120	208	240	277
INPUT VOLTS					
CIRCUIT TYPE	CWA				
POWER FACTOR (min)	90%				
REGULATION					
Line Volts	±10%				
Lamp Watts	WITHIN TRAPEZOID				
LINE CURRENT (Amps)					
Operating.....		2.50	1.50	1.30	1.10
Open Circuit.....		1.70	1.00	0.85	0.75
Starting.....		1.65	0.95	0.80	0.70
UL TEMPERATURE RATINGS					
Insulation Class	H(180°C)				
Coil Temperature Code	1029				
MIN. AMBIENT STARTING TEMP.	-40°F or -40°C	A	A	B	B
NOM. OPEN CIRCUIT VOLTAGE	187				
INPUT VOLTAGE AT LAMP DROPOUT.....		90	156	180	208
INPUT WATTS	295				
RECOMMENDED FUSE (Amps).....		7	4	4	3
CORE and COIL					
Dimension (A)	1.80				
Dimension (B)	3.45				
Weight (lbs.)	11				
Lead Lengths	12"				
CAPACITOR REQUIREMENT					
Microfarads	35.0				
Volts (min.)	240				
Fault Current Withstand (amps)					
60 Hz TEST PROCEDURES (Refer to Philips Lighting Electronics N.A. TEST Procedure for HID Ballasts - Form High Potential Test (Volts)					
1 minute	2000				
2 seconds	2500				
Open Circuit Voltage Test (Volts)	170-205				
Short-Circuit Current Test (Amps)	3.70-4.50				
Secondary Current					
Input Current.....		1.00	0.55	0.50	0.40
		1.60	0.90	0.85	0.75

Capacitor: 7C350P24



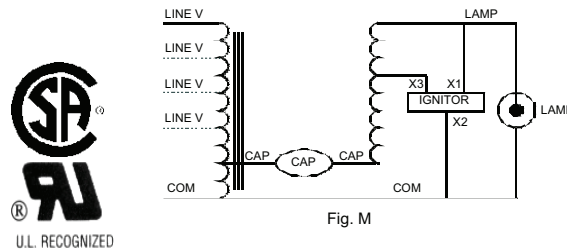
Capacitance: 35
 Dia/Oval Dim: 1.75
 Height: 3.75
 Temp Rating: 105°C

Ignitor: LI501-H4



Ballast to Lamp Distance
 (BTL) = 2 feet
 Temp Rating: 105°C

Wiring Diagram:



Typical Ordering Information

(please call Philips Lighting Electronics N.A. for suffix availability)

Order Suffix	Description
--------------	-------------

Data is based upon tests performed by Philips Lighting Electronics N.A. in a controlled environment and is representative of relative performance. Actual performance can vary depending on operating conditions. Specifications are subject to change without notice.

PHILIPS LIGHTING ELECTRONICS N.A.

10275 WEST HIGGINS ROAD · ROSEMONT, IL 60018

Tel: 800-322-2086 · Fax: 888-423-1882 · www.philips.com/advance

Customer Support/Technical Service: 800-372-3331 · OEM Support: 866-915-5886

Revised: 05/16/03