

LED BULLETS

Installation instructions for 024 Series and 024-3KIT series

WARNING: These products may present a possible shock or fire hazard if improperly installed or attached in any way. Products should be installed in accordance with the owners manual, current electrical codes and/or the current National Electric Code (NEC).

IMPORTANT

The following instructions are provided to assure safe installation and operation of LED Bullets. Please read carefully before connecting or installing this product.

1. The LED Bullets are a safe low voltage lighting system that are suitable for indoor locations only.
2. Do not mount or support the LED Bullet in a manner that can cut the outer jacket or damage wire insulation.
3. Always make sure power is disconnected from the LED Bullets before cutting, mounting, attaching terminal block, attaching end cap or modifying in any way.
4. Do not exceed the maximum capacity of the 350mA DC power supply used for any series configuration.

SPECIFICATIONS

- 1 – 8 Bullets can be powered by each LED-DR10-350PI
- 1 – 9 Bullets can be powered by each LED-DR12-350
- 1 – 14 Bullets can be powered by each LED-DR18-350
- Two runs of 1 – 14 Bullets can be powered by each LED-DR36-350HW
- Constant current LED driver (350mA DC) is required
- Series wiring configuration only (do not wire in parallel)
- Hole mount size: 1" (for recessed applications *only*)
- Fixture height: 13/16"
- Wattage per Bullet: 1.25

BEFORE YOU START

- **Always make sure the LED Bullet is disconnected from the power source before wiring.**
- Determine the number of LED Bullets your application will require. There are multiple power connection configurations and accessories that allow many installation options. See reverse side prior to installation to determine the best configuration for each installation. Remember, in any case, do not exceed the capacity of the power supply used for any single run.

******FOR HARDWIRE INSTALLATIONS SEE OTHER SIDE ******

FOR PLUG IN INSTALLATIONS (using LED-DR10-350PI)

1. Utilizing a good pair of shears, cut the Molex connector off the power connector (LED-CON2-350, LED-CON3-350 or LED-CON6-350). **Do NOT cut the molex connector off of the Bullet Lights! Do NOT cut the molex connector off of any power connectors for hardwire power supplies!** See reverse side for hardwire installation instructions.
2. Strip the insulation back 3/16" on lead wires.
3. Place the stripped leads of the power connector into one side of the TL-CONBLK2 connector (see Figure 1) and tighten screws.
4. Place stripped leads of plug-in driver LED-DR10-350PI into the other side of TL-CONBLK2 connector, being sure to match polarity and tighten screws. Connect solid red power connector lead to power supply connector marked with red. Black/red striped power connector lead goes to black power supply lead. See Figures 2 and 3.
5. Check that the male Molex connector of each LED Bullet is in operable condition. If in operable condition, insert male Molex connector into an open female port of the power connector.
6. When powering only one Bullet, it is necessary to insert an end cap, LED-END-350, into the other open port to complete the series wiring.
7. When powering Bullets, every port of each power connector must be connected to an end cap, another power connector or a Bullet. See Figure 3.

ATTACHING JUNCTION BOX

1. Each TL-CONBLK2 (shown in Figures 1 and 2) can be placed in a junction box (FSL-BOX) if desired.
2. Disconnect power from transformer.
3. Place TL-CONBLK2 assembly into top of FSL-BOX.
4. Make sure TL-CONBLK2 assembly fits into junction box and enclose with FSL-BOX bottom. Tighten four screws through bottom cover plate into FSL-BOX housing.



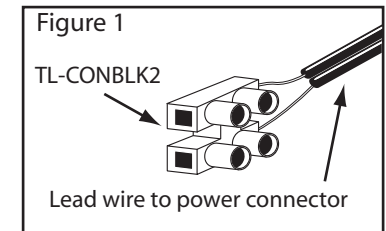
AMERICAN LIGHTING
BRIGHT IDEAS • INNOVATIVE PRODUCTS

www.americanlighting.com

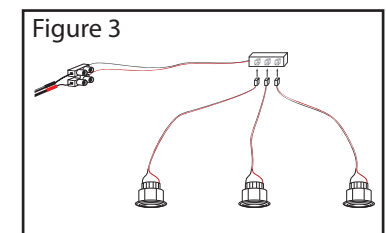
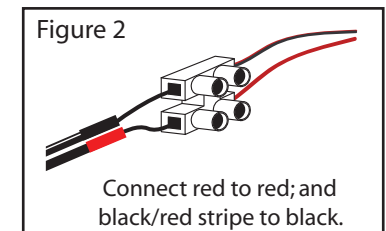
RV-0904KB

MOUNTING LED BULLET

1. Always make sure power is disconnected before modifying, mounting or installing a series of LED Bullets.
2. Drill a 1" hole in mounting surface.
3. Insert Bullet into cabinet.
4. Make sure that the wire is not in contact with sharp objects.
5. Maximum wattage per series is dependent upon of the power supply. Add the number of bullets and respective wattage to assure you do not exceed the maximum wattage.
6. For best results in situations where Bullets are mounted continually facing down, affix the fixture with a small amount of silicone to secure the fixture in place.



CUT OFF MOLEX ONLY WHEN USING PLUG-IN DRIVER



LED BULLETS

Installation instructions for 024 Series and 024-3KIT series (CONTINUED FROM OTHER SIDE)

WARNING: These products may present a possible shock or fire hazard if improperly installed or attached in any way. Products should be installed in accordance with the owners manual, current electrical codes and/or the current National Electric Code (NEC).

IMPORTANT

The following instructions are provided to assure safe installation and operation of LED Bullets. Please read carefully before connecting or installing this product.

1. The LED Bullets are a safe low voltage lighting system that are suitable for indoor locations only.
2. Do not mount or support the LED Bullet in a manner that can cut the outer jacket or damage wire insulation.
3. Always make sure power is disconnected from the LED Bullets before cutting, mounting, attaching terminal block, attaching end cap or modifying in any way.
4. Do not exceed the maximum capacity of the 350mA DC power supply used for any series configuration.

SPECIFICATIONS

- 1 – 8 Bullets can be powered by each LED-DR10-350PI
- 1 – 9 Bullets can be powered by each LED-DR12-350
- 1 – 14 Bullets can be powered by each LED-DR18-350
- Two runs of 1 – 14 Bullets can be powered by each LED-DR36-350HW
- Constant current LED driver (350mA DC) is required
- Series wiring configuration only (do not wire in parallel)
- Hole mount size: 1" (recessed applications only)
- Fixture height: 13/16"
- Wattage per Bullet: 1.25

BEFORE YOU START

- **Always make sure the power supply (LED driver) is disconnected from the power source before wiring Bullet lights.**
- Determine the number of LED Bullets your application will require.
- There are multiple power connection configurations and accessories that allow many installation options. See Figures 1-3 for ideas. Prior to installation, determine the best configuration for each installation.

FOR HARDWIRE INSTALLATIONS

1. Check that the male Molex connector of each LED Bullet is in operable condition. If in operable condition, insert male Molex connector into an open female port of the power connector.
2. When powering only one Bullet, it is necessary to insert an end cap, LED-END-350, into any open ports to complete the series wiring. When powering Bullets, every port of each power connector must be connected to an end cap, another power connector or a Bullet. The whole set will not light if any port remains empty.

CONNECTING TO POWER SUPPLY

Use a 350mA power supply as recommended by the factory. Use of any other power supply will void the warranty. **Make sure the power source is disconnected before making any connections.**

1. When connecting to LED-DR12-350 or LED-DR18-350 power supplies, plug the molex connector directly into the molex port on the secondary side of the power supply.
2. When using LED-DR36-350HW power supply, cut off the molex connector of the last power connector in the series and wire to the secondary side of the driver, matching polarity. Connect solid red power connector lead to power supply lead marked positive. Black/red striped power connector lead goes to negative supply lead.
3. Connect 120V AC power to the primary side matching polarity and turn on power.

MOUNTING LED BULLET

1. Always make sure power is disconnected before modifying, mounting or installing a series of LED Bullets.
2. Drill a 1" hole in mounting surface.
3. Insert Bullet into cabinet.
4. Make sure that the wire is not in contact with sharp objects.
5. Maximum wattage per series is dependent upon the capacity of the power supply. Add the number of bullets and respective wattage to assure you do not exceed the maximum wattage.
6. For best results in situations where Bullets are mounted continually facing down, affix the fixture with a small amount of silicone to secure the fixture in place.

Figure 1

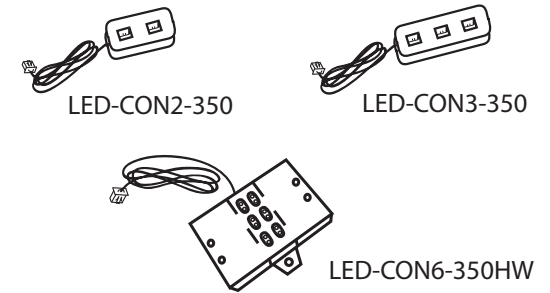


Figure 2

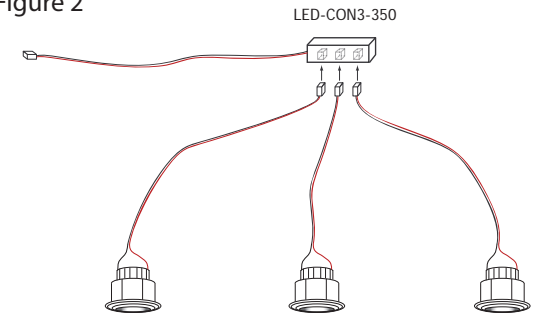
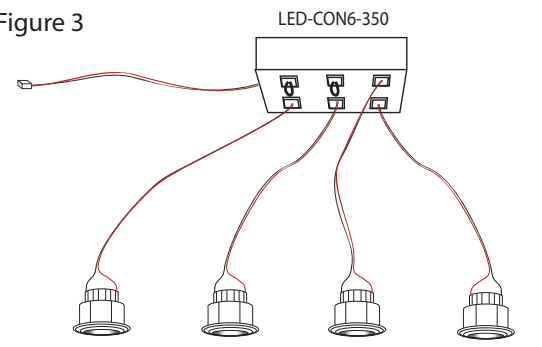


Figure 3



www.americanlighting.com

RV-0904KB