

BULBRITE®

NOSTALGIC FIXTURE COLLECTION

ANTIQUE PEWTER SCONCE BARE

ITEM #: 810020

ORD. CODE: NOS/SCON/BARE-PW

These instructions are provided for your safety. It is important that the instructions are read carefully and completely before assembling.

WARNING: BE SURE THE ELECTRICITY TO THE WIRES YOU ARE WORKING ON IS SHUT OFF; EITHER THE FUSE IS REMOVED OR THE CIRCUIT BREAKER IS TURNED OFF.

PLEASE CONSULT A LICENSED ELECTRICIAN IF YOU HAVE ANY QUESTIONS.

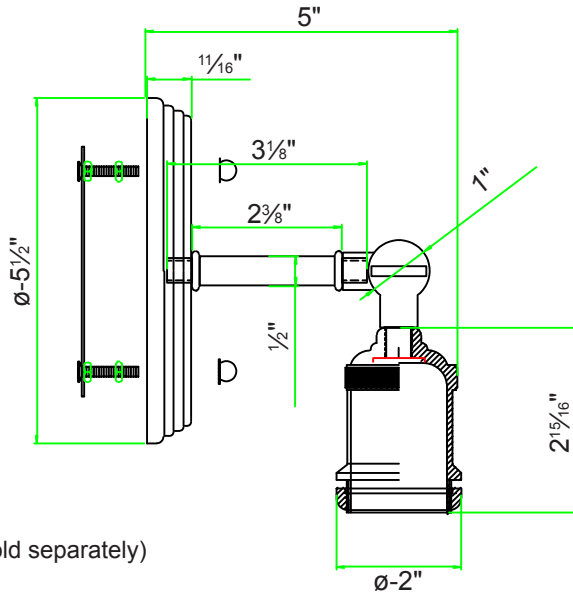
PARTS INCLUDED:

- 4 Mounting screws
- 4 Wall anchors
- 3 Wire nuts

Max Wattage - 60W (bulb sold separately)

Antique Pewter Finish

UL Listed



INSTALLATION INSTRUCTIONS

1. Before starting to assemble your sconce fixture, spread all parts out on a clean flat surface. Inspect each part for defects that may have occurred during shipping. Inspect the wire insulation for any cuts, abrasions or exposed copper that may have resulted during shipping. If there is a defect in the wire, DO NOT continue the assembly operation and return the item to your place of purchase.
2. DISCONNECT THE POWER by turning off the circuit breaker or by removing the appropriate fuse at the fuse box. Turning the power off using the light switch is not sufficient to prevent electrical shock.
3. Attach the fixture's circular mounting bracket to the outlet box using two outlet box screws.
4. Holding the sconce and canopy, attach the fixture wires to the supply circuit wires by using the wire nuts. Attach the ground supply circuit wire and ground fixture wire (copper/green) together. Never connect the ground wire to black or white power supply wires. Ensure the black wire is connected to black (hot) and the white wire is connected to white (neutral).
5. Place all wires properly into the outlet box. Mount the canopy to the outlet box with the provided decorative screws and nuts.
6. Use the joint wing nut to adjust the arm to the desired position.
7. Installation is now complete. Install bulb and turn on the power. **Do not exceed 60 watt bulb rating.**

PRODUCT MAINTENANCE

1. To clean simply wipe with a soft dry cloth. Turn off power before cleaning.
2. Do not use any cleaners with chemicals, solvents, or harsh abrasives.

RECOMMENDED BULBS:

Bulbrite's Nostalgic collection of bulbs rated 60W or less. Ask a store representative about these options or visit www.bulbrite.com

