

# C6

## Recessed "Pan" Conversion Kit

### Product Description

The C6 conversion kit provides a connector assembly and two-piece enclosure to convert "pan" type recessed downlight housings with 120V Edison base connectors to be converted for use with all Cree 120V six-inch downlights. It is rated for use with luminaires that consume low energy, such as the LR6 and CR6, optimizing energy density calculations for easier energy code compliance and LEED certification.

### Product Specifications

#### CONSTRUCTION & MATERIALS

Rugged one-piece spun housing with Edison base connector assembly accommodates Cree 120V six-inch LED downlights.

Integral mounting clips adjust to ensure adequate fit to effectively isolate housing assembly from conditioned space below.

Two-piece connection enclosure protects socket housing.

Suitable for insulated or non-insulated ceilings.

#### REGULATORY & VOLUNTARY QUALIFICATIONS

cETLus Listed

Suitable for damp locations.

### Compatible Downlights

C6	C6-GU24
CR6	CR6-GU24
LR6	LR6-GU24
LR6C	LR6C-GU24
LE6	LE6-GU24
LE6C	LE6C-GU24
	LR6-DR Series (120V)

### Compatible Housings

Housings		
Lightolier 1102P	Lithonia LP6	Nora NHAV-6150
Capri CM6	Lithonia GRS 6 HSG	Nora NH-150
Cooper H-6001	Juno TC906	

### Ordering Information

Example: C6

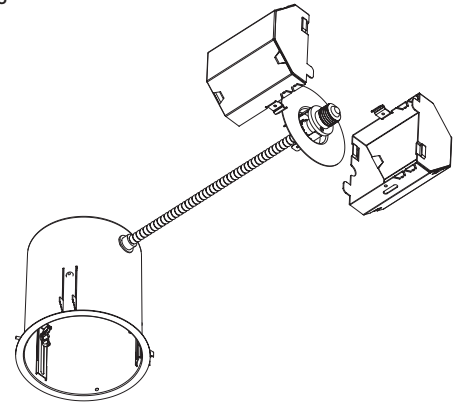
Product	
C6 120V, Edison Socket	C6-GU24 120V, GU24 Socket

### Installation

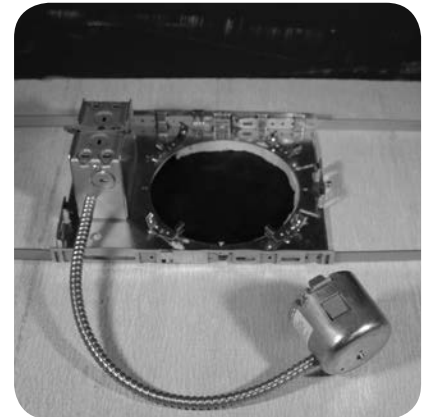
- Remove existing lamp and trim.
- Place socket housing in connection enclosure.
- Push assembly through ceiling opening until the mounting clips engage.
- Adjust mounting clips as needed.
- Install Cree six-inch downlight.

© 2012 Cree, Inc. and/or one of its subsidiaries. All rights reserved. For informational purposes only. See [www.cree.com/patents](http://www.cree.com/patents) for patents that cover these products. Cree®, and the Cree logo are registered trademarks of Cree, Inc. or one of its subsidiaries.

C6



C6 Converts "pan" style commercial downlight housings.



Converted housing ready for installation.

