

Product Description

The LBR-30 is a revolutionary BR30 LED lamp that combines the beauty and intensity of halogen with exceptional efficiency and longevity. It provides a specification grade solution for downlighting, track and accent lighting for commercial and retail environments, in narrow and wide flood beam angles. Its breakthrough performance is achieved by combining the high efficacy and high quality light of Cree TrueWhite® Technology with a unique optical and thermal management approach. U.S. patent #7,213,940 issued. Numerous patents pending.

Performance Summary – Features significant increase in CRI

- Utilizes Cree TrueWhite® Technology
- Light Output = 600 Lumens
- CRI = 94
- CCT = 2700K
- Beam Angle = 25° or 50°
- Input Power = 12W
- Color Management
- Dimmable to 20% with ELV dimmers
- Designed to last 50,000 hours in open fixtures
- Designed to last 35,000 hours in non-IC recessed downlights
- Three Year Warranty

Ordering Information

- LBR30A92-25D - 120V, Edison Base, 25° beam angle, CBCP = 1940
- LBR30A92-25D-GU24 - 120V, GU24 Base, 25° beam angle, CBCP = 1940
- LBR30A92-50D - 120V, Edison Base, 50° beam angle, CBCP = 785
- LBR30A92-50D-GU24 - 120V, GU24 Base, 50° beam angle, CBCP = 785

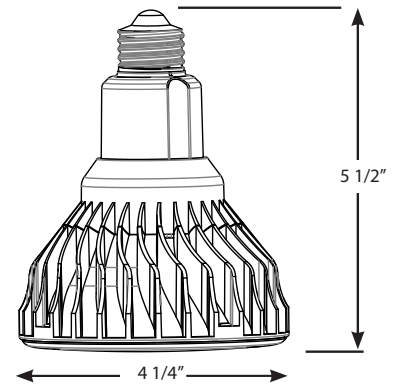
Accessories - Reference accessory product information sheets for more detail

Trackheads

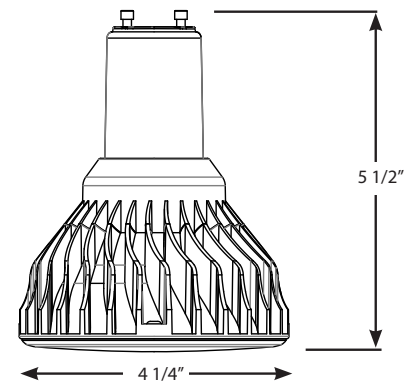
- TL - Lampholder for LBR-30, 120V, 12W max, Edison base.



LBR-30



LBR-30-GU24



Product Information

Cree TrueWhite® Technology

- A better way to generate white light that utilizes a patented mixture of unsaturated yellow and saturated red LEDs.
- Tuned to optimal color point before shipment.
- Color management system maintains color consistency over time and temperature.
- Color filters, baffles or other shielding media may affect color consistency and lifetime.

Construction

- Durable die-cast aluminum housing to protect the LEDs and reflector.
- Integrated thermal management system conducts heat away from LEDs and transfers it to the surrounding environment.
- Conforms to ANSI standards for BR30 lamp envelopes.

NOTE: Verify fit in fixtures that utilize the face of the lamp for mechanical attachment to ensure compatibility.

Lifetime

- Designed to last to 50,000 hours and maintain at least 70% of initial lumen output when utilized in open fixtures such as gimbal ring or lampholder type track heads.
- Designed to last 35,000 hours and maintain at least 70% of initial lumen output when utilized in non-IC recessed downlights.
- Consult Cree LED Lighting for use in other fixture types.

Optical System

- Pixelation and direct view of unshielded LEDs are eliminated.
- Precisely formed specular reflector accurately redirects light within a controlled beam.
- Innovative beam enhancer redirects scattered light while concealing LEDs from view.
- Projects smooth light patterns with no hot spots and minimal striations.

Electrical System

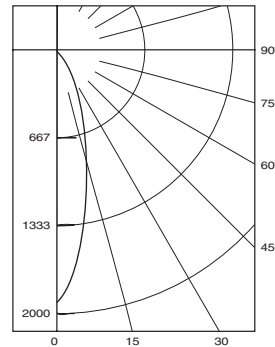
- Integral, high efficiency driver and power supply.
- Power factor > 0.9
- Input voltage = 120V, 60Hz.

Regulatory and Voluntary Qualifications

- cULus Listed®. Suitable for damp locations.
- Utilize GU-24 base for new construction projects in California or other areas where high efficacy line voltage sockets are required.

Photometry

LBR30A92-25D - Based on OnSpex 30015498-1



Intensity (Candlepower) Summary

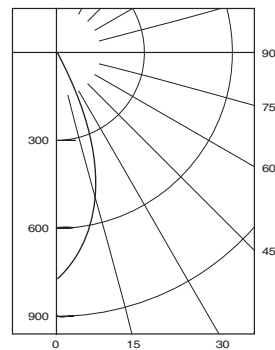
ANGLE	MEAN CP
0°	1940
5°	1822
15°	796
25°	277
35°	89
45°	51
55°	29
65°	15
75°	7
85°	3
90°	2

Zonal Lumen Summary

ZONE	LUMENS	%LAMP
0° - 30°	454	75.67%
0° - 40°	512	85.33%
0° - 60°	577	96.17%
0° - 90°	600	100.00%

Photometry

LBR30A92-50D - Based on OnSpex 30015498-2



Intensity (Candlepower) Summary

ANGLE	MEAN CP
0°	785
5°	748
15°	537
25°	302
35°	154
45°	76
55°	39
65°	19
75°	7
85°	1
90°	0

Zonal Lumen Summary

ZONE	LUMENS	%LAMP
0° - 30°	365	60.83%
0° - 40°	470	78.33%
0° - 60°	572	95.33%
0° - 90°	600	100.00%