

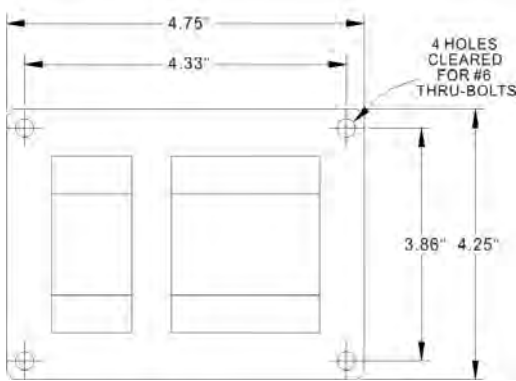
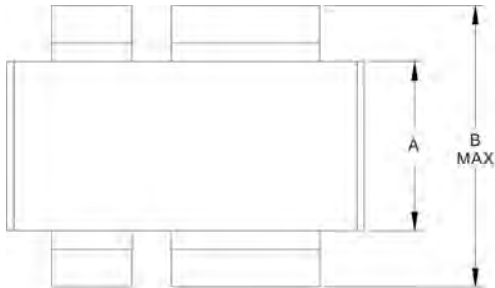


High Pressure Sodium Lamp

Catalog Number **86608**  
**S250ML5AA4**  
**LU250W S50**  
**60 Hz CWA**

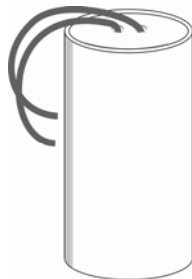
**DIMENSIONS AND DATA**

4<sup>1</sup>/<sub>4</sub> × 4<sup>3</sup>/<sub>4</sub> CORE-2COIL UNIT



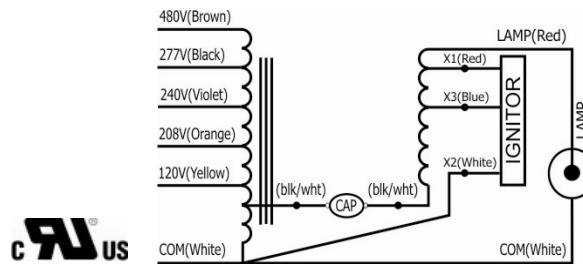
	120	208	240	277	480
INPUT VOLTS					
CIRCUIT TYPE	CWA				
POWER FACTOR	90%				
<b>REGULATION</b>					
Line Volts	±10%				
Lamp Watts	±13%				
<b>LINE CURRENT</b>	(Amps)				
Operating.....	2.70	1.54	1.34	1.16	0.67
Open Circuit.....	2.03	1.16	1.01	0.87	0.50
<b>UL TEMPERATURE RATINGS</b>					
Insulating Class	N(200°C)				
Coil Temperature Code	1029	A	A	A	A
MIN.AMBIENT STARTING TEMP.	-20°F or -30°C				
NOM. OPEN CIRCUIT VOLTAGE	190				
INPUT VOLTAGE AT LAMP DROPOUT.....	90	156	180	208	360
INPUT WATTS	305				
RECOMMENDED FUSE(Amps).....	5	3	3	2	1
<b>CORE and COIL</b>					
Dimension(A)	2.32				
Dimension(B)	4.20				
Weight(Ibs.)	10.4				
Lead Lengths	12"				
<b>CAPACITOR REQUIREMENT</b>					
Microfarads	35				
Volts(min.)	250				
<b>60Hz TEST PROCEDURES</b>					
1minute	2000				
2seconds	2500				
Open Circuit Voltage Test(Volts)	175-215				
<b>Short-circuit Current Test(Amps)</b>					
Secondary Current	3.00-4.50				

Capacitor:

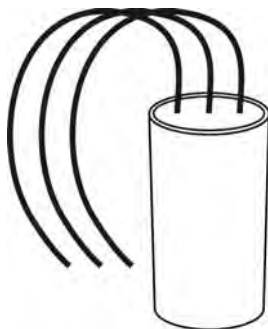


Capacitance: 35uf/250v  
 Diameter: 1.77"  
 Height: 3.64"  
 Temp Rating: 100°C

**Wiring Diagram:**



Ignitor: HPS400



Diameter: 1.41"  
 Height: 2.62"  
 Ballast to Lamp Distance (BTL) = 10feet  
 Temp Rating: 105°C

**Lighting and Power**  
 Technologies LLC

7101 Whisperfield Dr. Plano, TX 75024  
 PH: 972-624-5000 Fax; 972 624-5800  
 Tech Support: 877 666-5267

sales@lightingandpowertech.com  
 www.lightingandpowertech.com