

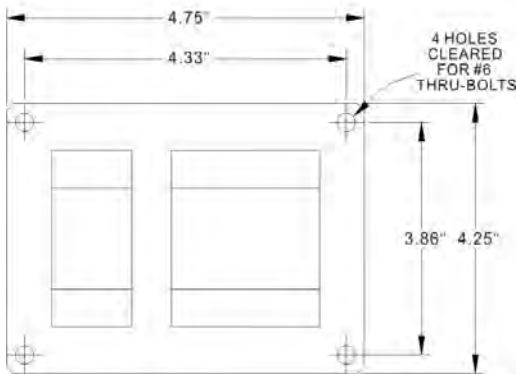
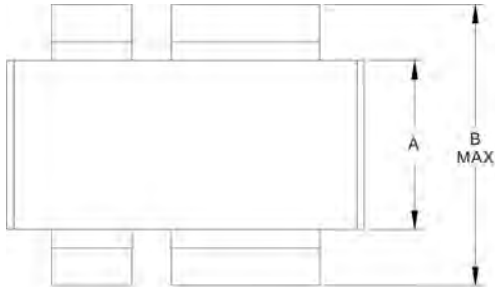


**Pulse Start Metal Halide Lamp**

**Catalog Number 88611**  
**P400ML5AA4**  
**PS400W M135/155**  
**60 Hz CWA**

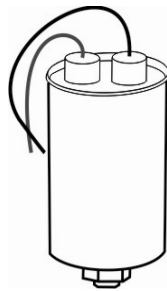
**DIMENSIONS AND DATA**

4<sup>1</sup>/<sub>4</sub> × 4<sup>3</sup>/<sub>4</sub> CORE-2COIL UNIT



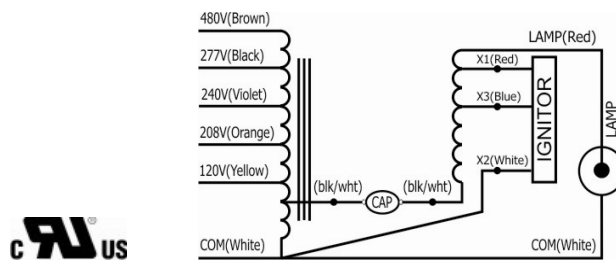
	120	208	240	277	480
INPUT VOLTS					
CIRCUIT TYPE	CWA				
POWER FACTOR	90%				
<b>REGULATION</b>					
Line Volts	±10%				
Lamp Watts	±8%				
<b>LINE CURRENT</b>	(Amps)				
Operating.....	4.00	2.40	2.10	1.80	1.00
Open Circuit.....	3.32	1.99	1.74	1.49	0.83
<b>UL TEMPERATURE RATINGS</b>					
Insulating Class	N(200°C)				
Coil Temperature Code	1029				
MIN.AMBIENT STARTING TEMP.	-20°F or -30°C				
NOM. OPEN CIRCUIT VOLTAGE	270				
INPUT VOLTAGE AT LAMP DROPOUT.....	90	156	180	208	360
INPUT WATTS	470				
RECOMMENDED FUSE(Amps).....	8	5	4	4	2
<b>CORE and COIL</b>					
Dimension(A)	2.17				
Dimension(B)	4.10				
Weight(Ibs.)	11				
Lead Lengths	12"				
<b>CAPACITOR REQUIREMENT</b>					
Microfarads	26				
Volts(min.)	540				
<b>60Hz TEST PROCEDURES</b>					
1minute	2000				
2seconds	2500				
Open Circuit Voltage Test(Volts)	254-310				
<b>Short-circuit Current Test(Amps)</b>					
Secondary Current	3.20-4.90				

Capacitor:

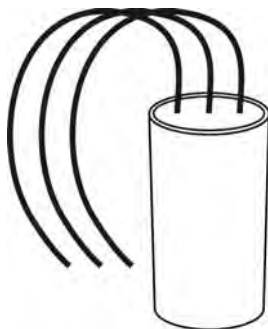


Capacitance: 26uf/540v  
 Diameter: 2.16"  
 Height: 3.94"  
 Temp Rating: 105°C

Wiring Diagram:



Ignitor: MH400



Diameter: 1.41"  
 Height: 2.62"  
 Ballast to Lamp Distance (BTL) = 105feet  
 Temp Rating: 105°C

**Lighting and Power**  
 Technologies LLC

7101 Whisperfield Dr. Plano, TX 75024  
 PH: 972-624-5000 Fax; 972 624-5800  
 Tech Support: 877 666-5267

sales@lightingandpowertech.com  
 www.lightingandpowertech.com