



CERTIFIED GREEN

PM-4X54T5-UNV-PS-N

POWERMASTER T5 BALLAST



PRODUCT FEATURES

STARTING METHOD: Program	INPUT VOLTAGE: 120-277VAC ± 10%	POWER FACTOR: High	WARRANTY: 5 Years
LAMP CONNECTION: Series	INPUT FREQUENCY: 50/60 Hz	BALLAST FACTOR: Normal	

- Sound Rated: A
- Minimum Starting Temperature: 0°F, -18°C
- Maximum Case Temperature: 194°F, 90°C
- Meets FCC Part 18 (Class A) Non-Consumer Limits
- Transient Protection Meets ANSI/IEEE62.41 Cat. A
- Lamp end-of-life protected

ELECTRICAL SPECIFICATIONS

LAMP TYPE	NO. OF LAMPS	INPUT VOLTS	INPUT WATTS	INPUT CURRENT (AMPS)	POWER FACTOR	CREST FACTOR	BALLAST FACTOR	BALLAST EFFICACY FACTOR	MAX THD%	WIRING DIAGRAM
F54T5/HO	4	120	229.0	1.94	0.99	1.70	0.96	0.42	10	F4-5
		277	222.0	0.83	0.98	1.70	0.98	0.44	10	F4-5
	3	120	171.0	1.47	0.99	1.70	0.97	0.58	10	F3-6, F3-7
		277	171.0	0.63	0.98	1.70	0.99	0.58	10	F3-6, F3-7
	2	120	112.0	0.96	0.99	1.70	0.96	0.86	10	F3-6, F4-5
		277	112.0	0.42	0.98	1.70	0.98	0.88	10	F3-6, F4-5
	1	120	59.0	0.50	0.99	1.70	1.00	1.69	10	F3-7
		277	60.0	0.23	0.94	1.70	1.01	1.67	10	F3-7
DT55 (FT55W/2G11)	4	120	209.0	1.74	0.99	1.40	0.88	0.43	10	F4-5
		277	207.0	0.76	0.98	1.40	0.90	0.44	10	F4-5
	3	120	155.0	1.29	0.99	1.40	0.92	0.59	10	F3-6, F3-7
		277	155.0	0.57	0.98	1.40	0.93	0.60	10	F3-6, F3-7
	2	120	101.0	0.84	0.99	1.40	0.92	0.91	10	F3-6, F4-5
		277	101.0	0.38	0.97	1.40	0.91	0.91	10	F3-6, F4-5
	1	120	54.0	0.46	0.99	1.40	0.92	1.70	15	F3-7
		277	56.0	0.22	0.92	1.40	0.93	1.66	15	F3-7
DT36 (FT36W/2G11)	4	120	154.0	1.33	0.99	1.70	0.86	0.56	10	F4-5
		277	152.0	0.57	0.97	1.70	0.87	0.57	10	F4-5
	3	120	114.0	0.98	0.99	1.70	0.88	0.77	10	F3-6, F3-7
		277	114.0	0.43	0.96	1.70	0.88	0.77	10	F3-6, F3-7
	2	120	74.0	0.63	0.99	1.70	0.86	1.16	10	F3-6, F4-5
		277	75.0	0.29	0.94	1.70	0.87	1.16	10	F3-6, F4-5
	1	120	39.0	0.33	0.98	1.70	0.88	2.26	15	F3-7
		277	41.0	0.17	0.85	1.70	0.88	2.15	15	F3-7
F58T8	4	120	203.0	1.69	0.99	1.40	0.88	0.43	10	F4-5
		277	200.0	0.73	0.99	1.40	0.89	0.45	10	F4-5
	3	120	153.0	1.28	0.98	1.40	0.89	0.58	10	F3-6, F3-7
		277	152.0	0.56	0.98	1.40	0.90	0.59	10	F3-6, F3-7
	2	120	100.0	0.84	0.99	1.40	0.85	0.85	10	F3-6, F4-5
		277	101.0	0.37	0.97	1.40	0.90	0.89	10	F3-6, F4-5
	1	120	53.0	0.44	0.99	1.40	0.90	1.69	15	F3-7
		277	54.0	0.21	0.93	1.40	0.90	1.67	15	F3-7

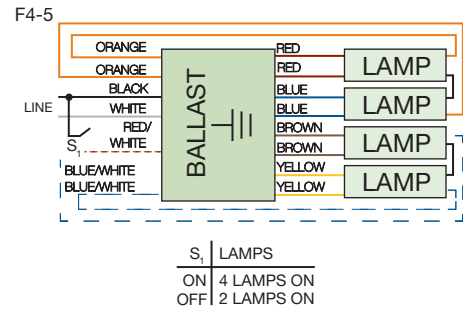
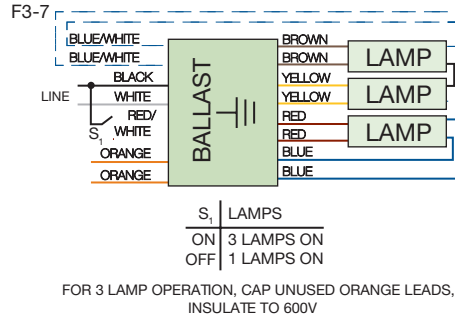
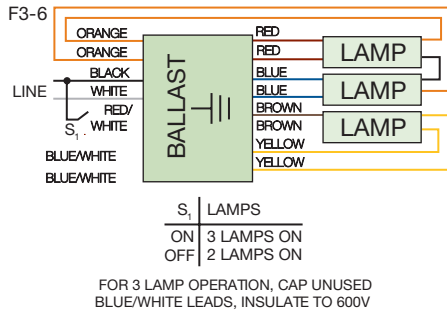
23220 W. 84th St., Shawnee, KS 66227 • Ph: 1.800.852.2217 • Fax: 1.913.441.6679 • Email: eiko@eiko.com

EIKO CANADA: 81 King Street, Barrie, ON L4N 6B5, Canada • Ph: 1.705.721.5189 • Fax: 1.705.721.7855

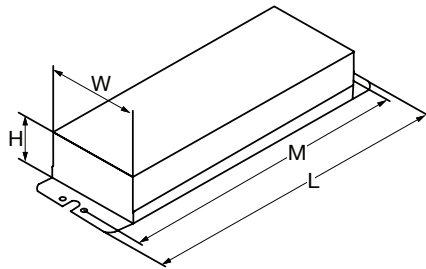
www.eiko.com



WIRING DIAGRAMS



CASE STYLE/DIMENSIONS



CASE DIMENSIONS

LENGTH: 9.45"
WIDTH: 2.28"
HEIGHT: 1.03"
MOUNTING: 9.00"
UNIT WEIGHT: 2.21 lbs

STANDARD LEAD LENGTHS*

BLACK: 36.00"
WHITE: 36.00"
BLUE: 58.00" X 58.00"
RED: 55.00" X 55.00"
RED/WHITE: 36.00"
BLUE/WHITE: 46.00" X 46.00"
YELLOW: 64.00" X 64.00"
BROWN: 64.00" X 64.00"
ORANGE: 46.00" X 46.00"

*Consult Eiko for special lead length requirements.

HOT SPOT LOCATION

