

Model Number:

Type:

Job:

Approvals:

### STANDARD FEATURES

- Easy to install, snap together design
- Ultra-compact, low-profile design
- Long life, high output red or green LEDs
- Injection-molded UL94 V-0 flame retardant, high-impact thermoplastic housing
- Molded wireways for internal wire routing and connections
- Universal J-Box mounting pattern
- Completely self-contained
- LED lamp life of 25+ years
- Universal mount, canopy included
- Replaceable chevron arrows
- Available in white or black finishes
- 120/277/VAC dual voltage input
- Overload/short circuit protected
- Voltage surge protected

### BATTERY BACK-UP

- Regulated circuit maintains constant light output throughout emergency mode
- Emergency power pack mounts inside exit housing
- Solid state, constant current type charger
- Brown-out protection

### DAMP LOCATION RATING

- Supplied standard with Illuminex Series

### CONFORMANCE TO CODES & STANDARDS

ETL listed. Meets UL 924, NFPA 101 (Life Safety Code) NEC, and OSHA. Meets state of Minnesota energy-efficient legislation requiring less than 20 watts of power consumption.

### WARRANTY

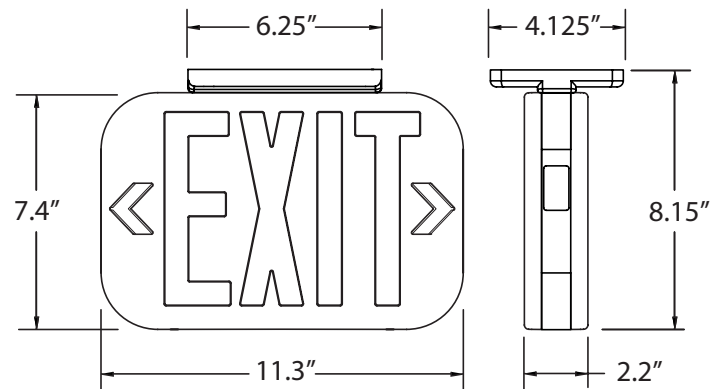
Any component that fails due to manufacturer's defect is guaranteed for 1 year from time of shipment. Warranty does not apply to damages caused by improper installation, abuse, fire or acts of God.



**ILX-R-EM-WH**

The Illuminex Series LED Exit Sign combines an attractive, easy-to-install compact contemporary design with proven, ultra-reliable electronics to provide the very best in energy efficient emergency lighting. ILX units are completely self-contained, and feature universal mounting, canopy included.

### DIMENSIONS



SPECIFICATIONS ARE SUBJECT  
TO CHANGE WITHOUT NOTICE

## CONSTRUCTION

Precision molded housing, backplate and mounting canopy constructed of impact-resistant, flame-retardant, UV stable thermoplastic resists denting, peeling, scratching and corrosion with NFPA approved field selectable chevrons. Available in white and black finishes.

## ILLUMINATION

Fully illuminated 6" letters with 3/4" stroke is achieved with high output, long lasting red or green Light Emitting Diodes (LEDs). An exclusive color-matched diffuser eliminates hot spots and striations, providing optimal light output. LEDs and electronics have an expected service life of 25 years.

## INSTALLATION

Simple snap together universal design allows for faceplate and backplate to be fully interchangeable. Mounting canopy is supplied with all signs and snaps into enclosure with positive locking tab.

## ELECTRONICS

120/277 VAC dual voltage input with surge protected, solid state circuitry.

## BATTERY

Maintenance-free, sealed Nickel Cadmium Battery provides an estimated service life of 12 years with an operating temperature range of 20°F (-7°C) to 95°F (35°C).

## EMERGENCY OPERATION

Solid state charging circuit with constant current charge and transfer design. Circuit is brown-out protected and provides a minimum of 90 minutes of emergency run time and recharge time of 12 hours. Push to test switch and an LED AC indicator provides simple means for manual test.

## SELF-TESTING /

### SELF-DIAGNOSTIC OPERATION (Option: G2)

The circuit continuously monitors the operating condition of the AC power, battery supply voltage, emergency lamp continuity and charging circuit.

If a failure is detected, visual status will occur immediately via the bi-colored LED. LED indicator will illuminate until fault has been corrected.

The G2 also monitors the transfer circuit as well as performing automatic code compliant testing. The self-test will operate the equipment in emergency mode five minutes every 28 days. Also, a 90 minute full-function test is performed every six months.

## ORDERING INFORMATION:

SERIES	LED COLOR	POWER SOURCE	ENCLOSURE COLOR	OPTIONS
ILX	R = Red G = Green	AC = AC Only EM = NiCad Battery Backup	WH = White BL = Black	G2 = Self Test/Self Diagnostics 2CI = Two Circuit Input (120/277V)

**YOUR LOCAL REPRESENTATIVE IS:**

# EXITRONIX™

A DIVISION OF THE

**BARRON LIGHTING GROUP**

1911 W. Parkside Lane • Phoenix, AZ 85027

(800) 533-3948 • Fax: (623) 580-8948

[www.exitronix.com](http://www.exitronix.com) • [www.barronltg.com](http://www.barronltg.com)