

| | |
|---------------------------------------|-------------------------|
| Model Number: Accessories: Job: | Approvals: Type: |
|---------------------------------------|-------------------------|

FEATURES

- Fully-adjustable, high-intensity led heads - 1.9 watts per head
- IP65 rated for wet locations
- UL94-5VA flame retardant polycarbonate housing with fully gasketed and sealed, hinged cover
- Remote capable up to 3.7 watts in temperatures ranging from 0°C - 50°C, powers up to (2) CLED LED remote heads
- Charge rate/power "ON" LED indicator light with test button
- Metalized reflector for enhanced light output
- Cold weather package standard (-20°C - 50°C)
- Maintenance-free NiCad battery
- UL listed 90 minute emergency run time, 24 hour recharge time
- 120/277V dual primary, 60Hz input
- Standard finishes: Black or gray



The LED-RX Emergency Light is suitable for Wet Location areas. It features energy efficient LED lighting, standard remote capability and is IP65 rated.

WARRANTY

Any component that fails due to manufacturers defect is guaranteed for 2 years with a separate 2 year pro-rated warranty on the battery. The warranty does not cover physical damage, abuse or acts of God. Manufacturer reserves the right to charge for such repairs if deemed necessary.



SPECIFICATIONS ARE SUBJECT TO CHANGE WITHOUT NOTICE

ORDERING INFORMATION Example: LED-RX-BL

| Series | Finish | Accessories ¹ (Field Installed) |
|--------|------------|--|
| LED-RX | BL = Black | WG-5 = Wire Guard (Back Mount) |
| | GR = Gray | XG-PS = Poly Guard (Back Mount) |

¹ Order as separate line item

CONSTRUCTION

Constructed of impact-resistant, UV-stabilized, corrosive-resistant, ABS plastic. One piece molded gasket provides protection for use in wet and non-hazardous dust locations.

ILLUMINATION

Illumination is accomplished utilizing high-intensity, long-life LEDs and consumes only 1 watt nominal power per head. LEDs provide excellent illumination while maximizing energy efficiency. LEDs are a maintenance-free solution, providing up to 100,000 hours of use without failure.

ELECTRICAL

Input

Dual-voltage input 120 or 277VAC @ 60Hz.

Sealed Nickel Cadmium Battery – NiCad (With Battery Only)

Extronix sealed nickel cadmium batteries are maintenance-free with a life expectancy of 15 years. Nickel cadmium batteries offer high discharge rates and continue to perform in a vast temperature range from 0-40 degrees C. NiCad technology provides long lasting, safe and reliable performance by utilizing the jelly-roll design and allows a Ni-Cad cell to deliver a much higher maximum current than an equivalent size alternative battery. As a relatively larger area of the electrode is in contact with the active material in each cell, the internal resistance for an equivalent sized NiCad cell is lower which increases the maximum current that can be delivered.

Emergency

The LEDRX series exit will operate for a minimum of 90 minutes during a loss of power with a 24 hour maximum recharge time for the battery.

Brownout Circuit

The brownout circuit monitors the flow of AC current to the unit and triggers the emergency lighting system once a set reduction of AC power occurs. This dip in the voltage will cause many fixtures to extinguish causing loss of normal lighting even though a total power failure has not occurred.

Low Voltage Disconnect

When the battery's terminal voltage falls below predetermined levels, the low-voltage circuit disconnects the emergency lighting load. The disconnect remains in effect until normal power is restored, preventing deep battery discharge and improving the life of the battery. The disconnect will also automatically reconnect the load circuit once the battery voltage returns to a normal value after charging.

Solid-State Transfer

The unit features a solid-state switching transistor which eliminates damaged contacts or mechanical failures associated with relays. The switching circuit is designed to detect a loss of AC power and automatically energizes the lamps. Upon restoration of the AC voltage, the emergency lamps will switch off and the charger will automatically recharge the battery.

Overload and Short-Circuit Protection

The solid-state overload monitoring system in the DC circuit disconnects the lamp load from the battery should excessive wattage demands be made and automatically resets when the overload or short-circuit is removed. This overload current protective characteristic eliminates the need for fuses or circuit breakers for the DC load.

Test Button

Our easily located test button allows for manual verification of proper operation of the transfer circuit and emergency lamps.

INSTALLATION

This emergency unit can be surface mounted utilizing a universal j-box mounting pattern and gasket provided.

Wet Location Rated

Wet location rated fixtures can be used in applications where moderate contact with water can be expected. Wet-location rated products are designed to be reasonably watertight; they require a seal around the base, canopy, or bracket to protect the electrical service from moisture.

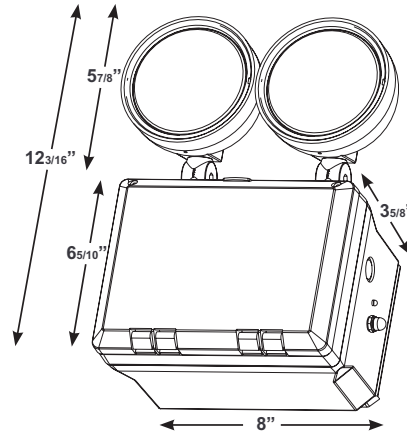
Remote Capable

The LED-RX provides an additional wattage of remote power for use with up to 3 CLED LED lamps.

CONFORMANCE TO CODES & STANDARDS

The LEDRX Series is UL listed and meets or exceeds the following: UL 924, NEC requirements and NFPA 101.

DIMENSIONS



REMOTE LAMPS (Order Separately)

FEATURES

- Each lamp contains 12 long lasting, efficient ultra-bright white LEDs
- For use with VLED-EL90 or CLED combo units only
- Wet location option available



Single Lamp with
Weatherproof (WP) Option



Double Lamp with
No Options

REMOTE ORDERING INFORMATION

Example: CLED

Series

CLED = Single Remote Lamp
2CLED = Double Remote Lamp

Options

WP = Weatherproof Applications

Order remote lamps as separate line item

Remote lamps with G2 option are compatible with LED combo units with G2 option only.