

Model Number:

Type:

Job:

Approvals:

FEATURES

- 6 and 12 volt systems
- Maintenance-free, sealed lead acid batteries
- Line latching feature prevents the unit from turning on during installation to a non-energized AC circuit
- Low voltage disconnect
- Temperature compensation and brown-out circuit
- High charge and AC ready
- LED indicator light
- 120/277 VAC
- 220 volt 50Hz operation available by special order
- Rugged 20 gauge steel housing
- Units available in white or black powder coated finish
- Short circuit protected
- Optional Time Delay
- Optional G2 Self-Test/Self-Diagnostics
- Knock outs on sides allow for side mounted lamp heads

CONFORMANCE TO CODES & STANDARDS

The LL6/12 Series is U.L. Listed and meets or exceeds the following: U.L. 924, N.E.C. requirements and N.F.P.A. 101.

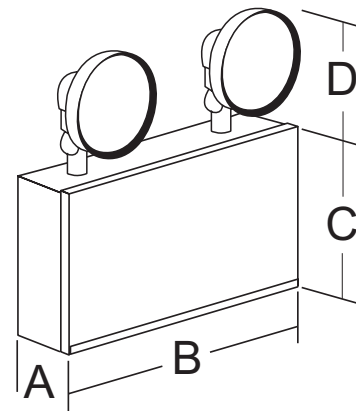
WARRANTY

Any component that fails due to manufacturer's defect is guaranteed for 1 year with a separate 5 year pro-rated warranty on the battery. The warranty does not cover physical damage, abuse or acts of God. Manufacturer reserves the right to charge for such repairs if deemed necessary.



The Steel Life-Lite Series combines performance and dependability into a rugged 20 gauge enclosure. Available in a wide variety of battery wattages and lamp styles to complement any application.

DIMENSIONS



	18-36W	54W	72-100W	150W
A	2.89"	2.94"	4.55"	4.55"
B	11.62"	13.29"	13.29"	16.09"
C	5.25"	8.00"	8.50"	8.50"
D	6.00"	6.00"	6.00"	6.00"

SPECIFICATIONS ARE SUBJECT
TO CHANGE WITHOUT NOTICE

ILLUMINATION

Illumination is accomplished with one or two thermoplastic or metal lamp heads mounted on top of the unit. The LL6 and the LL12 series can accommodate up to three lamp heads. Most often specified is Exitronix round thermoplastic 9 watt H.I.T. lamp heads.

HOUSING

Constructed of 20 gauge steel with a black or white corrosion resistant, epoxy powder coat finish. Easily mounted with universal knock-out pattern or shelf mounting. Includes a low profile test switch on side of unit.

ELECTRONICS

120/277 VAC dual voltage input with surge protected, solid state circuitry provides for a reliable charging system. Charging system is complete with low voltage disconnect, AC lockout, brownout protection, AC indicator lamp and test switch.

BATTERY

Maintenance-free, sealed Lead Acid Battery performs in an an operating temperature range of 65°F (19°C) to 85°F (30°C). Batteries supply 90 minutes of emergency power. Battery lockout circuit allows battery to be connected even when AC power is not available.

TIME DELAY OPTION

Our Time Delay option is programmed to keep the incandescent lamp heads illuminated for 15 minutes after the restoration of AC power. This time period may be factory modified to meet specific needs. Please specify either 120VAC or 277VAC input.

ORDERING INFORMATION

MODEL	WATTAGE	LAMP HEADS	# OF HEADS	HOUSING FINISH	OPTIONS
LL12 - 54 - T0607 - 2 - W - G2	6 Volt 18 27 36 54 <u>12 Volt</u> 54 72 100 125 150	<u>6V TUNGSTEN WEDGE BASE</u> T0607 = 7 Watt T0609 = 9 Watt <u>6V HALOGEN</u> T06H12 = 12 Watt <u>12V TUNGSTEN WEDGE BASE</u> T1209 = 9 Watt T1213 = 13 Watt T1218 = 18 Watt <u>12V SEALED BEAM HALOGEN</u> R12H08 = 8 Watt R12H12 = 12 Watt	0 = No Head 1 = 1 Head 2 = 2 Heads 3 = 3 Heads 4 = 4 Heads	B = Black W = White	G2 = Self Test/Self Diagnostics TD = Time Delay LC = 3' Line Cord

