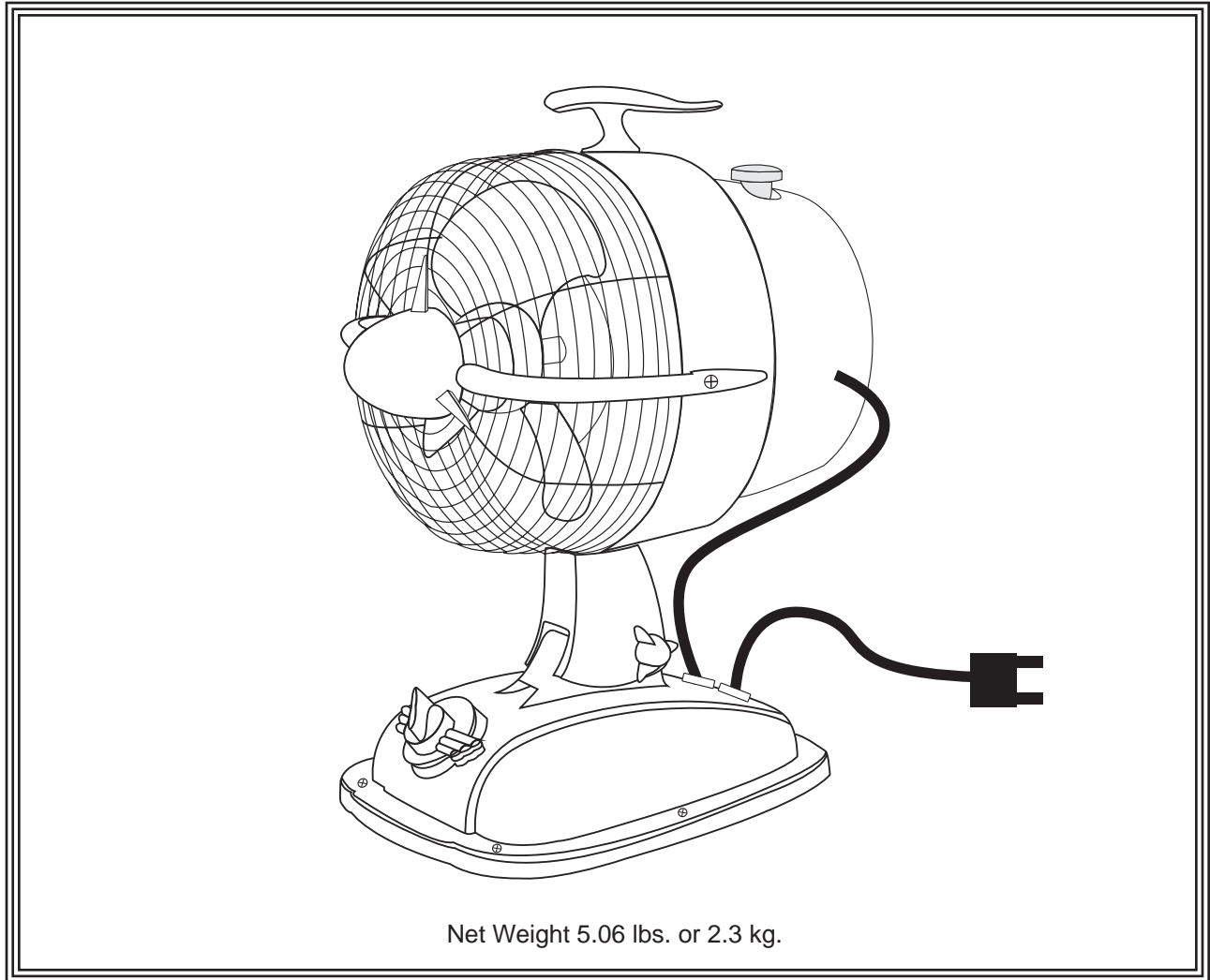


# The Urbanjet™

## Oscillating Desk Fan



Model No. FP7958\*\*

**OWNER'S MANUAL**  
READ AND SAVE THESE INSTRUCTIONS



# Important Safety Instructions

**WARNING:** To avoid fire, shock and serious personal injury, follow these instructions.

1. Read your owner's manual and safety information before installing your new fan. Review the accompanying assembly diagrams.
2. Before servicing or cleaning unit, switch power off at service panel and lock service panel disconnecting means to prevent power from being switched on accidentally. When the service disconnecting means cannot be locked, securely fasten a warning device, such as a tag, to the service panel.
3. Be careful of the fan and blades when cleaning, painting, or working near the fan. Always turn off the power to the fan before servicing.
4. Do not insert anything into the fan blades while the fan is operating.

# Additional Safety Instructions

**WARNING:** This product is designed to use only those parts supplied with this product and/or accessories designated specifically for use with this product. Using parts and/or accessories not designated for use with this product could result in personal injury or property damage.

**WARNING:** To reduce the risk of personal injury. Do not insert foreign objects in between rotating fan blades.

**WARNING:** Unplug the fan before maintenance and when the fan is not being used.

**WARNING:** Do not touch the fan and plug if your hands are wet.

**WARNING:** Do not unplug the fan by holding the power cord. Unplug the fan by holding the plug.

**WARNING:** Do not use the fan if the power cord or the plug is damaged, or if the power socket is loose.

**WARNING:** Do not make repairs when there is damage to the cord. Do not load the fan with dual power cords or bin the cord.

**WARNING:** Do not use the fan near any of the following: gas stove, any fire source, unusually humid or high temperature, oil soot with a lot of metal powder, obstacles affecting oscillating or outdoor.

**WARNING:** Do not insert hands or fingers into the fan grille, or the movable parts.

**WARNING:** Do not use the fan with any solid-state speed control device to reduce the risk of fire or electric shock.

**WARNING:** Place the fan on a smooth and level surface.

**WARNING:** Those who are not qualified electricians should not disassemble, repair or rebuild the fan.

# LIMITED LIFETIME WARRANTY

Extends to the original purchaser of a Fanimation Fan

1. **LIMITED LIFETIME MOTOR WARRANTY** - If any part of your fan motor fails, due to a defect in materials or workmanship during the lifetime of the original purchaser, Fanimation will provide the replacement part free of charge, when the defective fan is returned to our national service center. Proof of purchase is required. Customer shall be responsible for all costs incurred in the removal or reinstallation and shipping of the product for repairs or replacement.
2. **ONE YEAR MOTOR LABOR WARRANTY** - If your fan motor fails at any time within one year from the original purchase, due to defects in materials or workmanship, labor to repair the motor will be provided free of charge at our national service center. Purchaser will be responsible for labor charges after this one-year period. Customer shall be responsible for all costs incurred in the removal or reinstallation and shipping of the product for repairs or replacement.
3. If any other part of your fan fails at any time within one year after original purchase, due to a defect in materials or workmanship, we will repair, or replace, at our option, the defective part free of charge for parts and labor performed at our national service center.
4. Because of varying climate conditions, this warranty does not cover changes in the finish, including rusting, pitting, corroding, tarnishing, or peeling.
5. This warranty is void and does not apply to damage from improper installation, neglect, accident, misuse, exposure to extremes of heat or humidity, or as a result of any modification to the original product.
6. All costs of removal and reinstallation of the fan are the sole responsibility of the owner of the fan and not the store that sold the fan or Fanimation.
7. Fanimation reserves the right to modify or discontinue any product at any time and may substitute any part under this warranty.
8. Under no circumstances may a fan be returned without prior authorization from Fanimation. The receipt of purchase must accompany authorized returns and must be sent freight prepaid to Fanimation. The fan to be returned must be properly packed to avoid damage in transit; Fanimation will not be responsible for any damage resulting from improper packaging.
9. It is understood that any repair or replacement is the exclusive remedy available from Fanimation. There is no other expressed or implied warranty. Fanimation hereby disclaims any and all implied warranties, including, but not limited to those of merchantability and fitness for a particular purpose to the extent permitted by law. Some states do not allow limitations on implied warranties. Fanimation will not be liable for incidental, consequential, or special damages arising out of or in conjunction with product use or performance, except as may otherwise be accorded by law. This warranty gives you special legal rights and you may also have other rights that vary from state to state.
10. A certain amount of vibration is normal and should not be considered a problem or a defect.

# Table of Contents

<b>Electrical and Structural Requirements</b> .....	<b>3</b>
<b>How to Set Up Your Desk Fan</b> .....	<b>3</b>
<b>Maintenance</b> .....	<b>4</b>
<b>Service Parts</b> .....	<b>4</b>

# Electrical and Structural Requirements

## ELECTRICAL REQUIREMENTS

Table fan requires a grounded electrical supply line of 120 volts AC, 60 Hz, 15 amp circuit. 5 ½ ft power cord included. NOT for Damp Location Use.

## ⚠ WARNING

To avoid fire or shock, follow all wiring instructions carefully. Any electrical work not described in these instructions should be done or approved by a licensed electrician.

## How to Set Up Your Desk Fan

1. Carefully remove from package. Plug cord directly into the socket. (Figure 1)

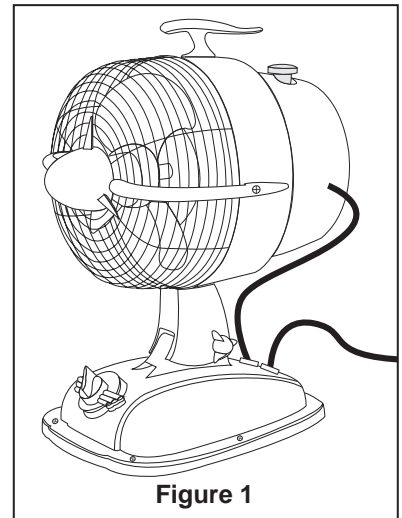


Figure 1

2. Select the desired airflow, located on fan base by rotating switch clockwise. (Figure 2)

The switch speeds are as follows:

- 0 = Stop
- 1 = Low
- 2 = Med
- 3 = High

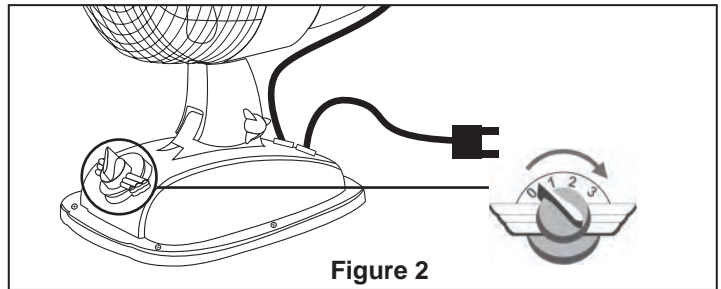


Figure 2

3. Pull up on the oscillating knob for non-oscillating operation. Push down on the oscillating knob for oscillating operation. (Figure 3)

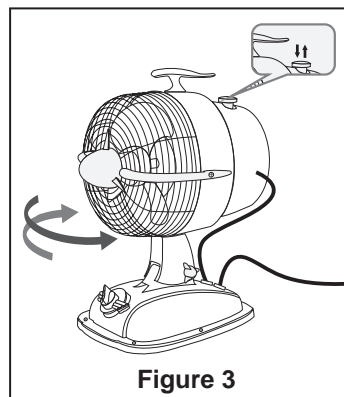


Figure 3

4. Turn the tilt angle adjusting knob on the fan's neck to the left on loosen and hold the fan head to adjust up and down to the desired tilt angle. Turn tilt angle adjusting knob to the right to tighten the fan head once your fan is at the desired tilt angle. (Figure 4)

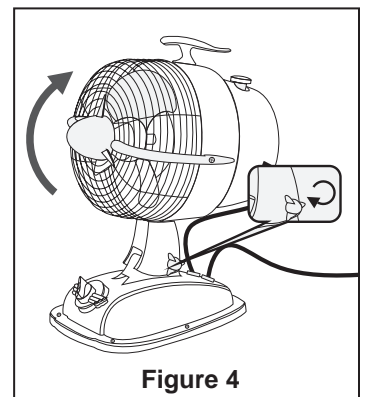


Figure 4

---

## Maintenance

1. To clean the fan, first unplug the fan from the socket, then clean it with a soft cloth.
2. Never wet or immerse the motor, oscillating mechanism, switch, power cord or plug.
3. To clean the fan blade, please remove the fan grille by loosening to the screws of grille. Please fit the cover onto the fan and tighten the screws of grille after maintenance and before use.

CAUTION
---------

<b>Do not use water when cleaning your fan. It could damage the motor or the finish and create the possibility of electrical shock.</b>
---

---

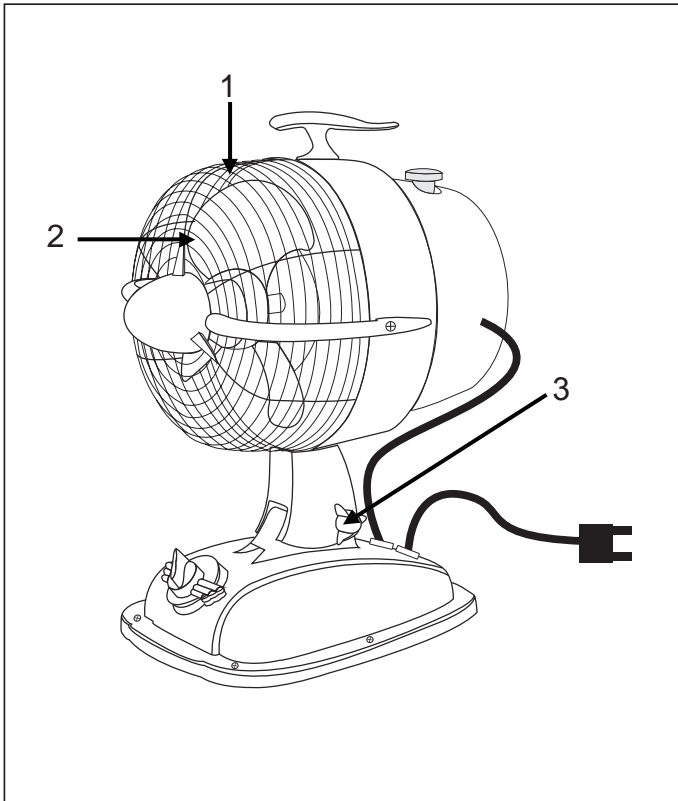
## Trouble Shooting

 WARNING
---

<b>For your own safety unplug your fan before trouble shooting.</b>
---

Trouble	Suggested Remedy
<b>Fan does not run after being switched on</b>	<ol style="list-style-type: none"><li>1. Check to see if the plug is securely connected to the socket.</li><li>2. Check to see if the plug is knotted or tangled.</li><li>3. Check to see if the fan blade and the guard are jammed.</li></ol>
<b>Blade rotats slowly, irregularly or with abnormal noises</b>	<ol style="list-style-type: none"><li>1. Check to see if the fan blade and the fan grille are securely fitted.</li><li>2. Check to see if the fan blade and the fan grille are locked.</li></ol>

## Service Parts



Urbanjet™ Fan – Model #FP7958**		
Ref #	Description	Part #
1	Fan grille	AP795801CH
2	Blade	AP795803BL
3	Tilt angle adjusting knob	P795810BL

### How To Order Parts

When ordering repair parts, always give the following information:

- Part Number
- Part Description
- Fan Model Number

Contact your retail store for repair parts.



10983 Bennett Parkway  
Zionsville, IN 46077  
(888) 567-2055  
FAX (866) 482-5215