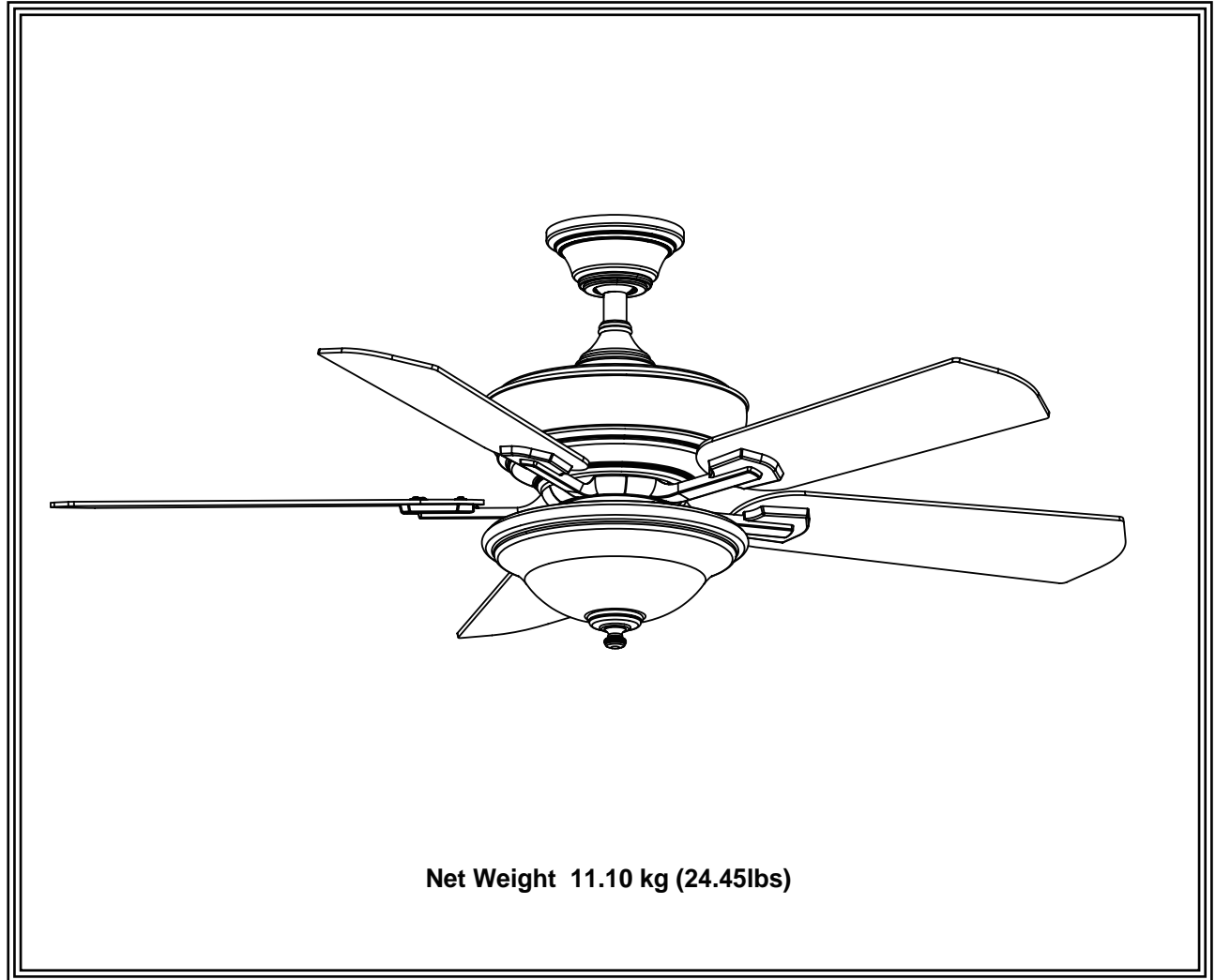


The CamhavenTM

Ceiling Fan



Model Nos. FP8095**

OWNER'S MANUAL
READ AND SAVE THESE INSTRUCTIONS



Important Safety Instructions

WARNING: To avoid fire, shock and serious personal injury, follow these instructions.

1. Read your owner's manual and safety information before installing your new fan. Review the accompanying assembly diagrams.
2. Before servicing or cleaning unit, switch power off at service panel and lock service panel disconnecting means to prevent power from being switched on accidentally. When the service disconnecting means cannot be locked, securely fasten a warning device, such as a tag, to the service panel.
3. Be careful of the fan and blades when cleaning, painting, or working near the fan. Always turn off the power to the ceiling fan before servicing.
4. Do not insert anything into the fan blades while the fan is operating.
5. Do not operate reversing switch until fan blades have come to a complete stop.

Additional Safety Instructions

1. To avoid possible shock, be sure electricity is turned off at the fuse box before wiring, and do not operate fan without blades.
2. All wiring and installation procedures must satisfy National Electrical Codes (ANSI/ NFPA 70-1999) and Local Codes. The ceiling fan must be grounded as a precaution against possible electrical shock. Electrical installation should be made or approved by a licensed electrician.
3. The fan base must be securely mounted and capable of reliably supporting at least 50 lbs. Consult a qualified electrician if in doubt.
4. The fan must be mounted with the fan blades at least 7 feet from the floor to prevent accidental contact with the fan blades.
5. Follow the recommended instructions for the proper method of wiring your ceiling fan. If you do not have adequate electrical knowledge or experience, have your fan installed by licensed electrician.

WARNING: To reduce the risk of fire or electric shock, this fan should only be used with Fan Speed Control Part No. UC7067RYL, manufactured by Rhine Electornic Co., Ltd.

WARNING: TO REDUCE THE RISK OF SHOCK, DO NOT USE THIS FAN WITH ANY SOLID-STATE SPEED CONTROL DEVICE.

WARNING: This product is designed to use only those parts supplied with this product and/or accessories designated specifically for use with this product. Using parts and/or accessories not designated for use with this product could result in personal injury or property damage.

WARNING: To reduce the risk of personal injury, do not bend the blade bracket (flange or blade holder) when installing the brackets, balancing the blades, or cleaning the fan. Do not insert foreign objects in between rotating fan blades.

WARNING: Mount to an outlet box marked acceptable for fan support.

This device complies with Part 15 of the FCC Rules. Operation is subject to the following two conditions:

(1) This device may not cause harmful interference, and (2) this device must accept any interference received, including interference that may cause undesired operation. If the intentional radiator can be classified as a Class B digital device or a PC peripheral, then shall include the following or equivalent:

Note: This equipment has been tested and found to comply with the limits for Class B digital device, pursuant to part 15 of the FCC Rules. These limits are designed to provide reasonable protection against harmful interference in a residential installation.

This equipment generates, uses and can radiate radio frequency energy and, if not installed and used in accordance with the instructions, may cause harmful interference to radio or television reception, which can be determined by turning the equipment off and on, the user is encouraged to try to correct the interference by one or more of the following measures:

- Reorient or relocate the receiving antenna.
- Increase the separation between the equipment and the receiver.
- Connect the equipment into an outlet on a circuit different from that to which the receiver is connected.

Consult the dealer or an experienced radio/TV technician for help.

Note: For a Class A digital device, statements of 15. 105(a) must be included when appropriate for the device in question.

LIMITED LIFETIME WARRANTY

Extends to the original purchaser of a Fanimation Fan

1. LIMITED LIFETIME MOTOR WARRANTY - If any part of your fan motor fails, due to a defect in materials or workmanship during the lifetime of the original purchaser, Fanimation will provide the replacement part free of charge, when the defective fan is returned to our national service center. Proof of purchase is required. Customer shall be responsible for all costs incurred in the removal or reinstallation and shipping of the product for repairs or replacement.
2. ONE YEAR MOTOR LABOR WARRANTY - If your fan motor fails at any time within one year from the original purchase, due to defects in materials or workmanship, labor to repair the motor will be provided free of charge at our national service center. Purchaser will be responsible for labor charges after this one-year period. Customer shall be responsible for all costs incurred in the removal or reinstallation and shipping of the product for repairs or replacement.
3. If any other part of your fan fails at any time within one year after original purchase, due to a defect in materials or workmanship, we will repair, or replace, at our option, the defective part free of charge for parts and labor performed at our national service center.
4. Because of varying climate conditions, this warranty does not cover changes in the finish, including rusting, pitting, corroding, tarnishing, or peeling.
5. This warranty is void and does not apply to damage from improper installation, neglect, accident, misuse, exposure to extremes of heat or humidity, or as a result of any modification to the original product.
6. All costs of removal and reinstallation of the fan are the sole responsibility of the owner of the fan and not the store that sold the fan or Fanimation.
7. Fanimation reserves the right to modify or discontinue any product at any time and may substitute any part under this warranty.
8. Under no circumstances may a fan be returned without prior authorization from Fanimation. The receipt of purchase must accompany authorized returns and must be sent freight prepaid to Fanimation. The fan to be returned must be properly packed to avoid damage in transit; Fanimation will not be responsible for any damage resulting from improper packaging.
9. It is understood that any repair or replacement is the exclusive remedy available from Fanimation. There is no other expressed or implied warranty. Fanimation hereby disclaims any and all implied warranties, including, but not limited to those of merchantability and fitness for a particular purpose to the extent permitted by law. Some states do not allow limitations on implied warranties. Fanimation will not be liable for incidental, consequential, or special damages arising out of or in conjunction with product use or performance, except as may otherwise be accorded by law. This warranty gives you special legal rights and you may also have other rights that vary from state to state.
10. A certain amount of wobble is normal and should not be considered a problem or a defect.

Table of Contents

Unpacking Instructions	4	Assembling Fan With the Light Kit	12
Energy Efficient Use of Ceiling Fans	5	Assembling Fan Without the Light Kit	14
Electrical and Structural Requirements	5	How to Operate Your Ceiling Fan	15
How to Assemble Your Ceiling Fan	6	Maintenance	15
How to Hang Your Ceiling Fan	8	Blade Cleaning	15
How to Wire Your Ceiling Fan	9	Parts List	16
Installing the Canopy Housing	10	Exploded-View Illustration	17
Assembling and Mounting the Fan Blades	11	Trouble Shooting	18

This Manual is Designed to Make it as Easy as Possible for You to Assemble, Install, Operate, and Maintain Your Ceiling Fan

Tools Needed for Assembly

- One Phillips head screwdriver
- One wire stripper
- One stepladder
- Four wire connectors (supplied)
- One 1/4" blade screwdriver

Materials

Wiring outlet box and box connectors must be of type required by local code. The minimum wire would be a 3-conductor (2-wire with ground) of the following size:

Installed Wire Length	Wire Size A.W.G.
Up to 50 ft.	14
50 - 100 ft.	12

NOTE: Place the parts from the loose parts bags in a small container to keep them from being lost. If any parts are missing, contact your local retailer.

⚠ WARNING

Before assembling your ceiling fan, refer to section on proper method of wiring your fan (page 9). If you feel you do not have enough wiring knowledge or experience, have your fan installed by a licensed electrician.

Unpacking Instructions

For your convenience, check-off each step. As each step is completed, place a check mark. This will ensure that all steps have been completed and will be helpful in finding your place should you be interrupted.

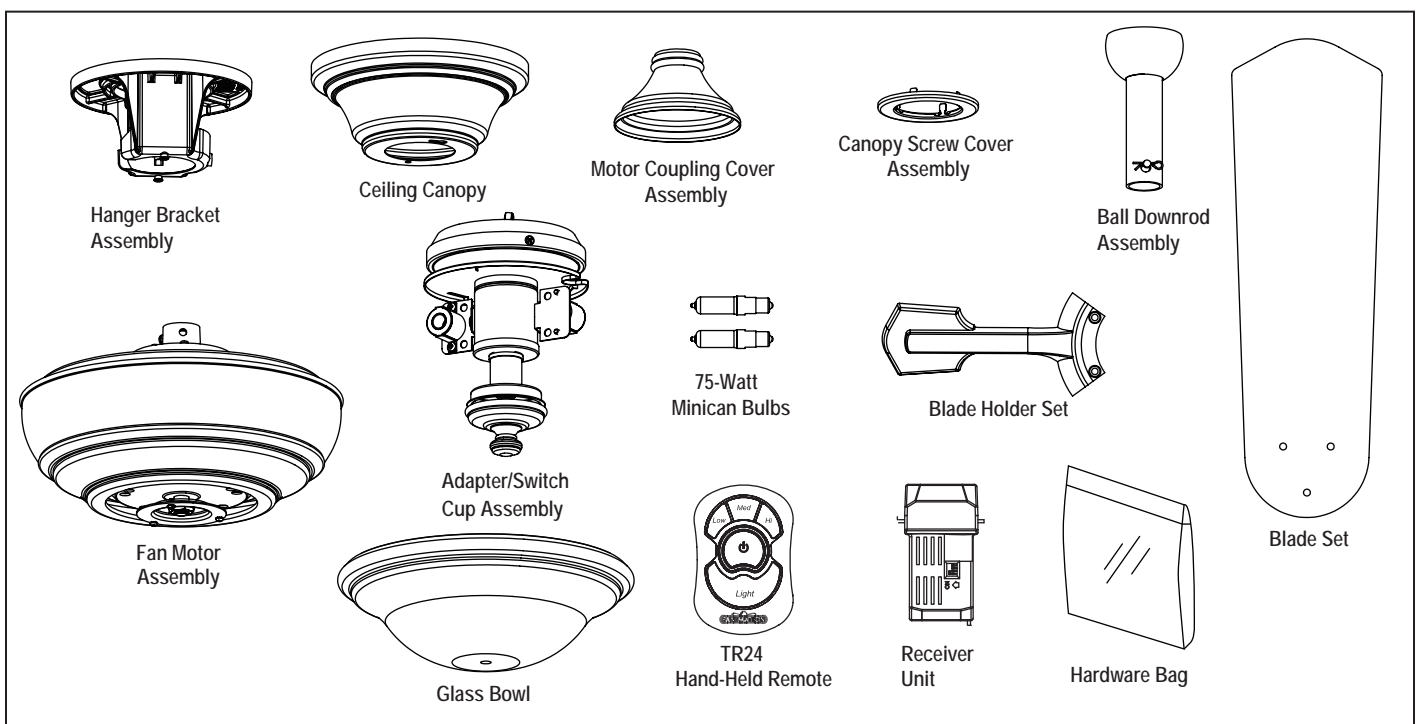
⚠ WARNING

Do not install or use fan if any part is damaged or missing. This product is designed to use only those parts supplied with this product and/or any accessories designated specifically for use with this product by Fanimation. Substitution of parts or accessories not designated for use with this product by Fanimation could result in personal injury or property damage. Contact your retail store for missing or damaged parts.

- Fan Motor Assembly
- Adapter/Switch Cup Assembly
- Hanger Bracket Assembly
- Ball Downrod Assembly
- Canopy
- Canopy Screw Cover Assembly
- Motor Coupling Cover Assembly
- Blade Holder Set
- Blade Set
- Glass Bowl
- Light Bulb
- Remote Hand Held
- Receiver Unit
- Hardware bags:
 - 3/16-24 x 8mm (blade to blade holder) Washer Head Screw
 - 3/16" Fiber Washer (blade to blade holder)
 - 1/8"-27 x 9.5 mm Phillips Screw
 - 1/4"-20 x 14mm (blade arm to motor) Pan Head Screw
 - Phillips Screwdriver, 4"
 - Wire Connectors
 - Balance Kit

1. Check to see that you have received the following parts:

NOTE: If you are uncertain of part description, refer to exploded view illustration. (Figure 1, page 16)



Energy Efficient Use of Ceiling Fans

Ceiling fan performance and energy savings rely heavily on the proper installation and use of the ceiling fan. Here are a few tips to ensure efficient product performance.

Choosing the Appropriate Mounting Location

Ceiling fans should be installed, or mounted, in the middle of the room and at least 7 feet above the floor and 18 inches from the walls. If ceiling height allows, install the fan 8 - 9 feet above the floor for optimal airflow. Consult your Fanimation Retailer for optional mounting accessories.

Turn Off When Not in the Room

Ceiling fans cool people, not rooms. If the room is unoccupied, turn off the ceiling fan to save energy.

Using the Ceiling Fan Year Round

Summer Season: Use the ceiling fan in the counterclockwise direction. The airflow produced by the ceiling fan creates a wind-chill effect, making you "feel" cooler. Select a fan speed that provides a comfortable breeze, lower speeds consume less energy.

Winter Season: Reverse the motor and operate the ceiling fan at low speed in the clockwise direction. This produces a gentle updraft, which forces warm air near the ceiling down into the occupied space. Remember to adjust your thermostat when using your ceiling fan - additional energy and dollar savings could be realized with this simple step!

Electrical and Structural Requirements

Your new ceiling fan will require a grounded electrical supply line of 120 volts AC, 60 Hz, 15 amp circuit. The outlet box must be securely anchored and capable of withstanding a load of at least 50 lbs. **Figure 1** depicts different structural configurations that may be used for mounting the outlet box.

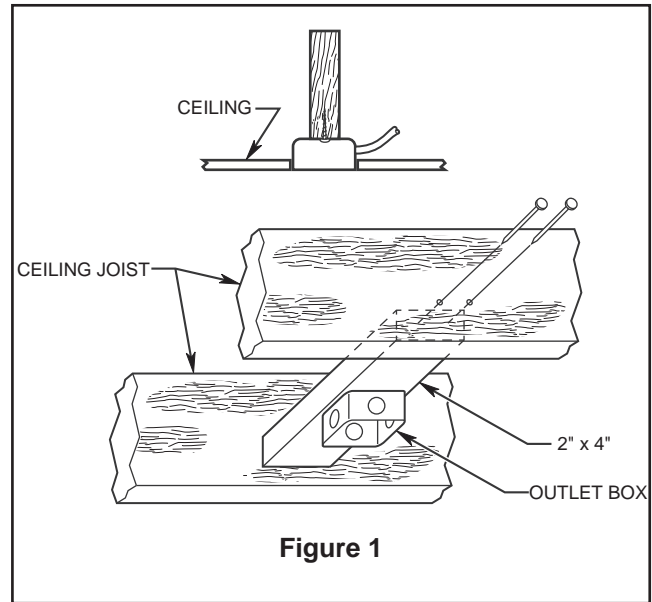
⚠ WARNING

To reduce the risk of fire, electrical shock, or personal injury, mount fan to outlet box marked acceptable for fan support of 22.7 kg (50 lbs) or less. Use screws supplied with outlet box. Most outlet boxes commonly used for support of light fixtures are not acceptable for fan support and may need to be replaced. Consult a qualified electrician if in doubt.

If your fan is to replace an existing light fixture, turn electricity off at the main fuse box at this time and remove the existing light fixture.

⚠ WARNING

Turning off wall switch is not sufficient. To avoid possible electrical shock, be sure electricity is turned off at the main fuse box before wiring. All wiring must be in accordance with National and Local codes and the ceiling fan must be properly grounded as a precaution against possible electrical shock.

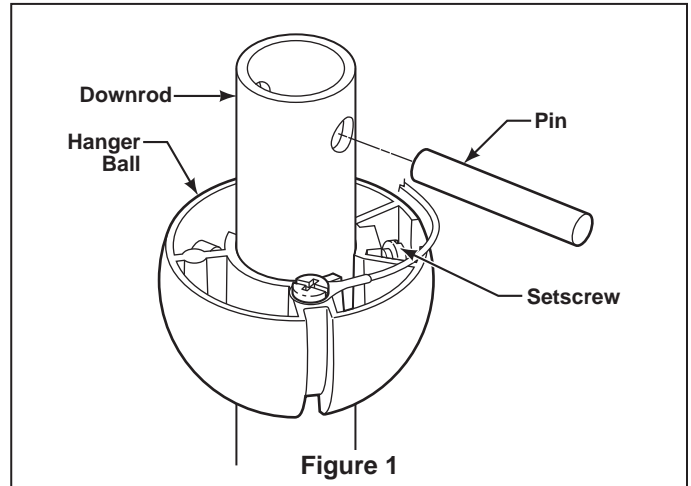


⚠ WARNING

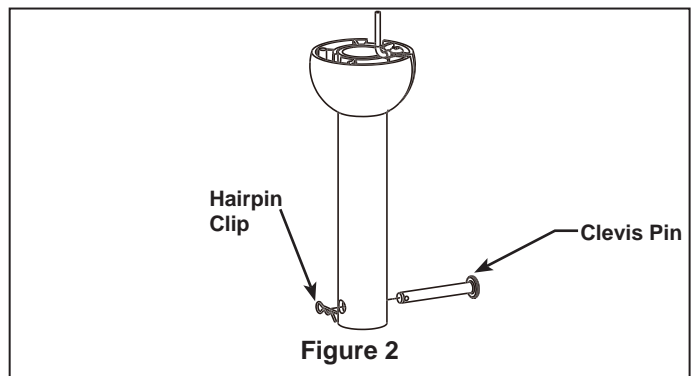
To avoid fire or shock, follow all wiring instructions carefully. Any electrical work not described in these instructions should be done or approved by a licensed electrician.

How to Assemble Your Ceiling Fan

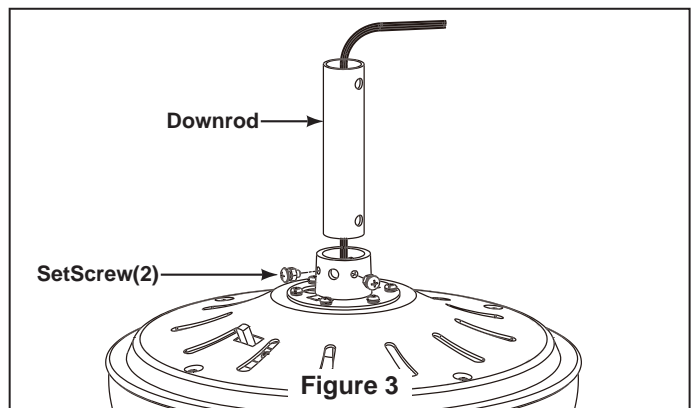
1. Remove the hanger ball portion from the downrod /hanger ball assembly by loosening the set screw in the hanger ball until the ball falls freely down the downrod. Remove the pin from the downrod, then remove the hanger ball. Retain the pin and hanger ball for reinstallation in Step 5 (Figure 1).



2. Remove the hairpin clip and clevis pin from the bottom of downrod. Retain the pin and clip for reinstallation in Step 4 (Figure 2).



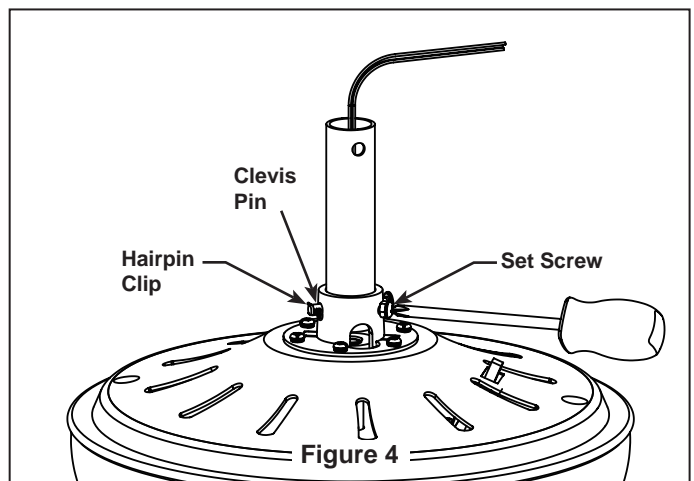
3. Loosen the two set screws in the downrod support. Route black, blue and white lead wires through the downrod (Figure 3).



4. Position downrod support and align the clevis pin holes in both parts. Install the clevis pin and secure with the hairpin clip. Tighten the two set screws and locking nuts in the downrod support (Figure 4).

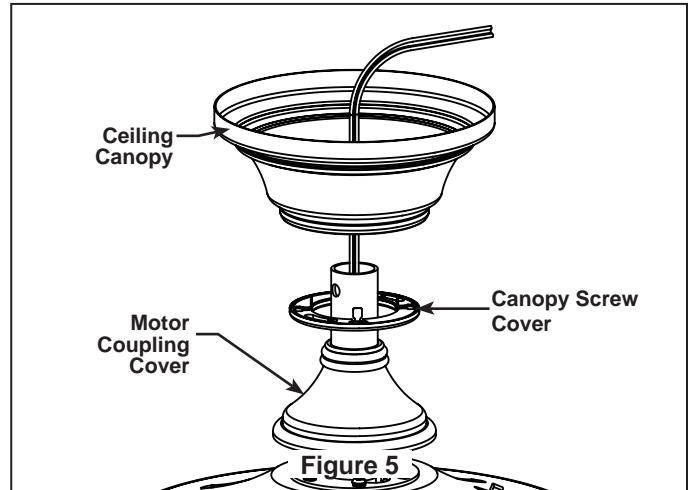
⚠ WARNING

It is critical that the clevis pin in the downrod support is properly installed and the setscrews and nuts are securely tightened. Failure to verify that the clevis pin, hairpin clip, setscrews and nuts are properly installed could result in the fan falling.

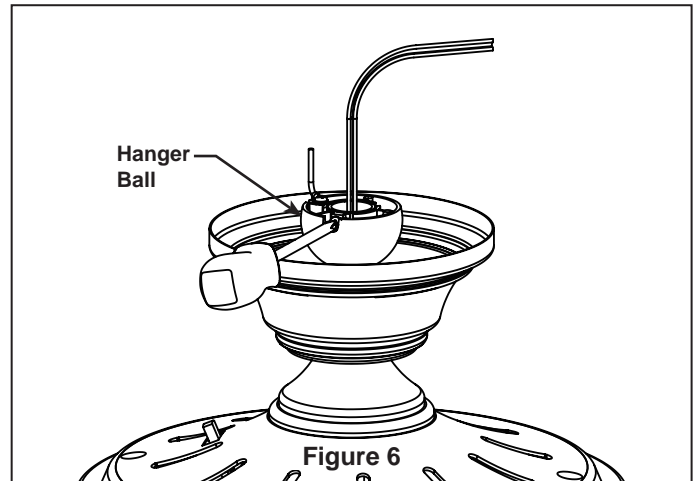


How to Assemble Your Ceiling Fan (continued)

5. Route wires through motor coupling cover, canopy screw cover and ceiling canopy. (Figure 5)

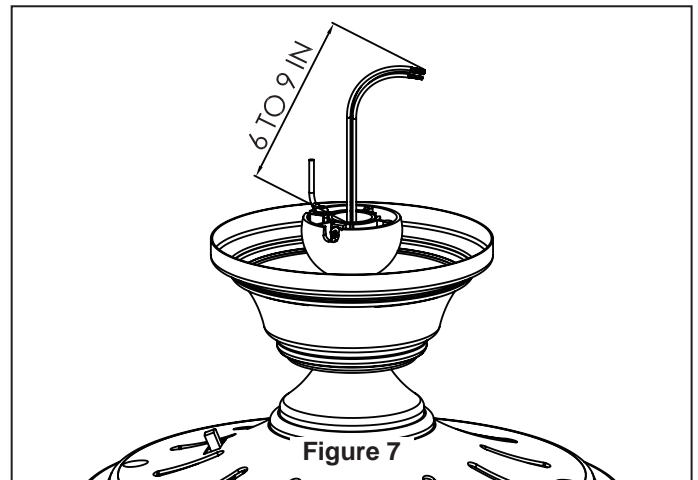


6. Reinstall the hanger ball on the downrod as follows. Route the three 80 in. wire through the hanger ball. Position the pin through the two holes in the downrod and align the hanger ball so the pin is captured in the groove in the top of the hanger ball. Pull the hanger ball up tight against the pin. Securely tighten the set screw in the hanger ball. A loose set screw could create fan wobble. (Figure 6)



7. Cut off excess lead wire approximately 6 to 9 inches above top of the top of the downrod. Strip insulation 1/2 inch from the end of each lead wire. (Figure 7)

NOTE: All set screws must be checked, and retightened where necessary, before installation.



How to Hang Your Ceiling Fan

⚠ WARNING

To avoid possible electrical shock, be sure electricity is turned off at the main fuse box before hanging.
NOTE: If you are not sure if the outlet box is grounded, contact a licensed electrician for advice, as it must be grounded for safe operation.

⚠ WARNING

The fan must be hung with at least 7' of clearance from floor to blades (Figure 8)

⚠ WARNING

The outlet box must be securely anchored and capable of withstanding a load of at least 50 lbs. Hanger bracket must seat firmly against outlet box. If the outlet box is recessed, remove wallboard until bracket contacts box. If bracket and/or outlet box are not securely attached, the fan could wobble or fall.

1. Securely attach the hanger bracket to the outlet box using the outlet box screws and washers supplied with the outlet box (Figure 9).

NOTE: Outlet box screws pass through slotted holes of the hanger bracket (Figure 9).

2. Pull the electric wires in the outlet box down through the opening in the hanger bracket and bend wires up and out of the way so that the hanger ball will easily fit into the hanger bracket.

3. Carefully lift the fan and seat the downrod/hanger ball assembly on the hanger bracket that was just attached to the outlet box (Figure 10). Be sure the groove in the ball is lined up with tab on the hanger bracket (Figure 9).

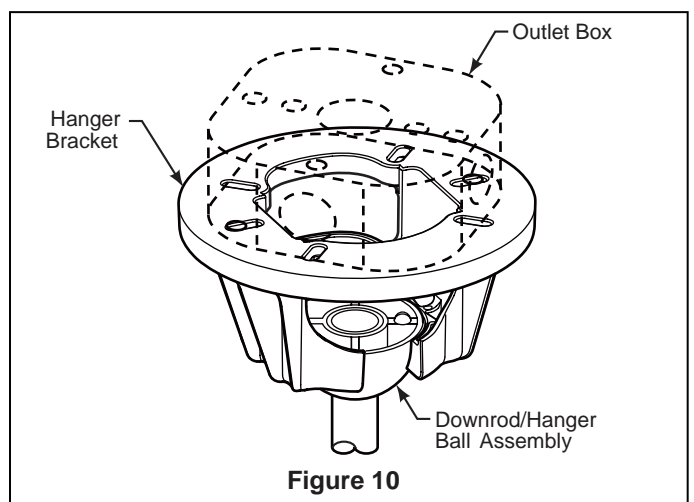
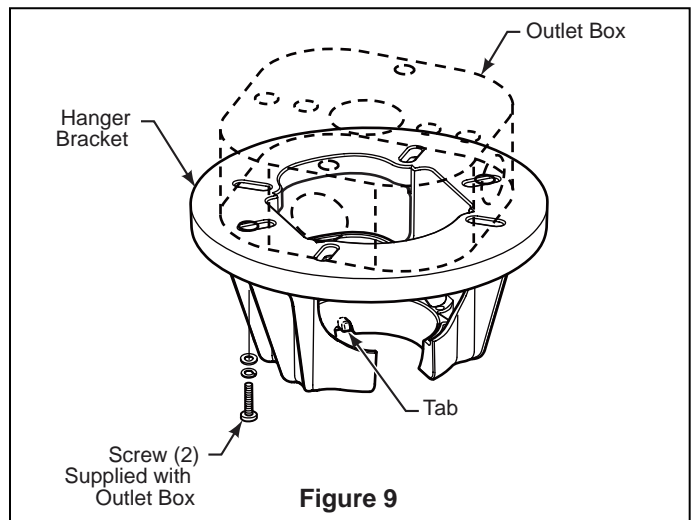
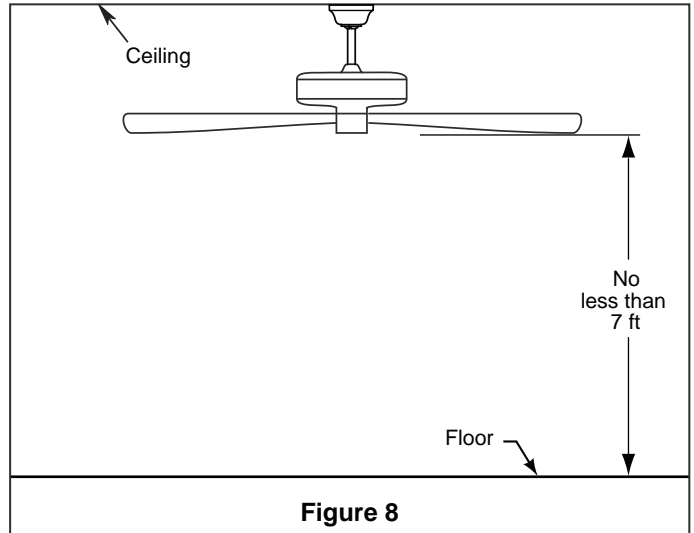
4. After splicing, the wiring should be turned upward and pushed carefully up into the outlet box.

⚠ WARNING

Failure to seat tab in groove could cause damage to electrical wires and possible shock or fire hazard.

⚠ WARNING

To avoid possible shock, do not pinch wires between the downrod/hanger ball assembly and the hanger bracket.



How to Wire Your Ceiling Fan

WARNING

To avoid possible electrical shock, be sure electricity is turned off at the main fuse box before wiring.

NOTE: If you are not sure if the outlet box is grounded, contact a licensed electrician for advice, as it must be grounded for safe operation. (Figure 11)

NOTE: The hand-held remote included with this fan has 16 different code combinations. To prevent possible interference from or to other remote units, simply change the combination code in your transmitter and receiver.

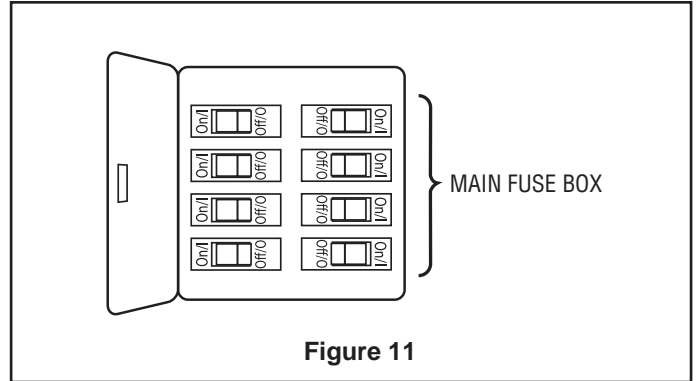


Figure 11

- 1. To set the transmitter code, remove battery cover by pressing firmly below arrow and sliding cover off. Slide code switches to your choice of up or down position. Factory setting is all up. Do not use this position. With a small screwdriver or ball point pen slide firmly up or down. Replace battery cover on the transmitter (Figure 12).

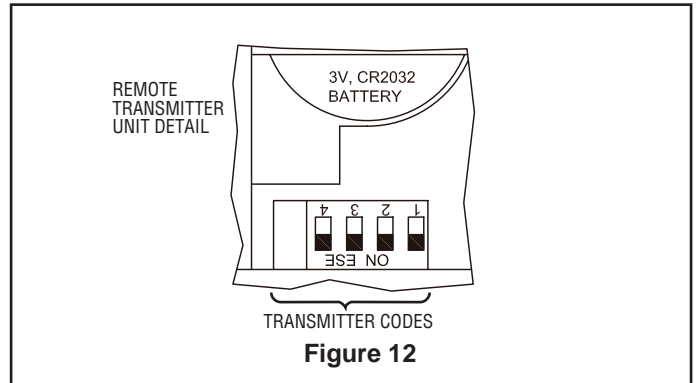


Figure 12

- 2. To set the receiver unit code, slide code switches to the same positions as set on your transmitter (Figure 13).

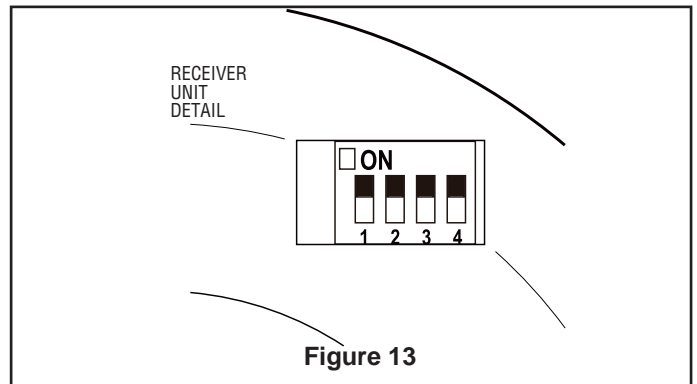


Figure 13

- 3. Slide the receiver unit into the open end of the hanger bracket (Figure 14).

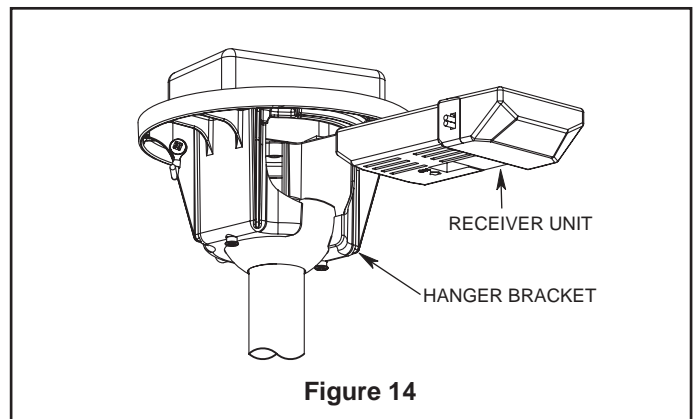


Figure 14

How to Wire Your Ceiling Fan (continued)

4. Connect green wires from hanger bracket and hanger ball to bare (ground) wire using wire connector supplied. Connect black wire from receiver unit marked "AC IN L" to black supply wire using wire connector supplied. Connect white wire from receiver unit marked "AC IN N" to white supply wire using wire connector supplied. Connect white wire from receiver unit marked "TO MOTOR N" to white wire from fan using wire connector supplied with receiver. Connect black wire from receiver unit marked "TO MOTOR L" to black wire from fan using wire connector supplied. Connect blue wire from receiver to the blue fan light wire using wire connector supplied. (Figure 15)

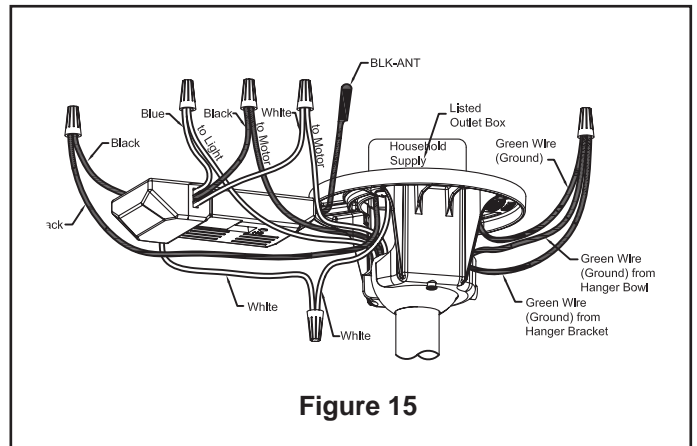


Figure 15

HARDWARE USED:

WIRE CONNECTORS  x 6

5. After connections have been made, turn leads upward and carefully push leads into the outlet box, with the white and green leads to one side of the box and the black leads towards the other side. The wires should be spread apart with the grounded conductor and the equipment-grounding conductor on one side of the outlet box and the ungrounded conductor on the other side of the outlet box (Figure 16).

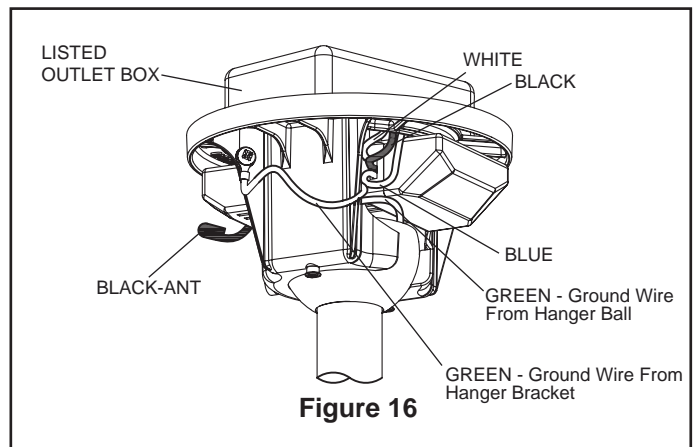


Figure 16

Installing the Canopy Housing

NOTE: This step is applicable **after** the necessary wiring is completed.

⚠ WARNING

To avoid possible fire or shock, make sure that the electrical wires are completely inside the canopy housing and not pinched between the housing and the ceiling.

1. Remove one of the two shoulder screws in the hanger bracket. Loosen the second shoulder screw without fully removing it. Assemble canopy by rotating key slot in canopy over shoulder screw in hanger bracket. Tighten shoulder screw. Fully assemble and tighten second shoulder screw that was previously removed (Figure 17a).
2. Securely attach and tighten the canopy screw cover over the shoulder screws in the hanger bracket utilizing the keyslot twist-lock feature (Figure 17b).

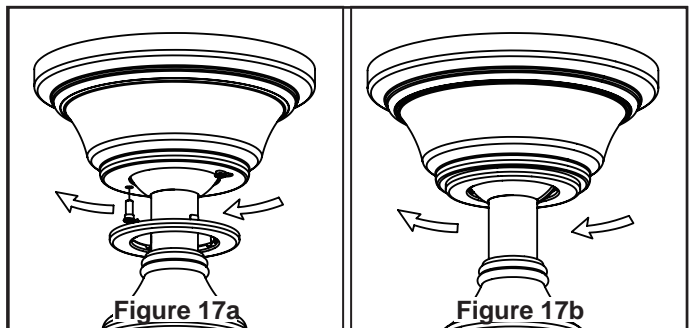


Figure 17a

Figure 17b

Assembling and Mounting the Fan Blades

1. Position the blade over the blade holder with threaded posts showing. Make sure the bottom edge of the blade is fully seated against the blade arm. With a phillips screwdriver, tighten 3/16-24 x 8 mm washer head screws and fiber washers to secure the blade to the blade arm. (Figure 18)

CAUTION

Do not connect fan blades until the fan is completely installed. Installing the fan with blades assembled may result in damage to the fan blades.

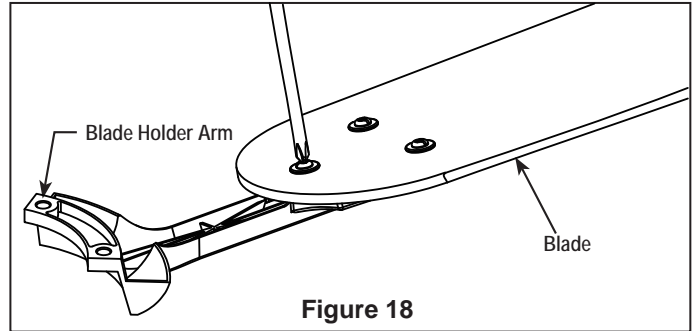


Figure 18

HARDWARE USED:

3/16-24x8 mm
WASHER HEAD
SCREWS x 15

FIBER WASHER x 15

2. Remove and discard the motor stops from the motor assembly by removing the screws. (Figure 19)

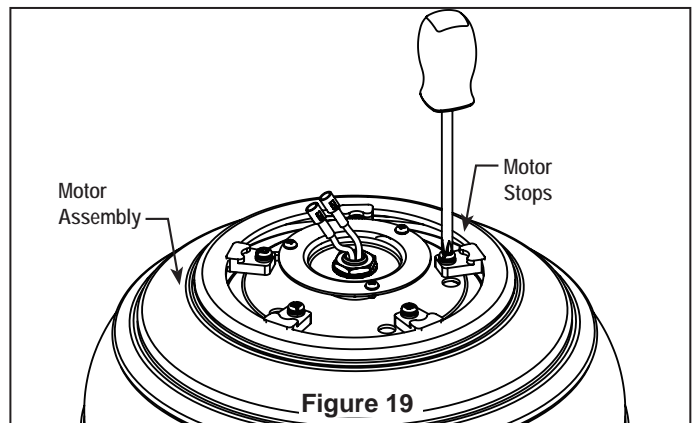


Figure 19

3. Secure the blade holders to the motor support using the 1/4-20 x 14 mm screws through the holes located on the side of the motor support (Figure 20).

NOTE: Periodically check blade holder hardware and resecure if necessary.

⚠ WARNING

To reduce the risk of personal injury, do not bend the blade holders when installing, balancing the blades or cleaning the fan. Do not insert foreign objects in between the rotating blades.

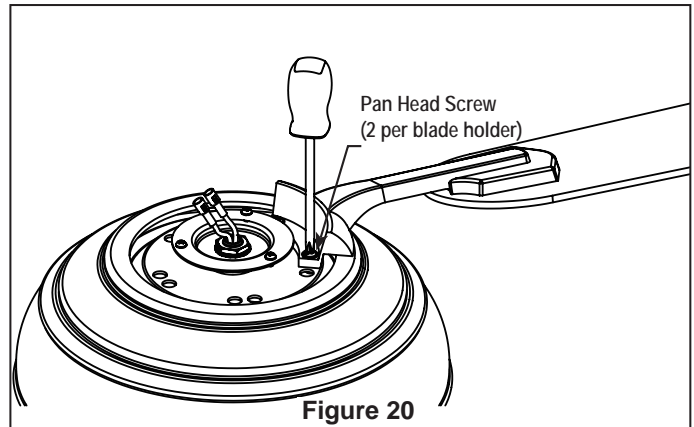


Figure 20

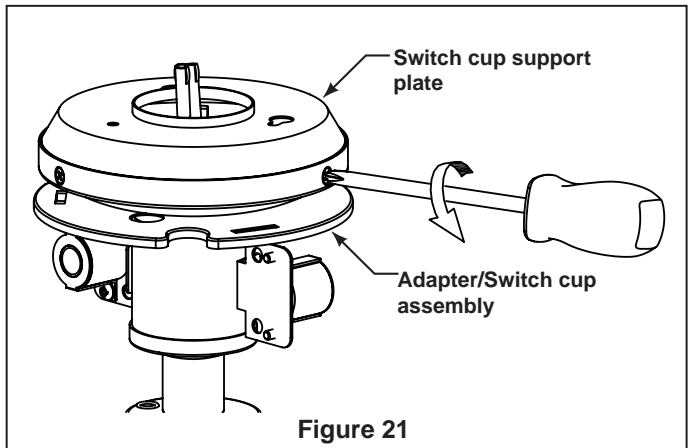
HARDWARE USED:

1/4-20x14 mm
Pan Head Screw x 10

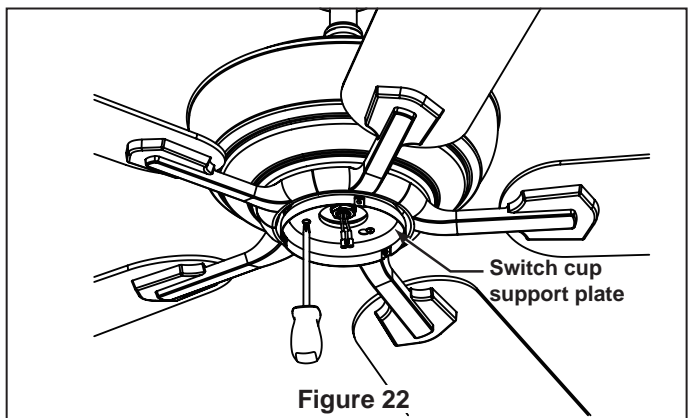
Assembling Fan With the Light Kit

NOTE: If you are assembling your fan without the light kit, please skip to page 14 of this manual.

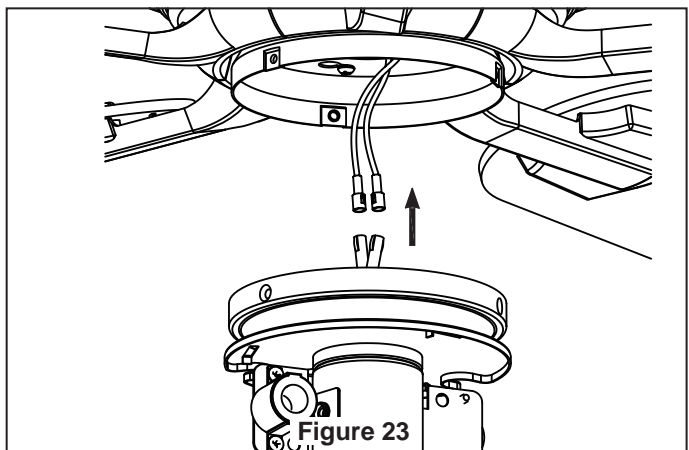
1. Disassemble the adapter/switch cup assembly from the switch cup support plate by removing three screws. (Figure 21)



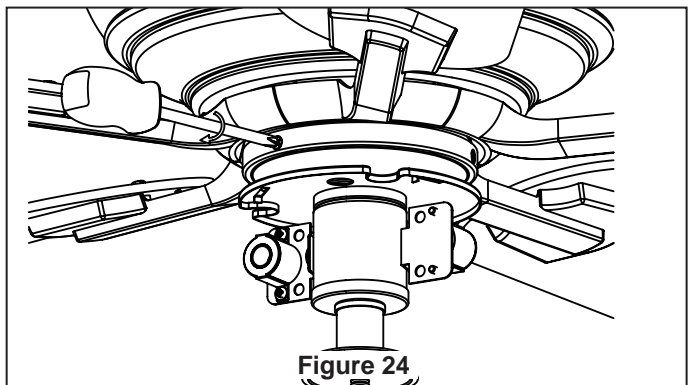
2. Remove one of the three screws in the support bracket at the bottom of the motor assembly. Slightly loosen the remaining two screws. Assemble the switch cup support plate to the support bracket using the two key slots in the socket plate. Replace the third screw and securely tighten all three screws (Figure 22).



3. Connect the 2-pin connector from motor assembly to the 2-pin connector from the adapter/switch cup assembly. (Figure 23)



4. Assemble the adapter/switch cup assembly onto the assembled switch cup support plate with three screws. (Figure 24)

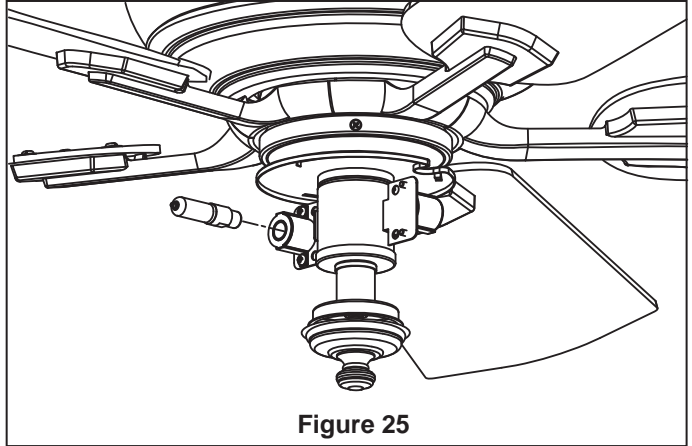


Assembling Fan With the Light Kit (continued)

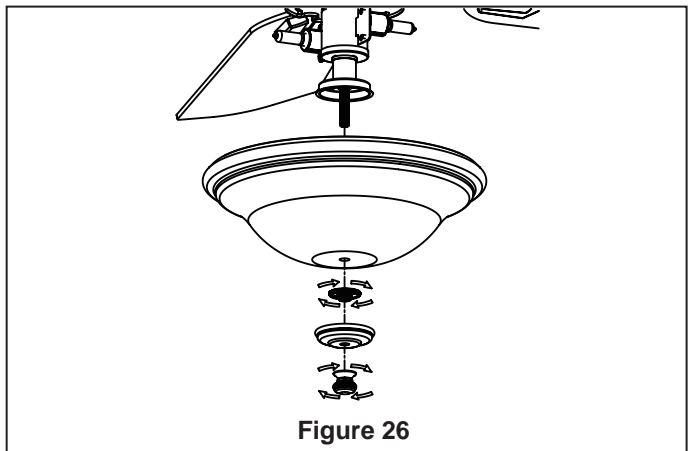
5. Install included minican bulbs into each of the two sockets. (Figure 25)

CAUTION

To reduce the risk of fire, use 75-watt max. type T4-minican JD E11 tungsten halogen bulb. Turn off the wall switch and allow the bulb to cool for 10 minutes before relamping. Bulb is pressurized and may shatter. **DO NOT TOUCH BULB WITH BARE HANDS.** Fingerprints may result in shorter bulb life. Remove fingerprints with alcohol prior to use.



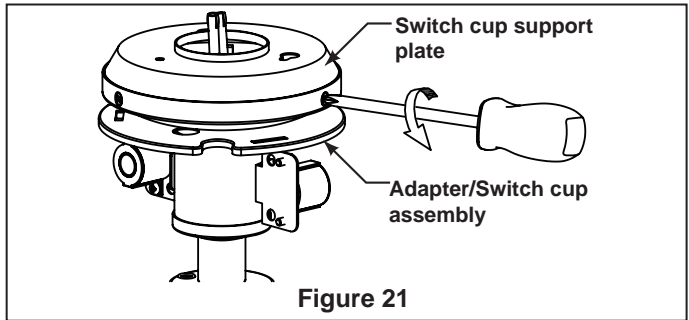
6. Disassemble the finial, trim cover and nut. Then secure glass bowl to light fitter using supplied nut. Next, install trim cover followed by the finial. Do not over tighten. (Figure 26)



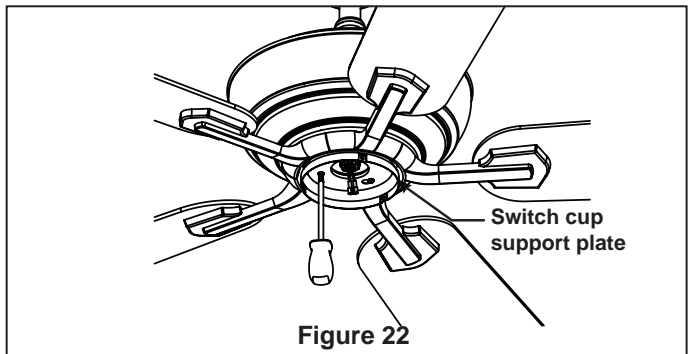
Assembling Fan Without the Light Kit

NOTE: Continue to page 15 if you have assembled your fan with the light kit.

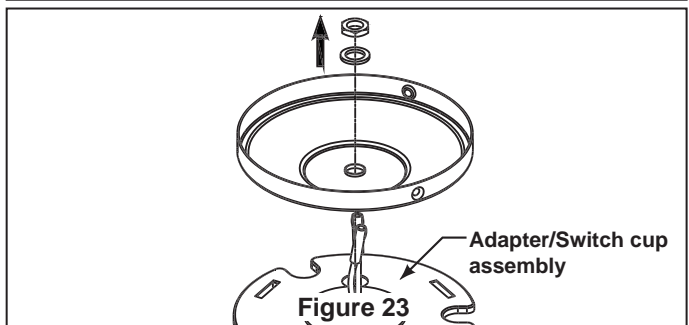
1. Disassemble the adapter/switch cup assembly from the switch cup support plate by removing three screws. (Figure 21)



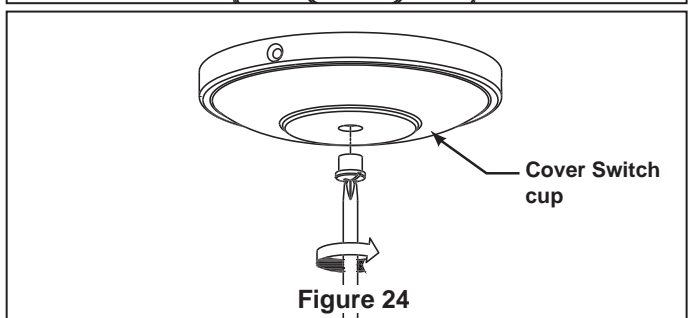
2. Remove one of the three screws in the support bracket at the bottom of the motor assembly. Slightly loosen the remaining two screws. Assemble the switch cup support plate to the support bracket using the two key slots in the socket plate. Replace the third screw and securely tighten all three screws (Figure 22).



3. Remove the hex nut and spring washer from the adapter/switch cup assembly. (Figure 23)

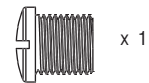


4. Tighten the screw into the cover switch cup. (Figure 24)

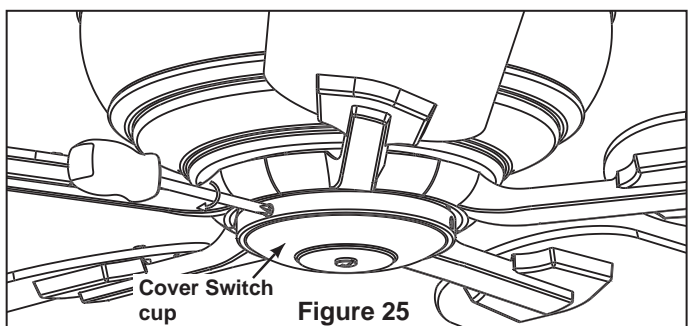


HARDWARE USED:

1/8"-27x 9.5 mm
PHILLIPS SCREW




5. Assemble the cover switch cup onto the assembled switch cup support plate with three screws. (Figure 25)



How to Operate Your Ceiling Fan

- 1. Restore electrical power to the outlet box by turning the electricity on at the main fuse box (Figure 27).

 WARNING
<p>Check to see that all connections are tight, including ground, and that no bare wire is visible at the wire connectors, except for the ground wire. Do not operate fan until the blades are in place. Noise and fan damage could result.</p>

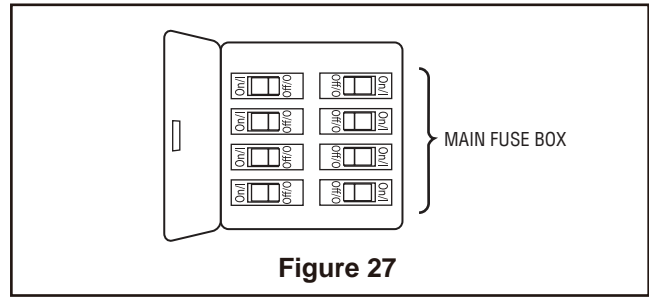


Figure 27

- 2. To make fan operational, install two 3-volt batteries in hand-held remote transmitter, (if not using for long periods of time, remove battery to prevent damage to transmitter). Store the remote away from excessive heat or humidity (Figure 28).

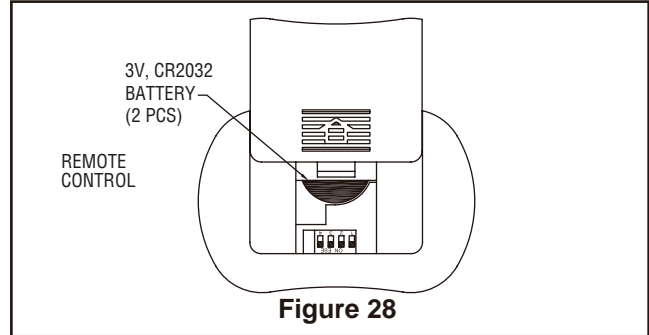


Figure 28

- 3. The 5-button hand-held remote transmitter includes five buttons for high, medium and low fan speeds as well as fan off and light on/off. Infinite light levels are available by holding the light on/off button (Figure 29).

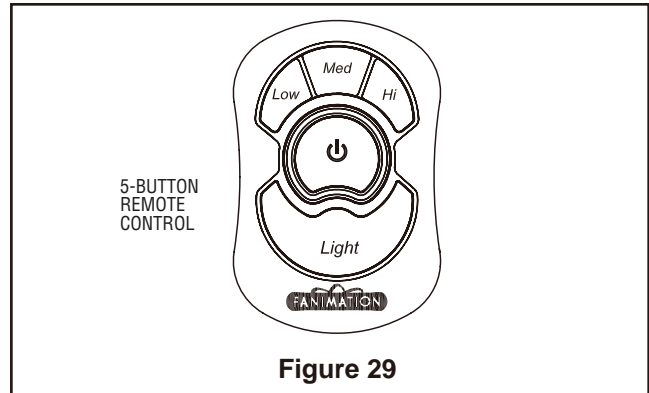


Figure 29

- 4. If airflow is desired in the opposite direction, turn the fan off and wait for the blades to stop turning. Then slide the reverse switch on top of motor assembly to the opposite position and turn fan on again (Figure 30).

Reverse Switch Information		
Season	Rotation Direction	Switch Position
Summer	Counter-Clockwise	Left
Winter	Clockwise	Right

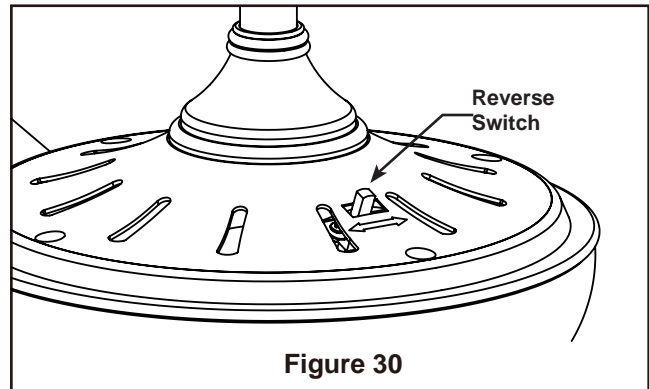


Figure 30

Maintenance

- 1. Periodic cleaning of your new ceiling fan is the only maintenance that is needed. When cleaning, use only a soft brush or lint free cloth to avoid scratching the finish. Abrasive cleaning agents are not required and should be avoided to prevent damage to finish.

CAUTION
<p>Do not use water when cleaning your ceiling fan. It could damage the motor or the finish and create the possibility of electrical shock.</p>

Blade Cleaning

Periodic light dusting of the blades is recommended. A feather duster will work best.

Avoid using water, cleansers, or harsh rags, which can warp and ruin the finish.

Parts List

Model #FP8095**

Ref.#	Description	Part #
1	Hanger Bracket Assembly	AP255BL
2	Ball Downrod Assembly (4.5)	ADR1-45**
3	Canopy	PG809501**
4	Canopy Screw Cover Assembly	AP260**
5	Motor Coupling Cover Assembly	AP809502**
6	Fan Motor Assembly	AMA8095**
7	Blade Holders Set (5)	AP809514**
8	Blade Set (5)	AP809552MHWA
		AP809552CYWA
9	75W E11 Minican Light Bulb (2)	PPE11B75
10	Adapter/Switch Cup Assembly	AP809505**
11	Glass Bowl	P809507FW
12	Hand Held Remote	TR24WH
13	Receiver	RECAN44
14	<i>Hardware Bag Containing:</i>	HDWFP8095**
	Balance Kit (BALKT)	
	Wire Connectors (4)	
	1/8"-27 x 9.5 mm Phillips Screw	
	<i>Blade Mounting Hardware Bag Containing:</i>	
	3/16-24 x 8 mm Washer Head Screws with Fiber Washers (16 pcs)	
	4" Phillips Screwdriver	
	<i>Blade Holder Mounting Hardware Bag Containing:</i>	
1/4-20 x 14 mm Pan Head Screw (11 pcs)		

***Refer to fan model number located on down rod support*

Before discarding packaging materials, be certain all parts have been removed

How To Order Parts
When ordering repair parts, always give the following information: <ul style="list-style-type: none"> • Part Number • Part Description • Fan Model Number Contact your retail store for repair parts.

The Camhaven™ - FP8095** Exploded-View

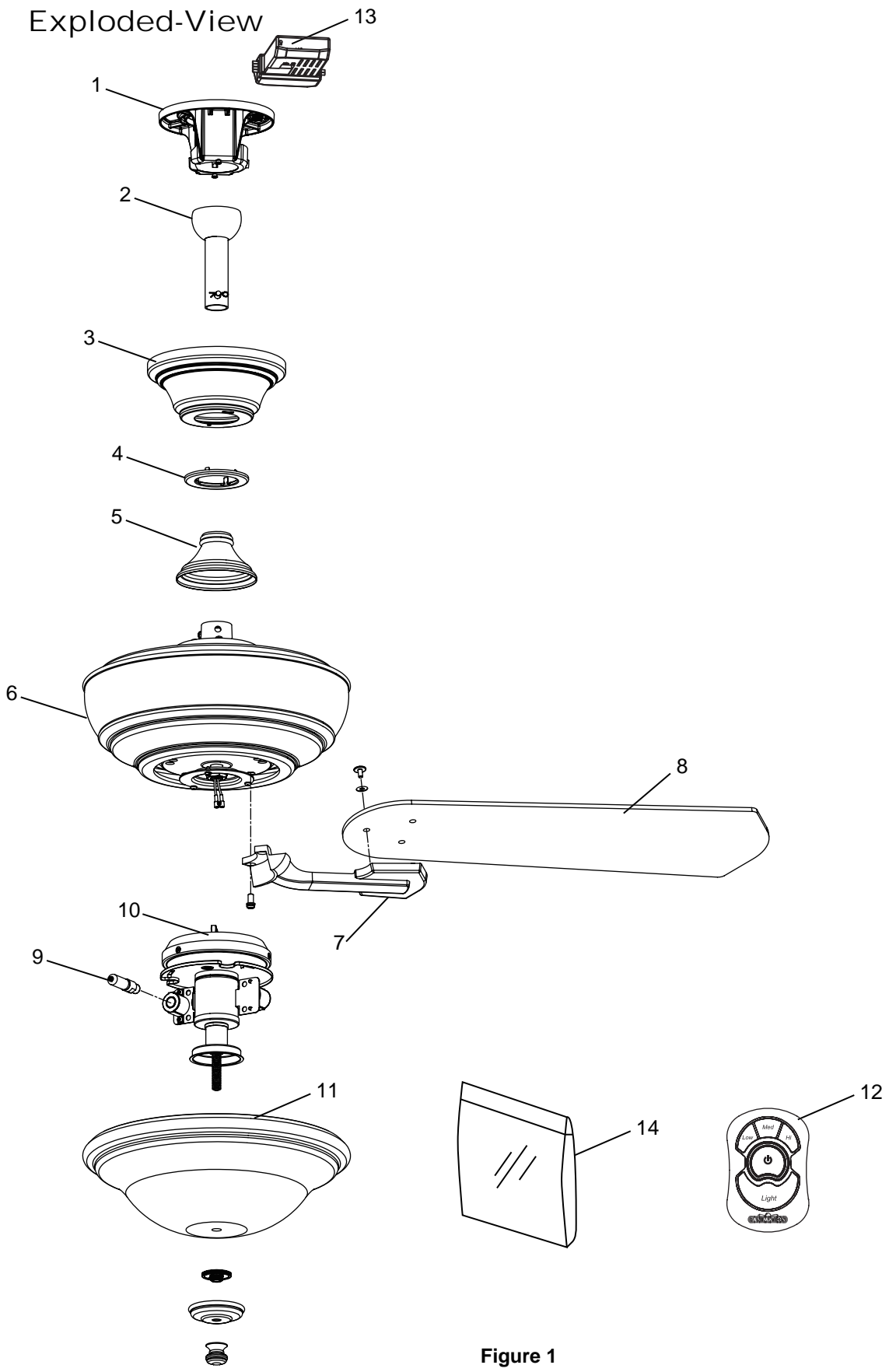


Figure 1

NOTE: The illustration shown is not to scale or its actual parts configuration may vary

Trouble Shooting

⚠ WARNING

For your own safety turn off power at fuse box or circuit breaker before trouble shooting your fan.

Trouble	Probable Cause	Suggested Remedy
1. FAN WILL NOT START	<ol style="list-style-type: none"> 1. Fuse or circuit breaker blown. 2. Loose power line connections to the fan, or loose switch wire connections in the switch housing. 3. Frequency switches not sync. 4. Dead battery in remote control. 	<ol style="list-style-type: none"> 1. Check main and branch circuit fuses or circuit breakers. 2. Check line wire connections to fan and switch wire connections in the switch housings. <p>CAUTION: Make sure main power is turned off !</p> <ol style="list-style-type: none"> 3. Make sure reversing switch position is all the way to one side. 4. Replace with fresh battery.
2. FAN SOUNDS NOISY	<ol style="list-style-type: none"> 1. Blades not attached to fan. 2. Loose screws in motor housing. 3. Screws securing fan blade holders to motor hub are loose. 4. Wire connectors inside housing rattling. 5. Motor noise caused by solid state variable speed control. 6. Screws holding blades to blade holders are loose. 	<ol style="list-style-type: none"> 1. Attach blades to fan before operating. 2. Check to make sure all screws in motor housing are snug (not over-tight). 3. Check to make sure the screws which attach the fan blade holders to the motor hub are tight. 4. Check to make sure wire connectors in switch housing are not rattling against each other or against the interior wall of the switch housing. <p>CAUTION: Make sure main power is turned off !</p> <ol style="list-style-type: none"> 5. Some fan motors are sensitive to signals from solid-state variable speed controls. Solid-state controls are not recommended, choose an alternative control method. 6. Tighten screws securely.
3. FAN WOBBLER EXCESSIVELY	<ol style="list-style-type: none"> 1. Setscrew and nut in downrod support is loose. 2. Setscrew in downrod/hanger ball assembly is loose. 3. Screws securing fan blade holders to motor hub are loose. 4. Blade holders not seated properly. 5. Hanger bracket and/or ceiling outlet box is not securely fastened. 6. Fan blades out of balance. 	<ol style="list-style-type: none"> 1. Tighten both setscrews and nuts securely in downrod support. 2. Tighten the setscrew in the downrod/hanger ball assembly. 3. Check to be sure screws which attach the fan blade holders to the motor hub are tight. 4. Check to be sure the fan blade holders seat firmly and uniformly to the surface of the motor housing. If holders are seated incorrectly, loosen the screws and retighten. 5. Tighten the hanger bracket screws to the outlet box, and secure outlet box. 6. Interchanging position of fan blades can redistribute the weight and result in a smoother operation. For example, exchange blades in positions 1 and 3 or 1 and 4. If this does not improve wobble, exchange 2 and 4 or 2 and 5.
4. NOT ENOUGH AIR MOVEMENT		<ol style="list-style-type: none"> 1. If possible, consider using a longer downrod. For example, use a 12" downrod instead of the 6" downrod that comes with your fan.



10983 Bennett Parkway
Zionsville, IN 46077
(888) 567-2055

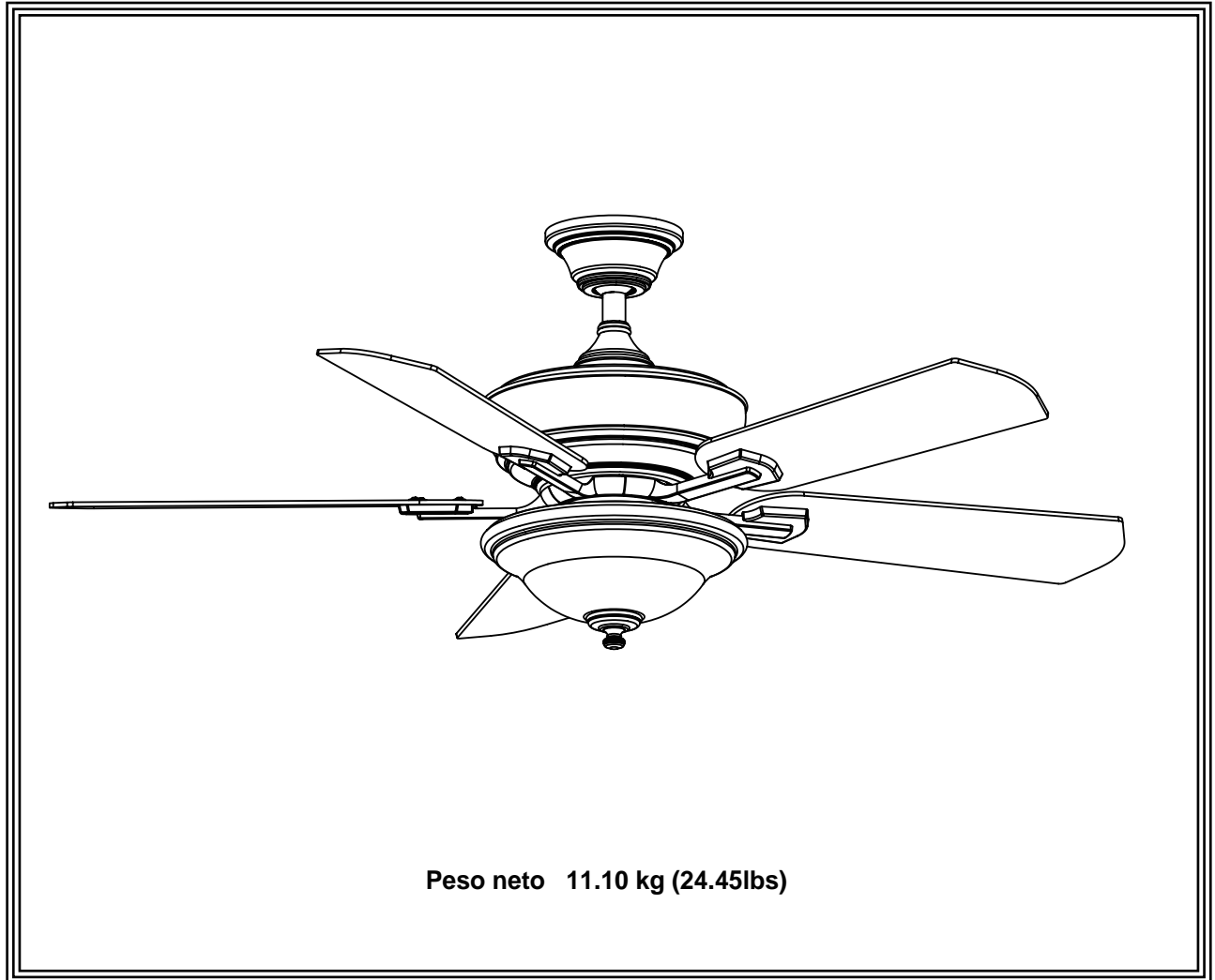
FAX (866) 482-5215

Outside U.S. call (317) 733-4113

Visit Our Website @ www.fanimation.com

The Camhaven™

Ventilador de techo



Modelo N.º FP8095**

MANUAL DEL PROPIETARIO
LEA Y GUARDE ESTAS INSTRUCCIONES



Instrucciones de seguridad importantes

ADVERTENCIA: Siga estas instrucciones para prevenir incendios, descargas eléctricas y lesiones personales graves.

1. Lea el manual del propietario y la información de seguridad antes de instalar su nuevo ventilador. Observe los diagramas de ensamblaje adjuntos.
2. Antes de llevar a cabo el mantenimiento o la limpieza de la unidad, desconecte la electricidad en el panel de servicio y bloquee los medios de desconexión del mismo para evitar que se active accidentalmente. Si no se pueden bloquear los medios de desconexión del servicio, coloque un dispositivo de advertencia, como una etiqueta, en el panel de servicio.
3. Tenga cuidado con la estructura y las aspas del ventilador cuando limpie, pinte o trabaje cerca del mismo. Desconecte siempre la electricidad del ventilador de techo antes de llevar a cabo el mantenimiento.
4. No coloque nada en las aspas del ventilador cuando éste se encuentra en funcionamiento.
5. No accione el conmutador inversor hasta que las aspas del ventilador se hayan detenido por completo.

Instrucciones de seguridad adicionales

1. Para evitar posibles descargas eléctricas, asegúrese de que la electricidad esté desconectada en la caja de fusibles antes de realizar la instalación eléctrica, y no haga funcionar el ventilador sin las aspas.
2. Todos los procedimientos de conexión eléctrica e instalación deben cumplir con los Códigos eléctricos nacionales (ANSI/NFPA 70-1999) y Códigos locales. El ventilador de techo debe estar conectado a tierra a fin de prevenir posibles descargas eléctricas. La instalación eléctrica debe ser llevada a cabo o aprobada por un electricista autorizado.
3. Se debe fijar bien la base del ventilador; ésta debe ser capaz de soportar sin problemas al menos 15,9 kg (35 lb). Consulte la página 20 del manual del propietario para ver los requisitos de soporte. Si tiene dudas, consulte a un electricista calificado.
4. Las aspas del ventilador deben instalarse por lo menos a 2 m (7 pies) del suelo, a fin de evitar un contacto accidental con las mismas.
5. Siga las recomendaciones sobre el método correcto de instalación eléctrica de su ventilador de techo. Si no posee la experiencia o los conocimientos eléctricos adecuados, contrate a un electricista autorizado para instalar el ventilador.

ADVERTENCIA: Para reducir el riesgo de incendio o una descarga eléctrica, este ventilador sólo debe utilizarse con la velocidad del ventilador Control pieza UC7067RYL, fabricado por Rin Electronic Co., Ltd.

ADVERTENCIA: para reducir el riesgo de incendios o descargas eléctricas no utilice este ventilador con ningún dispositivo de control de velocidad de estado sólido.

ADVERTENCIA: Este producto está diseñado para ser usado sólo con las piezas suministradas o los accesorios indicados específicamente para el mismo. Si utiliza piezas o accesorios que no están indicados para su uso con este producto, podría sufrir lesiones personales o dañar el ventilador. **ADVERTENCIA:** Este producto está diseñado para ser usado sólo con las piezas suministradas o los accesorios indicados específicamente para el mismo. Si utiliza piezas o accesorios que no están indicados para su uso con este producto, podría sufrir lesiones personales o dañar el ventilador.

ADVERTENCIA: Para reducir el riesgo de lesiones personales, no doble los soportes de las aspas (borde o soporte de aspas) al instalar los soportes, balancear las aspas o limpiar el ventilador. No coloque objetos extraños entre las aspas del ventilador en funcionamiento.

ADVERTENCIA: Monte a una caja de salida aceptable para apoyo de los aficionados.

Este equipo cumple con lo establecido en la Parte 15 de la Normativa FCC. Su funcionamiento está sujeto a las dos condiciones siguientes:

(1) Este equipo no causará interferencias perjudiciales y (2) este equipo tolerará cualquier interferencia recibida, incluidas las interferencias que puedan provocar un funcionamiento no deseado. Si el radiador intencional puede ser clasificado como un dispositivo digital de clase B o un periférico del ordenador, entonces se deberán incluir los siguientes o equivalentes:

Nota: Tras someterlo a las pruebas correspondientes, se ha determinado que este equipo cumple con los límites establecidos para dispositivos digitales de Clase B de conformidad con la parte 15 de la Normativa FCC. Estos límites se han establecido con el objetivo de aportar una protección razonable contra interferencias perjudiciales cuando el equipo se utiliza en el hogar. Este equipo genera, utiliza y puede emitir energía de radiofrecuencia y, a menos que se instale y se utilice de acuerdo con el manual de instrucciones, puede provocar interferencias perjudiciales en las comunicaciones por radio y televisión. Si el equipo produce interferencias perjudiciales en la recepción de radio o televisión, lo cual puede probarse encendiendo y apagando el equipo, se recomienda al usuario corregir dichas interferencias tomando una o varias de las siguientes medidas:

- Modificar la orientación o ubicación de la antena de recepción;
- Aumentar la separación entre el equipo y el receptor;
- Conectar el equipo a una toma de corriente o circuito diferente al del receptor;

Consulte al distribuidor o a un técnico especialista de radio o TV para obtener más ayuda.

Nota: Para un dispositivo digital de clase A, la declaración de 15. 105(a) debe ser incluida cuando sea apropiada para el dispositivo en cuestión.

GARANTÍA LIMITADA DE POR VIDA

Se extiende al comprador original de un ventilador Fanimation

1. GARANTÍA LIMITADA DE POR VIDA DEL MOTOR - Si se produjera una falla en alguna de las partes del motor de su ventilador debido a un defecto en los materiales o en la fabricación durante el tiempo de vida del comprador original, Fanimation proporcionará la pieza de repuesto sin cargo una vez que el ventilador defectuoso sea devuelto a nuestro centro de servicios nacional. Se requiere comprobante de venta. El cliente se hará responsable de todos los gastos de remoción o reinstalación y envío del producto para reparaciones o sustitución.
2. GARANTÍA DE MANO DE OBRA DEL MOTOR POR UN AÑO - Si el motor de su ventilador fallara antes de cumplirse un año a partir del momento de su compra original debido a defectos en los materiales o en la fabricación, se le efectuará la reparación del mismo sin cargo en nuestro centro de servicios nacional. El comprador se hará responsable de los gastos de mano de obra luego del período de un año. El cliente se hará responsable de todos los gastos de remoción o reinstalación y envío del producto para reparaciones o sustitución.
3. Si otra pieza del ventilador fallara dentro del período de un año a partir de la fecha de compra original debido a un defecto en los materiales o en la fabricación, repararemos o sustituiremos, según creamos conveniente, la pieza defectuosa sin cargo alguno en nuestro centro de servicios nacional.
4. Debido a las diversas condiciones climáticas, esta garantía no cubre cambios en la terminación, incluidos oxidación, corrosión, falta de brillo o peladuras.
5. Esta garantía es nula y no se aplica a daños por instalación incorrecta, negligencia, accidentes, uso indebido, exposición al calor o a la humedad en exceso, o como resultado de cualquier modificación realizada al producto original.
6. Todos los gastos de remoción y reinstalación del ventilador son responsabilidad exclusiva del propietario, y no de la tienda que vendió el ventilador ni de Fanimation.
7. Fanimation se reserva el derecho de modificar o discontinuar un producto en cualquier momento, o sustituir cualquier pieza según lo establecido por esta garantía.

GARANTÍA LIMITADA DE POR VIDA

Se extiende al comprador original de un ventilador Fanimation

8. En ningún caso se podrá devolver un ventilador sin previa autorización por parte de Fanimation. Las devoluciones autorizadas deberán ir acompañadas del recibo de venta y deberán enviarse a Fanimation, previo pago del flete. El ventilador que se devuelva deberá estar embalado en forma adecuada a fin de evitar daños durante el transporte. Fanimation no se hará responsable de los daños que resulten del embalaje incorrecto del producto.
9. Se entiende que las reparaciones y las sustituciones son el único recurso disponible de Fanimation. No existe ninguna otra garantía expresa o implícita. Por la presente, Fanimation niega todas las garantías implícitas, que incluyen, entre otras, la comerciabilidad y la aptitud para determinado fin hasta donde la ley lo permita. Algunos estados no permiten limitaciones sobre las garantías implícitas. Fanimation no se hará responsable por daños accidentales, resultantes o especiales derivados del uso o el rendimiento del producto o en conjunción con éste, excepto en los casos en los que la ley así lo disponga. Esta garantía le otorga derechos legales especiales y es posible que también goce de otros derechos que pueden variar según el estado.
10. Es normal que se produzca un cierto movimiento oscilante y esto no debe considerarse un problema o defecto.

Tabla de contenidos

Instrucciones para el desempaque.....	23	Montaje del ventilador con el kit de iluminación	31
Uso eficiente de la energía en ventiladores de techo.....	24	Montaje del ventilador sin el kit de iluminación	33
Requisitos eléctricos y estructurales.....	24	Cómo utilizar su ventilador de techo	34
Cómo ensamblar el ventilador de techo	25	Mantenimiento	34
Cómo colgar el ventilador de techo	27	Cómo limpiar su aspas del ventilador	34
Cómo realizar la instalación eléctrica del ventilador de techo	28	Lista de piezas	35
Instalación de la cubierta del capuchón	29	Ilustración del despiece	36
Ensamblaje de las aspas del ventilador	30	Solución de problemas	37

Este manual está diseñado para facilitar al máximo el ensamblaje, la instalación, el funcionamiento y el mantenimiento de su ventilador de techo.

Herramientas necesarias para el ensamblaje

- Destornillador Phillips
- Escalera de tijera
- Destornillador de 1/4"
- Pelacables
- Tres conectores de cables (incluidos)

Materiales

La caja de distribución eléctrica y los conectores de la caja deben ser del tipo requerido por el código local. El cable más pequeño debe ser un cable de tres conductores (de dos conductores con conexión a tierra) del siguiente tamaño:

longitud del cable instalado	tamaño del cable según el A.W.G. (Calibre de Alambre Estadounidense)
hasta 15,2 m (50 pies)	14
de 15,2 a 30,5 m (50 a 100 pies)	12

NOTA: coloque las piezas de las bolsas de piezas individuales en un contenedor pequeño para evitar que se extravíen. Si faltan piezas, póngase en contacto con su proveedor local.

⚠ ADVERTENCIA

Antes de ensamblar el ventilador de techo, consulte la sección sobre el método correcto de instalación eléctrica del ventilador (página 27). Si siente que no posee la experiencia o los conocimientos eléctricos necesarios, contrate a un electricista autorizado para instalar el ventilador.

Instrucciones para el desempaque

Para su comodidad, marque cada uno de los pasos. A medida que completa cada paso, coloque una marca de verificación. Con esto se asegurará de completar todos los pasos y podrá saber desde dónde retomar si fuera interrumpido.

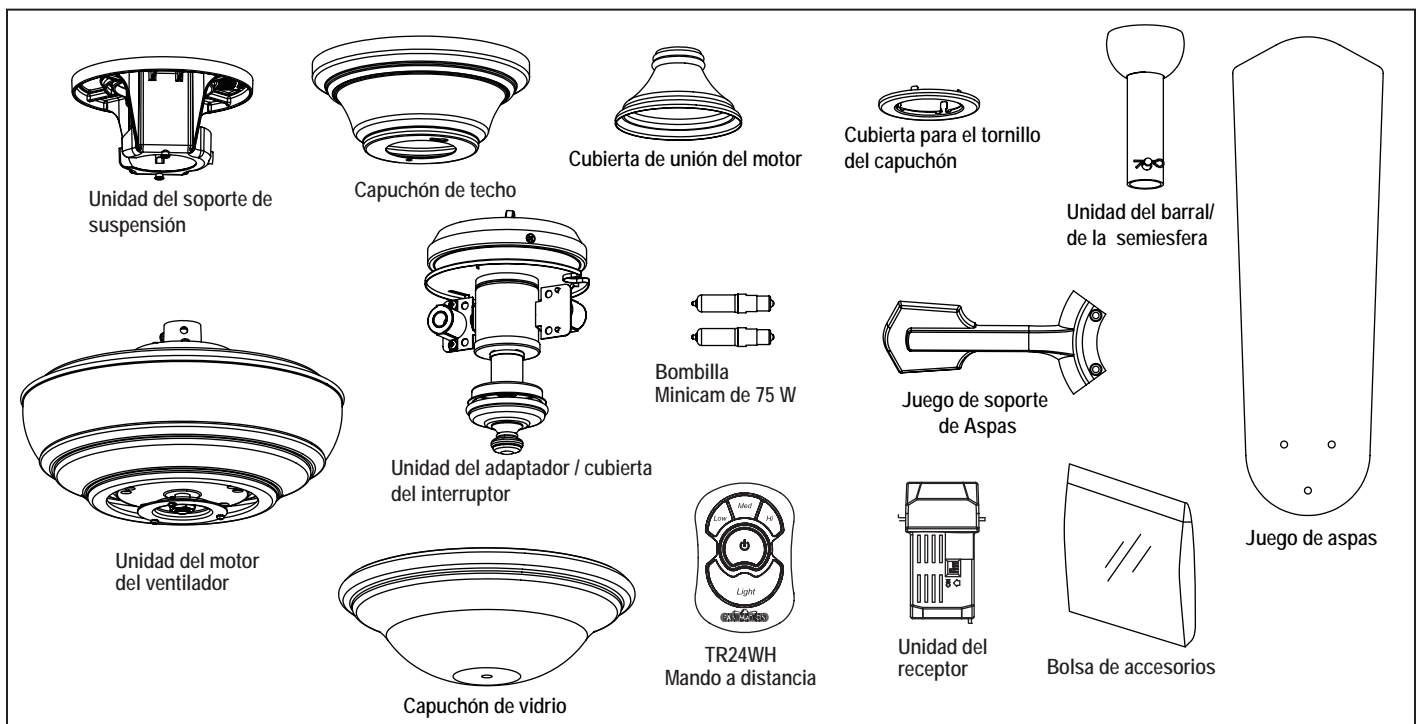
⚠ ADVERTENCIA

No instale ni utilice el ventilador si falta alguna pieza o si hay piezas dañadas. Este producto está diseñado para ser usado sólo con las piezas suministradas o los accesorios indicados por Fanimation específicamente para el mismo. La sustitución de piezas o accesorios no designados por Fanimation para usar con este producto podría ocasionar lesiones personales o daños en el ventilador. Póngase en contacto con su tienda si faltan piezas o hay piezas dañadas.

- Unidad del motor del ventilador
- Unidad de interruptor/adaptador
- Cubierta del interruptor / Unidad del adaptador con colocador de iluminación
- Unidad del soporte de suspensión
- Unidad del barral/de la semiesfera
- Capuchón de techo
- Cubierta para el tornillo del capuchón
- Cubierta de unión del motor
- Juego de soporte de Aspas
- Juego de aspas
- Capuchón de vidrio
- Bombilla
- TR24WH De mano a distancia
- Unidad del receptor
- Bolsa de accesorios:
 - Arandela de la cabeza del tornillo de 3/16-24 x 8 mm (aspa a soporte de aspas)
 - Arandela de fibr de 3/16" (aspa a soporte de aspas)
 - Tornillo Philips de 1/8"-27 x 9.5 mm
 - 1/4"-20 x 14mm (brazo aspas en el motor) tornillo de cabeza troncocónica
 - Destornillador Phillips de 4"
 - Conectores de los cables
 - kit de balanceo

1. Verifique que haya recibido las siguientes piezas:

NOTA: Si no está seguro de la descripción de una pieza, consulte la ilustración del despiece. (Figura 1, página 36)



Uso eficiente de la energía en ventiladores de techo

El nivel de rendimiento y ahorro de energía de los ventiladores de techo dependen de su correcta instalación y uso. A continuación le presentamos algunas sugerencias para asegurar un rendimiento eficiente del producto.

Selección del lugar de montaje adecuado

Los ventiladores de techo se deben instalar en el centro de la habitación, a 2 m (7 pies) de altura del piso como mínimo y 0,5 m (18 pulgadas) de las paredes. Si la altura del techo lo permite, instale el ventilador a 2,5 m (8-9 pies) por encima del suelo para un flujo de aire óptimo. Consulte en su tienda minorista de Fanimation para obtener accesorios de montaje opcionales.

Apague el ventilador cuando no se encuentre en la habitación

Los ventiladores son para refrescar a la gente, no a las habitaciones. Si la habitación está vacía, apague el ventilador de techo para ahorrar energía.

Uso del ventilador de techo todo el año

En verano: Use el ventilador de techo en sentido contrario a las agujas del reloj. El flujo de aire que produce el ventilador creará un efecto frío del aire que lo refrescará más. Seleccione una velocidad que le proporcione una brisa comfortable. Las velocidades más bajas consumen menos energía.

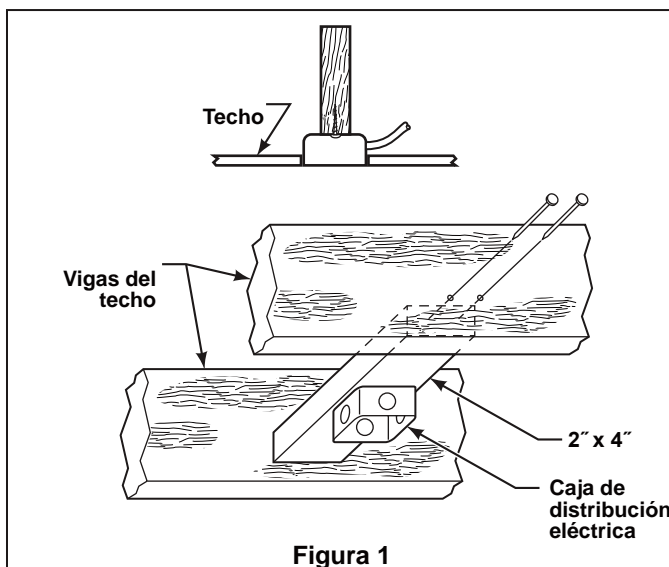
En invierno: Invierta el motor y haga funcionar el ventilador de techo a velocidad baja y en el sentido de las agujas del reloj. Esto produce una suave corriente ascendente, que obliga al aire cálido que se acumula cerca del techo a bajar al espacio ocupado. No olvide ajustar el termostato cuando utilice el ventilador de techo. Con este sencillo paso puede ahorrar energía adicional y dinero.

Requisitos eléctricos y estructurales

Su nuevo ventilador de techo requiere una línea de suministro eléctrico con conexión a tierra de 120 voltios de CA, 60 Hz, circuito de 15 amperios. La caja de distribución eléctrica debe estar bien asegurada y debe ser capaz de soportar una carga de, al menos, 15,9 kg (35 lb). La Figura 1 muestra diversas configuraciones estructurales que podrían utilizarse para montar la caja de distribución eléctrica.

⚠ ADVERTENCIA

Para reducir el riesgo de incendios, descargas eléctricas o lesiones personales, fije el ventilador a la caja de distribución eléctrica marcada como aceptable para soporte de ventilador de 15,9kg (35lb). Utilice los tornillos suministrados con la caja de distribución eléctrica. La mayoría de las cajas de distribución eléctrica que comúnmente se utilizan como soporte de lámparas no son aptas para soporte de ventiladores y es posible que deban reemplazarse. Consulte a un electricista calificado si tiene dudas.



⚠ ADVERTENCIA

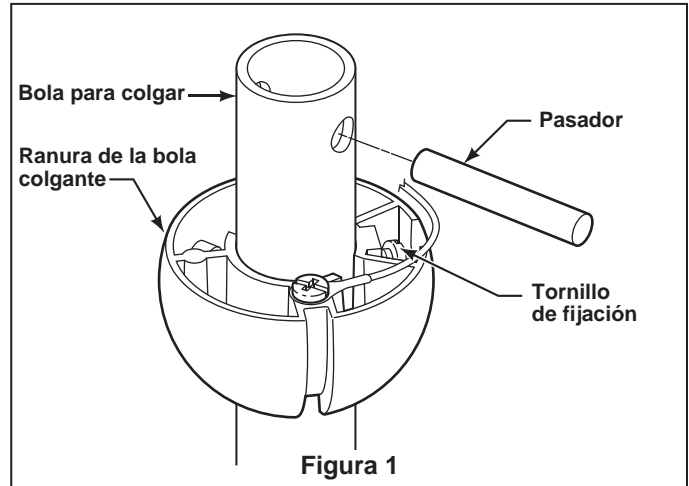
A fin de evitar incendios o descargas eléctricas, siga con cuidado todas las instrucciones de instalación eléctrica. Cualquier trabajo eléctrico que no se describa en estas instrucciones deberá ser realizado o aprobado por un electricista autorizado.

⚠ ADVERTENCIA

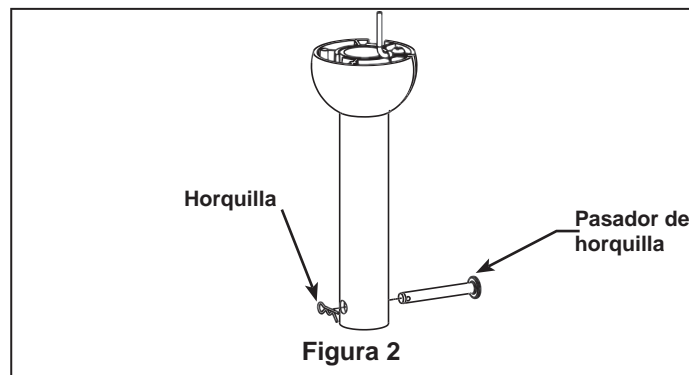
Apagar el interruptor de pared no es suficiente. Para evitar posibles descargas eléctricas, asegúrese de que la electricidad esté desconectada en la caja de fusibles principal antes de realizar la instalación eléctrica. Toda instalación eléctrica debe cumplir con los códigos nacionales y locales y el ventilador de techo debe tener la conexión a tierra adecuada como forma de precaución ante posibles descargas eléctricas.

Cómo ensamblar el ventilador de techo

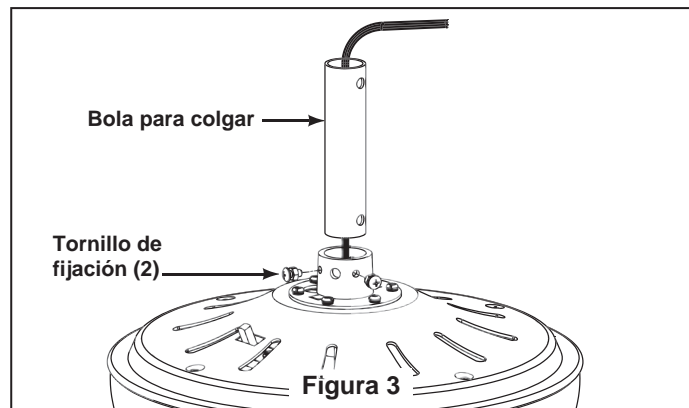
1. Extraiga la pieza de la bola colgante de la unidad de la bola colgante / varilla aflojando el tornillo de presión de la bola colgante hasta que la bola se libere de la varilla. Retire el pasador del barral y luego extraiga la semiesfera. Conserve el pasador y la semiesfera para su reinstalación en el Paso 5 (Figura 1).



2. Retire el clip de horquilla y pasador de horquilla de la parte inferior de la bola para colgar. Retener el pasador y clip para la reinstalación en el paso 4. (Figura 2)

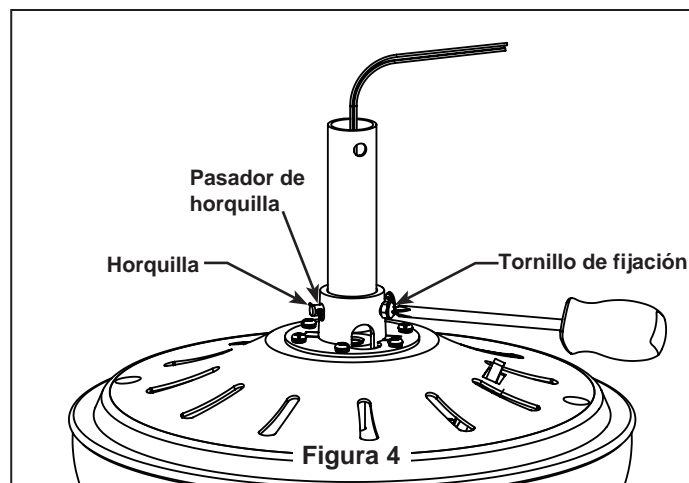


3. Afloje los dos tornillos de fijación del soporte del barral. Introduzca los cables de color negro, azul y blanco a través de la varilla. (Figura 3)



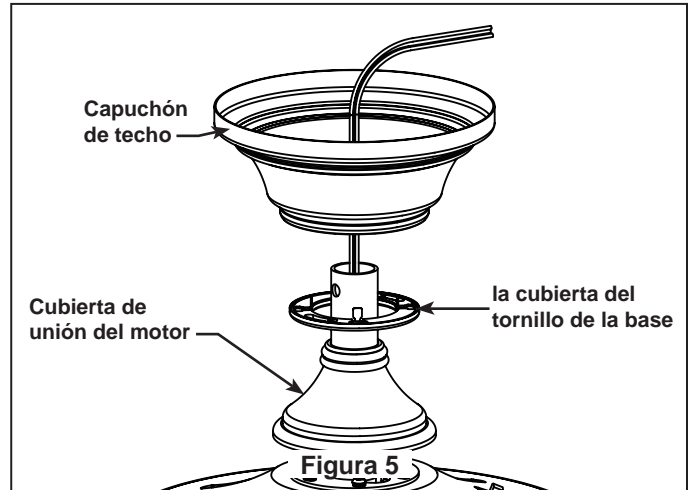
4. Coloque el soporte de la varilla y alinee los orificios de la clavija de horquilla en ambas piezas. Instale la clavija de horquilla y asegúrela con la pinza de horquilla. Fije los dos tornillos de presión y las tuercas de seguridad en el soporte de la varilla interior. (Figura 4)

⚠ ADVERTENCIA
Es fundamental que instale correctamente el pasador de horquilla en el soporte de la varilla, y que ajuste firmemente los tornillos de fijación y las tuercas. El incumplimiento de dicho paso podría hacer que el ventilador se caiga.

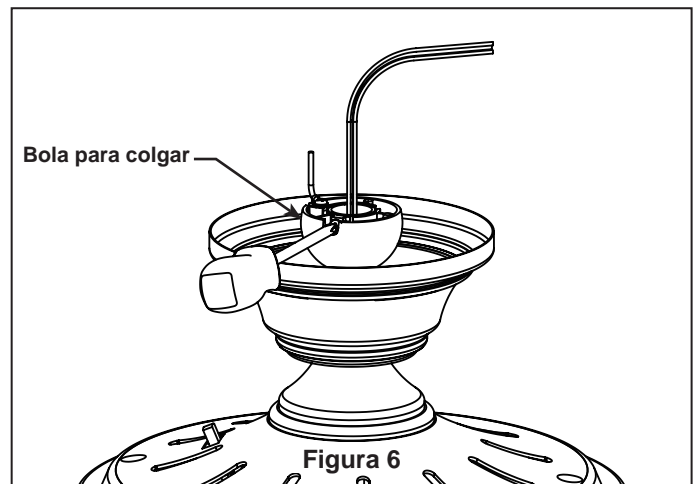


Cómo ensamblar el ventilador de techo (continuado)

5. Pase los cables a través de la cubierta de unión del motor, la cubierta para el tornillo y el capuchón. (Figura 5)

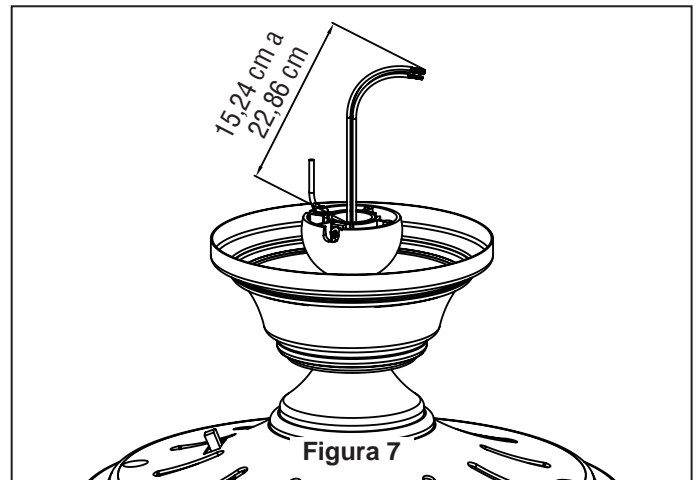


6. Vuelva a colocar la semiesfera en el barral como se indica a continuación. Pase los tres cables de 2.03 m (80") a través de la semiesfera. Pase el pasador a través de los dos orificios en el barral y alinee la semiesfera de modo que el pasador quede atrapado en la ranura de la parte superior de la misma. Empuje la semiesfera hacia arriba, bien ajustada contra el pasador. Ajuste firmemente el tornillo de fijación en la semiesfera. Si el tornillo de fijación está flojo, podría provocar oscilación del ventilador. (Figura 6)



7. Corte el exceso de cable aproximadamente de 15 a 23 cm (6 a 9 pulgadas) por encima de la parte superior del barral. Pele 1,2 cm (1/2") del aislamiento en cada extremo del cable. (Figura 7)

NOTA: Se deben revisar todos los tornillos de fijación y volver a ajustarlos cuando sea necesario antes de realizar la instalación.



Cómo colgar el ventilador de techo

⚠ ADVERTENCIA

Para evitar posibles descargas eléctricas, asegúrese de que la electricidad esté desconectada en la caja de fusibles principal antes de colgar el ventilador.

NOTA: Si no está seguro de si la caja de distribución eléctrica tiene conexión a tierra, pida asesoramiento a un electricista autorizado, ya que la conexión a tierra es fundamental para un funcionamiento seguro.

⚠ ADVERTENCIA

Las aspas del ventilador deben estar suspendidas, al menos, a 2 m (7') del piso (Figura 8)

⚠ ADVERTENCIA

La caja de distribución eléctrica debe estar bien asegurada y ser capaz de soportar una carga de, al menos, 22,7 kg (50 lb). El soporte de suspensión debe estar colocado firmemente contra la caja de distribución eléctrica. Si la caja de distribución eléctrica está empotrada, retire la tablaroca hasta que el soporte haga contacto con la caja. Si el soporte o la caja de distribución eléctrica no están bien asegurados, el ventilador podría oscilar o caerse.

1. Fije bien el soporte de suspensión a la caja de distribución con los tornillos y las arandelas suministrados con la misma (Figura 9).

NOTA: Se deben pasar los tornillos de la caja de distribución eléctrica a través de los orificios que se encuentran en el soporte de suspensión (Figura 9).

2. Pase los cables eléctricos de la caja de distribución eléctrica a través de la abertura del soporte de suspensión, dóblelos hacia arriba y apártelos de modo que la semiesfera se ajuste fácilmente en el soporte de suspensión.

3. Con cuidado, levante el ventilador y apoye la unidad del barral/de la semiesfera en el soporte de suspensión que acaba de fijar a la caja de distribución eléctrica (Figura 9). Asegúrese de que la ranura en la semiesfera esté alineada con el reborde del soporte de suspensión (Figura 10).

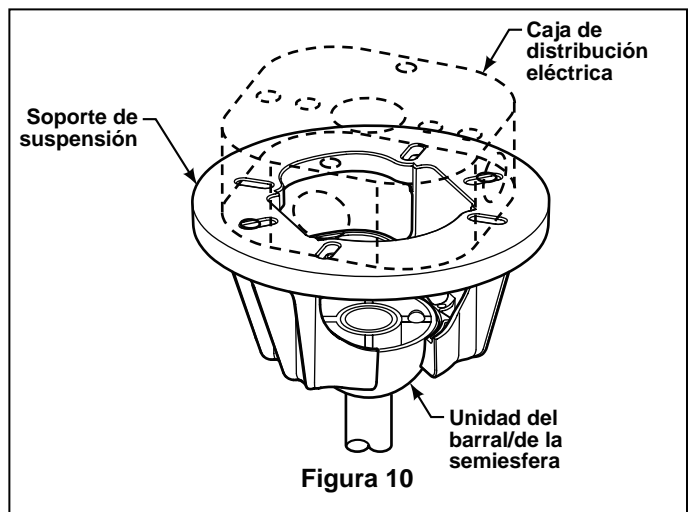
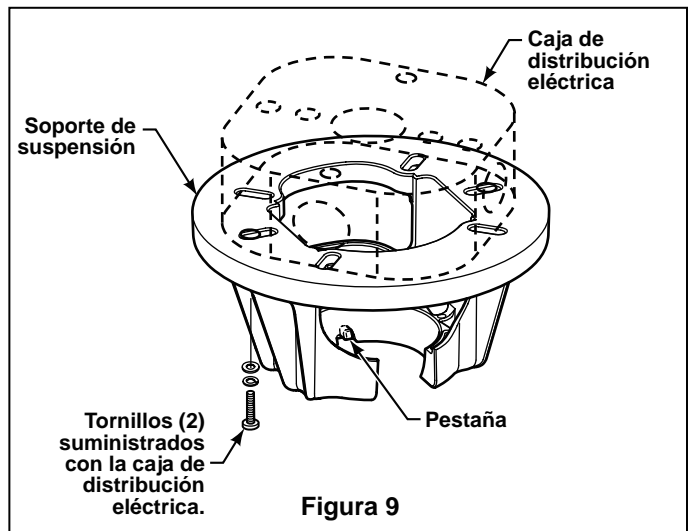
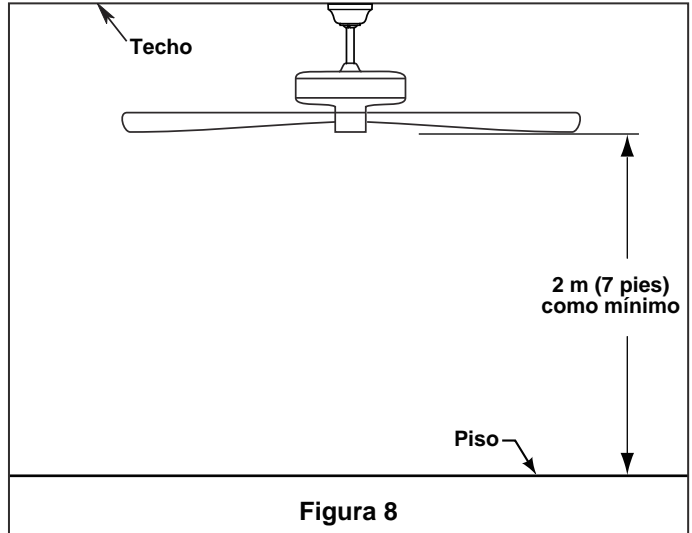
4. Después de empalmar, la conexión eléctrica debe doblarse hacia arriba e insertarse con cuidado en la caja de distribución eléctrica.

⚠ ADVERTENCIA

Si la pestaña no está en la ranura, podrían producirse daños en los cables eléctricos y posibles descargas eléctricas o incendios.

⚠ ADVERTENCIA

Para evitar una posible descarga eléctrica, no aprisione los cables entre la unidad del barral/de la semiesfera y el soporte de suspensión.



Cómo realizar la instalación eléctrica del ventilador de techo

⚠ ADVERTENCIA

Para evitar posibles descargas eléctricas, asegúrese de que la electricidad esté desconectada de la caja de fusibles principal antes de realizar la instalación eléctrica.

NOTA: si no está seguro si la caja de distribución eléctrica tiene conexión a tierra, pida asesoramiento a un electricista autorizado, ya que la conexión a tierra es importante para un funcionamiento seguro. (Figura 11)

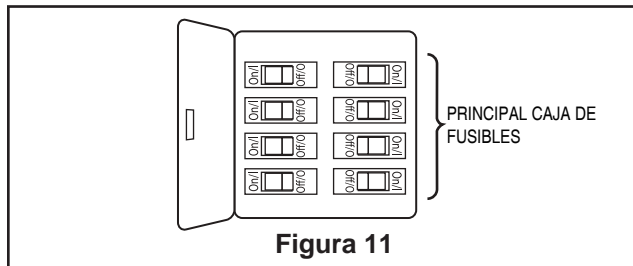


Figura 11

NOTA: El mando a distancia incluido en este ventilador tiene 16 combinaciones diferentes de códigos. Para evitar posibles interferencias desde o hacia otros mandos a distancia, modifique el código de combinación de su transmisor y receptor.

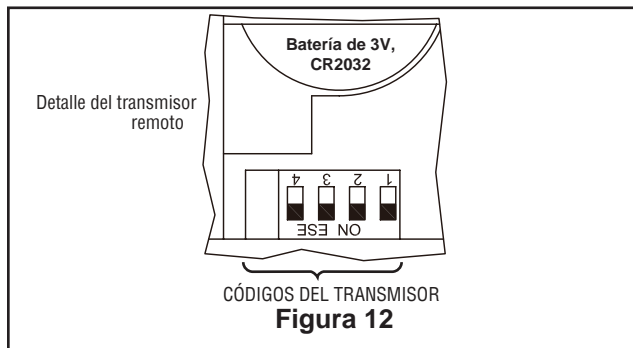


Figura 12

1. Para configurar el código del transmisor, extraiga la carcasa de la batería presionando firmemente debajo de la flecha y deslice la carcasa hasta extraerla. Mueva los interruptores de código hasta colocar el código de selección en la posición arriba o abajo. Los ajustes de fábricas vienen con todos los interruptores hacia arriba. No utilice esta posición. Con un destornillador pequeño o con una lapicera deslice firmemente hacia arriba o hacia abajo. (Figura 12)

2. Para configurar el código de unidad del receptor. Deslice los interruptores de código a las mismas posiciones que en el transmisor (Figura 13).

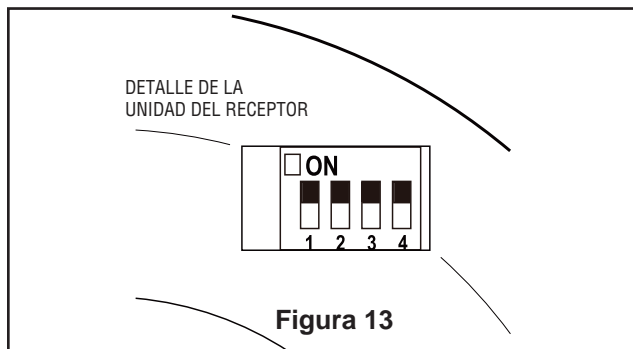


Figura 13

3. Deslice la unidad del receptor en el extremo abierto del soporte colgante. (Figura 14)

4. Conecte los cables verdes desde el soporte colgante y la bola colgante en el cable desnudo (toma de tierra) utilizando el conector de cables suministrado. Conecte el cable negro desde la unidad del receptor marcado "AC IN L" al cable negro de suministro de electricidad utilizando el conector de cables suministrado. Conecte el cable blanco desde la unidad del receptor marcado "AC IN N" al cable blanco de suministro de electricidad utilizando el conector de cables suministrado. Conecte el cable blanco desde la unidad del receptor marcado "TO MOTOR N" al cable blanco del ventilador utilizando el conector de cables suministrado con el receptor. Conecte el cable blanco desde la unidad del receptor marcado "TO MOTOR L" al cable blanco del ventilador utilizando el conector de cables suministrado con el receptor. Por último, conecte el cable azul del receptor al cable azul de la luz del ventilador utilizando el conector de cables suministrado. Coloque todos los cables conectados y la antena del receptor para permitir la instalación de la cubierta del techo. (Figura 15)

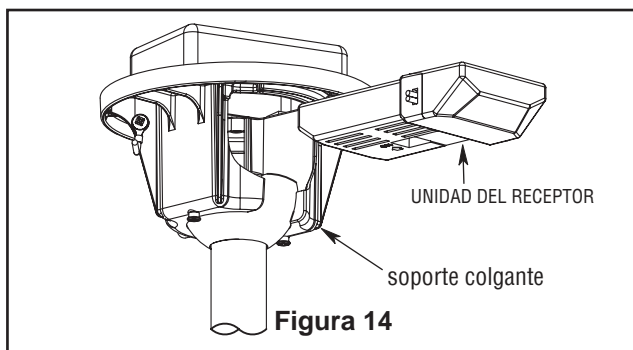


Figura 14

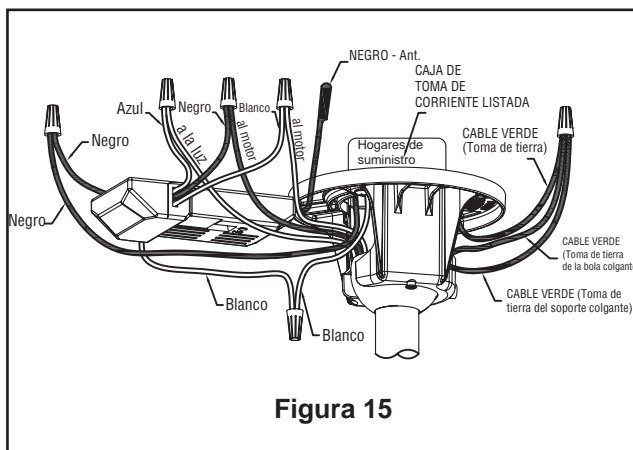


Figura 15

Cómo realizar la instalación eléctrica del ventilador de techo (cont.)

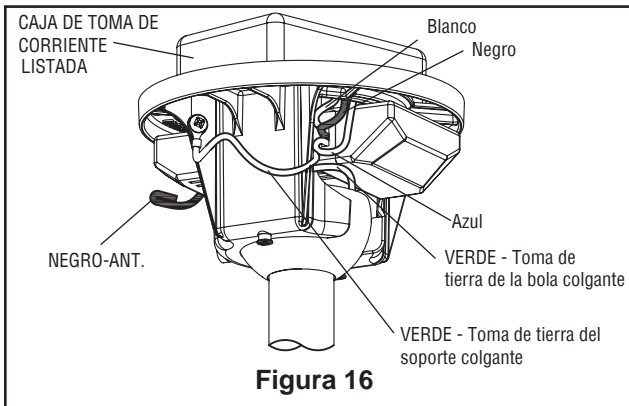
ADVERTENCIA

Verifique que todas las conexiones estén ajustadas, incluida la conexión a tierra, y que no haya conductores desnudos visibles en los conectores, excepto el conductor con conexión a tierra. No opere el ventilador hasta que las aspas estén instaladas. Podría ocasionar ruidos y daños al motor.

5. Una vez haya hecho las conexiones, coloque los cables hacia arriba y empújelos cuidadosamente hacia dentro de la caja de la toma de corriente, poniendo los cables blancos y verdes a un lado de la caja y los negros hacia el otro lado. Los cables deben ser colocados de forma extendida poniendo el conductor de la toma de tierra y el conductor de toma de tierra del equipo a un lado de la caja. (Figura 16)

Aditamentos utilizados:

Conectores de cable  x 6



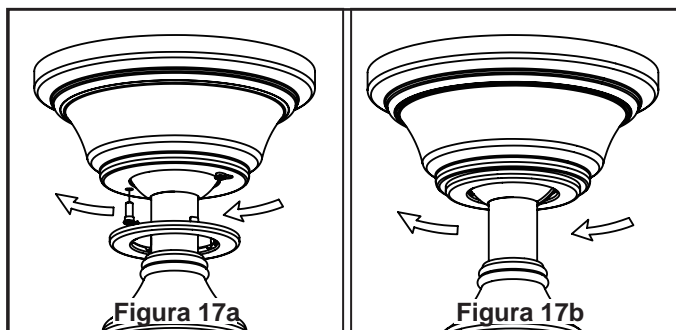
Instalación de la cubierta del capuchón

NOTA: Este paso se debe realizar luego de completar la instalación eléctrica necesaria.

ADVERTENCIA

Para evitar posibles incendios o descargas eléctricas, asegúrese de que los cables eléctricos vuelva hacia arriba y completamente empujarse con cuidado en el cuadro de junta y de que no estén aprisionado el techo.

1. Extraiga una de los tornillos de hombro en el soporte del gancho. Afloje el segundo tornillo de hombro sin extraiga completamente. Instale la cubierta rotando la ranura clave en la cubierta sobre el tornillo de hombro del soporte del gancho. Fije el tornillo de hombro. Instale adecuadamente y fije el segundo tornillo de hombro que fue anteriormente guardado. (Figura 17a)
2. Coloque y ajuste firmemente la cubierta para el tornillo de la base sobre los tornillos de reborde de la abrazadera para colgar mediante el mecanismo de seguro por giro del chavetero. (Figura 17b)



Ensamblaje de las aspas del ventilador

1. Coloque el asa sobre el soporte de aspas con los pilotes roscados a la vista. Asegúrese de que la parte inferior del asa se encuentre bien apoyada sobre el soporte. Con un destornillador Phillips, fije los tornillos con cabeza de arandela de 3/16-24 x 8 mm para asegurar la placa en el brazo de sujeción de las palas. (Figura 18).

PRECAUCIÓN

No conecte las aspas hasta que el ventilador esté totalmente instalado. Instalar el ventilador con las aspas colocadas podría ocasionar daños en las mismas.

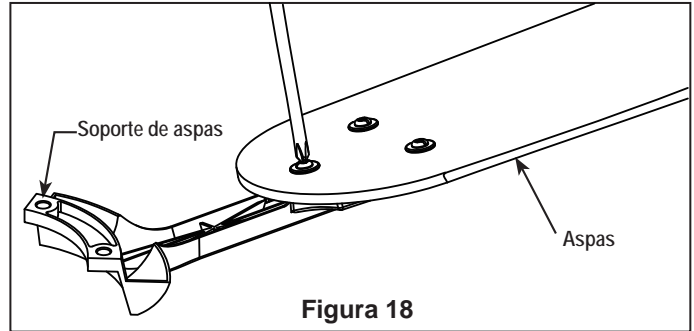


Figura 18

Aditamentos utilizados:

TORNILLOS DE CABEZA PHILLIPS 3/16-24 x 8 mm x 15

Arandela de fibra x 15

2. Retire y deseche los toques del motor del ensamble del motor quitando los tornillos. (Figura. 19)

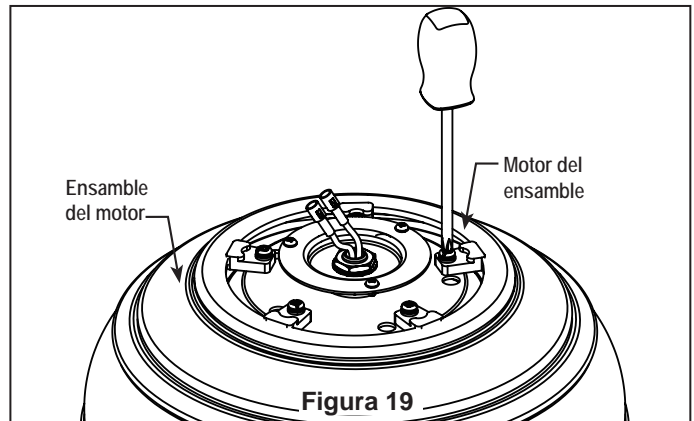


Figura 19

3. Fije los soportes de aspas al soporte del motor mediante los tornillos de 1/4-20 x 14 mm a través de los orificios ubicados al costado del soporte del motor. (Figura 20)

NOTA: Revise periódicamente las piezas de los soportes de las aspas y vuelva a ajustarlas si fuese necesario.

⚠ ADVERTENCIA

Para reducir el riesgo de lesiones personales, no doble los soportes de aspas al instalarlos, balancear las aspas o limpiar el ventilador. No coloque objetos extraños entre las aspas del ventilador en funcionamiento.

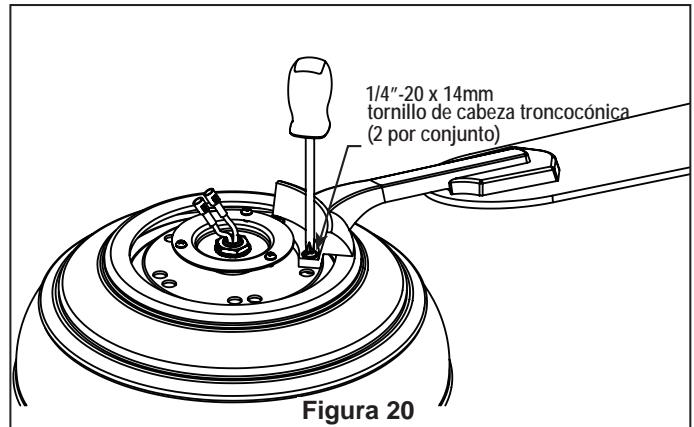


Figura 20

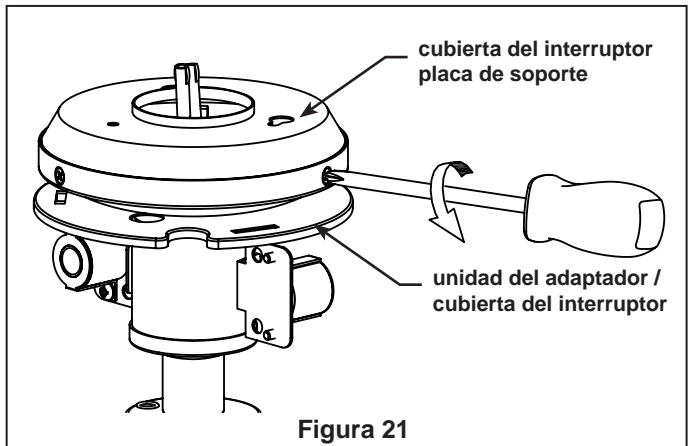
Aditamentos utilizados:

Tornillos Phillips de 1/4-20 x 14 mm x 10

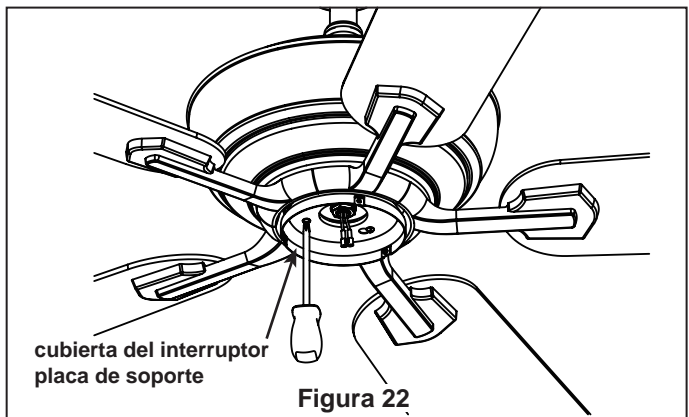
Montaje del ventilador con el kit de iluminación

NOTA: Si está realizando el montaje de su ventilador sin el kit de iluminación, vaya directamente a la página 33 de este manual.

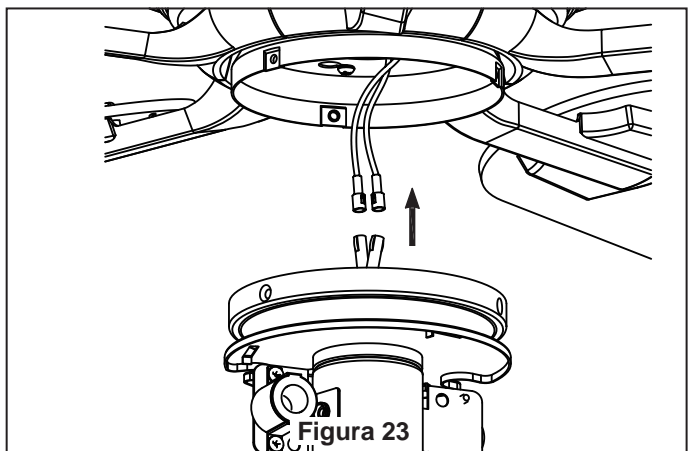
1. Desmonte la unidad del adaptador / cubierta del interruptor desde el cubierta del interruptor placa de soporte extrayendo los tres tornillos. (Figura 21)



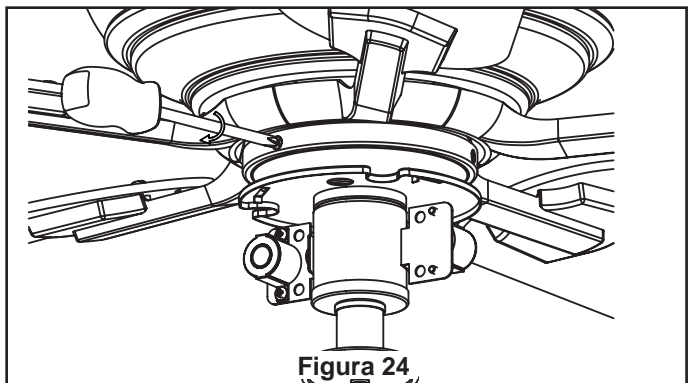
2. Extraiga uno de los tres tornillos del soporte ubicado en la parte inferior de la unidad del motor. Afloje levemente los otros dos tornillos. Instale la cubierta del interruptor placa de soporte las dos ranuras principales de la placa de conexión. Vuelva a colocar el tercer tornillo y asegure los tres tornillos. (Figura 22)



3. Conecte el conector de 2 clavijas desde el colocador de iluminación de la carcasa de la cubierta del interruptor hacia el conector de 2 clavijas desde la unidad del motor. (Figura 23)



4. Instale el soporte del interruptor de la carcasa en el adaptador ensamblado mediante los tres tornillos. (Figure 24)



Montaje del ventilador con el kit de iluminación (continuado)

5. Instale las bombillas del minican incluidas en cada una de los dos casquillos. (Figura 25)

PRECAUCIÓN

Para reducir el riesgo de incendios, utilice la bombilla halógena tungsteno de tipo T4-minican JD E11 de 75 vatios máximo. Apague el interruptor de la pared y deje que la bombilla se enfríe durante 10 minutos antes de cambiar la bombilla. La bombilla está presurizada y puede hacerse añicos. **NO TOQUE LA BOMBILA CON LAS MANOS SIN PROTECCIÓN.** Las huellas dactilares pueden disminuir la vida útil de la bombilla. Elimine las huellas dactilares con alcohol antes de utilizar la bombilla.

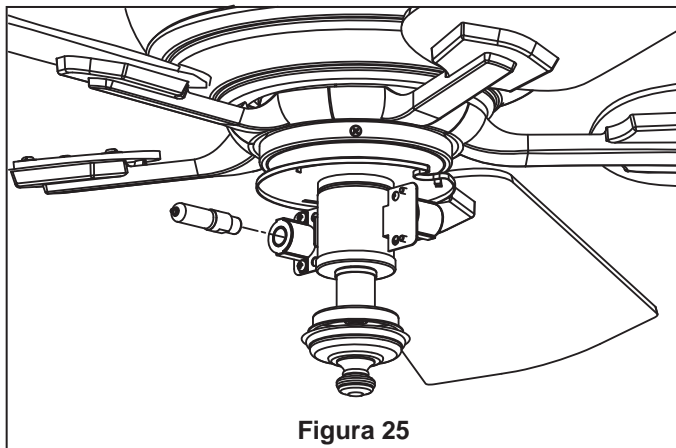


Figura 25

6. Asegure la decoración redonda de cristal para el colocador de la iluminación utilizando la tuerca suministrado. A continuación, instale la carcasa elegante seguido del elemento final. No apriete en exceso. (Figura 26)

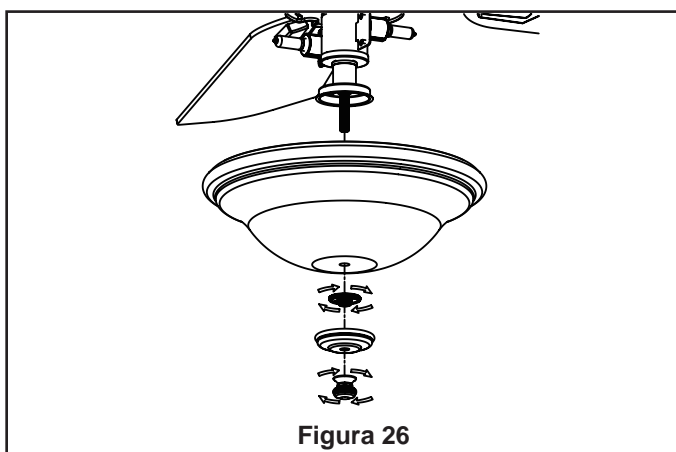
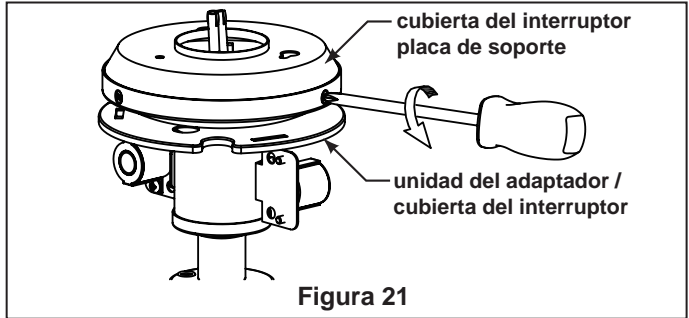


Figura 26

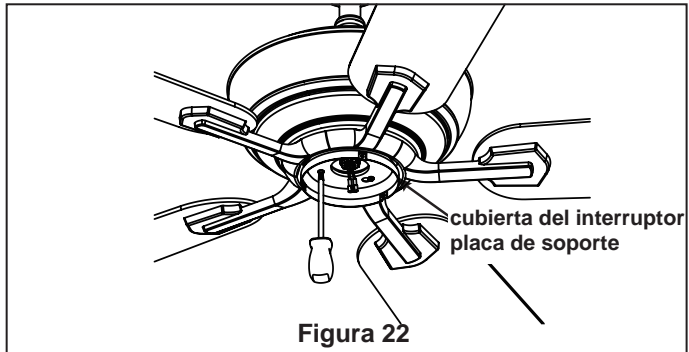
Montaje del ventilador sin el kit de iluminación

NOTA: Vaya a la página 34 si ha instalado su ventilador con el kit de iluminación.

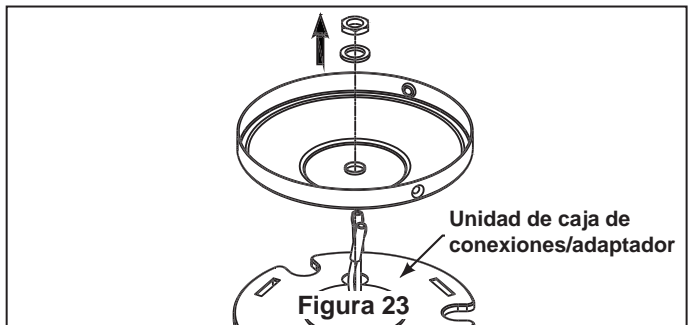
1. Desmonte la unidad del adaptador / cubierta del interruptor desde el cubierta del interruptor placa de soporte extrayendo los tres tornillos. (Figura 21)



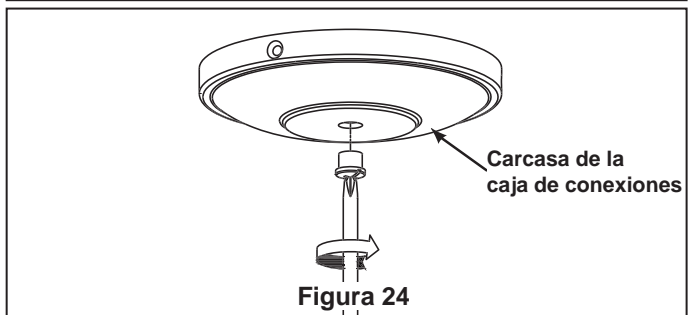
2. Extraiga uno de los tres tornillos del soporte ubicado en la parte inferior de la unidad del motor. Afloje levemente los otros dos tornillos. Instale la cubierta del interruptor placa de soporte las dos ranuras principales de la placa de conexión. Vuelva a colocar el tercer tornillo y asegure los tres tornillos. (Figura 22)



3. Extraiga la tuerca hexagonal y la arandela de resorte de la unidad de caja de conexiones/adaptador. (Figura 23)

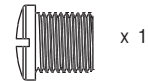


4. Fije el tornillo en la carcasa de la caja de conexiones. (Figura 24)

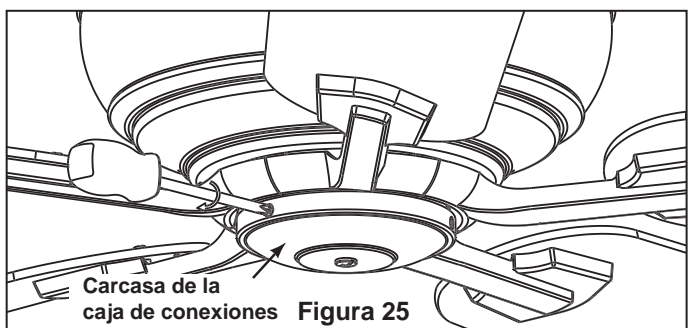


Aditamentos utilizados:

1/8"-27x 9.5 mm
Tornillo Philips



5. Instalar la carcasa de la caja de conexiones en la placa de montaje para dicha carcasa utilizando tres tornillos. (Figura 25)



Cómo utilizar su ventilador de techo

1. Restaure la fuente de alimentación de la toma de corriente enciendiendo la electricidad del fusible principal. (Figura 27)

⚠ ADVERTENCIA

Compruebe que todas las conexiones realizadas correctamente, incluyendo la toma de tierra, y que no se visualizan ningún cable pelado en los conectores de cables, con la excepción del cable de toma de tierra. No utilice el ventilador hasta que las palas estén colocadas en su lugar, ya que de lo contrario se podría causar ruido y daños.

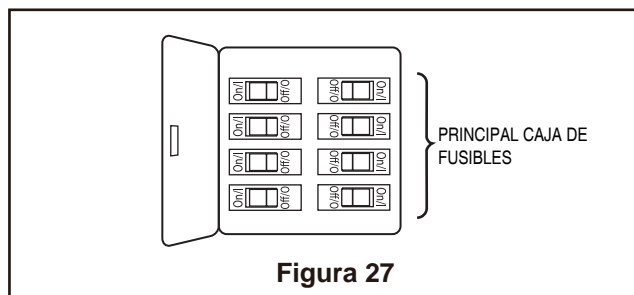


Figura 27

2. Para que funcione el ventilador, instale dos pilas de 3 voltios en el transmisor del mando a distancia. (si no se va a utilizar por largos periodos de tiempo, retire la batería para evitar daños al control remoto de mano.) Guarde el transmisor lejos del exceso de calor o humedad. (Figura 28)

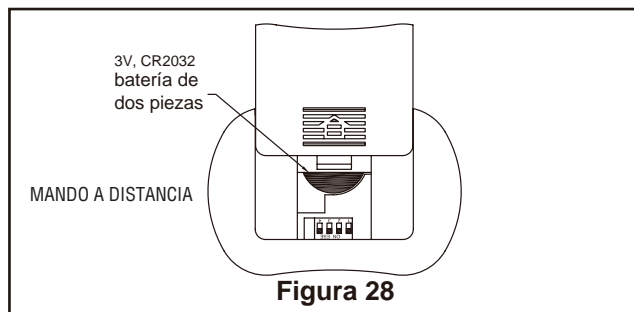


Figura 28

3. El transmisor del mando a distancia de 5 botones incluye 5 botones para controlar las velocidades baja, media y alta del ventilador, así como el encendido y apagado del mismo. Se dispone de niveles de luces infinitos manteniendo pulsado el botón on/off. (Figura 29)

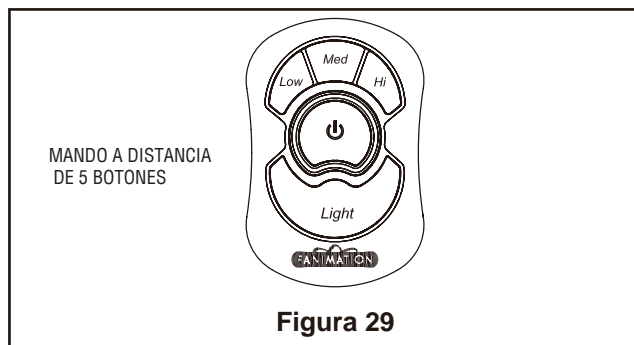


Figura 29

4. Si se desea que el flujo del aire vaya en la dirección opuesta, apague el ventilador y espere a que se detengan las palas. Deslice la carcasa de la cubierta para visualizar el interruptor del reverso. Deslice el interruptor del reverso ubicado en la parte superior del motor hacia la posición opuesta y encienda de nuevo el ventilador. (Figura 30)

Información sobre el interruptor de reversa		
Temporada	Dirección de rotación	Posición del interruptor
Verano	En dirección contraria a las manecillas del reloj	Izquierda
Invierno	En dirección de las manecillas del reloj	Derecha

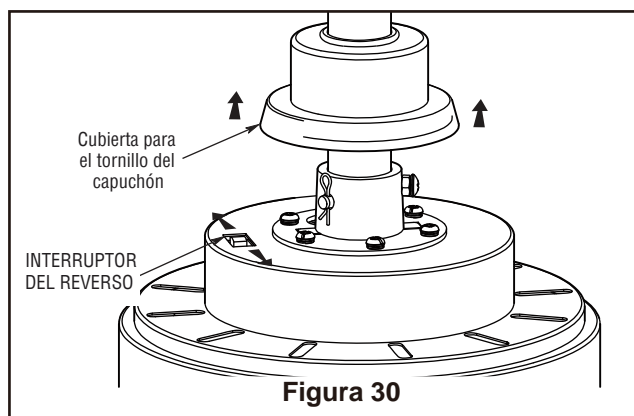


Figura 30

Mantenimiento

1. El único mantenimiento necesario para el ventilador de techo es una limpieza periódica. Al llevar a cabo la limpieza, use sólo un cepillo suave o un paño sin pelusas, para evitar rayar el acabado. No se requieren agentes abrasivos de limpieza; los mismos deben evitarse para prevenir daños en el acabado.

PRECAUCIÓN

No utilice solventes para limpiar el ventilador de techo. Podrían dañar el motor o las aspas y ocasionar posibles descargas eléctricas.

Cómo limpiar su aspas del ventilador

Se recomienda limpiar periódicamente el polvo de las palas. Un guardapolvos de pluma será la mejor solución de limpieza. Evite el uso de agua, limpiadores o trapos ásperos que podrían combar o dañar las palas.

Lista de piezas

Modelos N.º FP8095**

N.º de Ref.	Descripción	Pieza # N.º
1	Unidad del soporte de suspensión	AP255BL
2	Unidad del barral/de la semiesfera (4.5)	ADR1-45**
3	Capuchón de techo	PG809501**
4	Cubierta para el tornillo del capuchón	AP260**
5	Cubierta de unión del motor	AP809502**
6	Unidad del motor del ventilador	AMA8095**
7	Soportes de aspas (5)	AP809514**
8	Juego de aspas (5)	AP809552MHWA
		AP809552CYWA
9	Bombilla Minican de 75W (2)	PPE11B75
10	Unidad del adaptador / cubierta del interruptor	AP809505**
11	Capuchón de vidrio	P809507FW
12	Mando a distancia	TR24WH
13	Unidad del receptor	RECAN44
14	<i>Bolsa de accesorios:</i>	HDWFP8095**
	Kit de balanceo (BALKT)	
	Conectores de cables (4)	
	Tornillo Philips de 1/8"-27 x 9.5 mm	
	<i>Bolsa de accesorios para el montaje de aspas:</i>	
	Tornillos con cabeza de phillips de 3/16-24 x 8 mm y arandelas de plano (16 piezas)	
	Destornillador Phillips de 4"	
	<i>Bolsa de accesorios para el montaje de los soportes de aspas:</i>	
Tornillos Phillips de 1/4-20 x 14 mm con arandelas de seguridad (11 piezas)		

Antes de desechar los materiales de embalaje, asegúrese de haber extraído todas las piezas

Cómo hacer un pedido de piezas

Al hacer un pedido de piezas de repuesto, proporcione siempre la siguiente información:

- Número de pieza
- Descripción de la pieza
- Número de modelo del ventilador

Póngase en contacto con su tienda para obtener las piezas de repuesto.

The Camhaven™ -FP8095**

Despiece

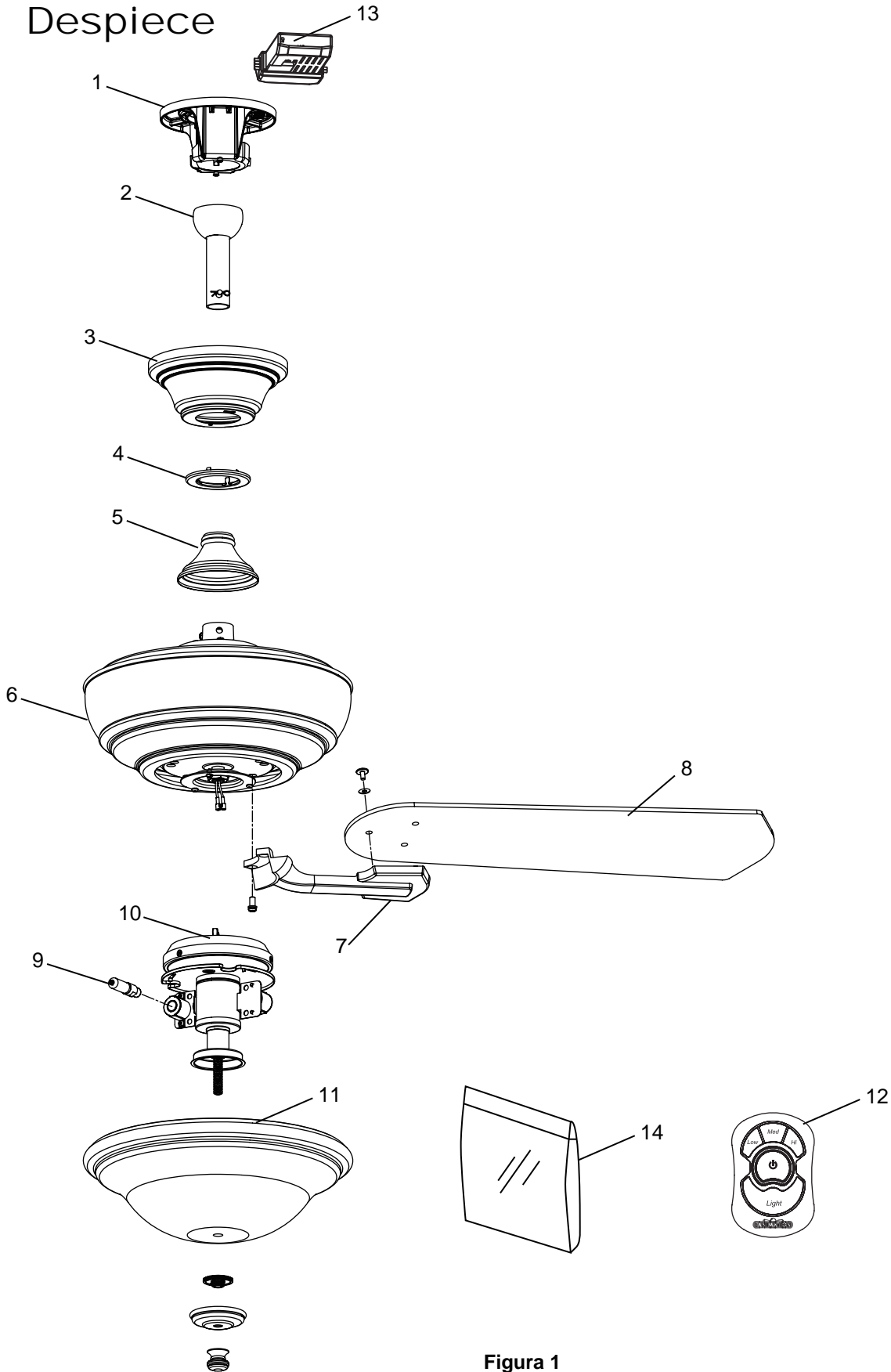


Figura 1

NOTA: la ilustración que se muestra no está hecha a escala y su configuración real puede variar.

Solución de problemas

ADVERTENCIA

Para su propia seguridad, desconecte la electricidad de la caja de fusibles o disyuntor antes de solucionar problemas en su ventilador.

Problema	Causa posible	Solución sugerida
1. EL VENTILADOR NO ARRANCA	<ol style="list-style-type: none"> 1. El fusible o el disyuntor están fundidos. 2. Las conexiones eléctricas del ventilador o del interruptor en la caja del interruptor están flojas. 3. El conmutador inversor se encuentra en posición neutra. 4. Sin batería en el control remoto. 	<ol style="list-style-type: none"> 1. Controle los fusibles del circuito principal y derivado o los disyuntores. 2. Controle las conexiones eléctricas del ventilador y del interruptor en las cajas de los interruptores. PRECAUCIÓN: ¡Asegúrese de que el suministro principal de electricidad esté desconectado! 3. Asegúrese de que el conmutador inversor esté completamente a un lado. 4. Reemplace con una batería nueva
2. EL VENTILADOR HACE RUIDO	<ol style="list-style-type: none"> 1. Las aspas no están sujetas al ventilador 2. Hay tornillos flojos en la caja del motor. 3. Los tornillos que aseguran los soportes de las aspas al buje del motor están flojos. 4. Los conectores de cables dentro de la caja hacen ruido. 5. Ruido del motor provocado por el control de velocidad de estado sólido variable. 6. Los tornillos que sujetan las aspas a los soportes de aspas están flojos. 	<ol style="list-style-type: none"> 1. Ajuste las aspas al ventilador antes de ponerlo en funcionamiento. 2. Asegúrese de que todos los tornillos de la caja del motor estén bien ajustados (pero no en exceso). 3. Asegúrese de que los tornillos que fijan los soportes de aspas al buje del motor del ventilador estén bien ajustados. 4. Asegúrese de que los conectores de cables en la caja del interruptor no produzcan ruido al rozar unos con otros o al rozar la pared interior de la caja del interruptor. PRECAUCIÓN: ¡Asegúrese de que el suministro principal de electricidad esté desconectado! 5. Algunos motores de ventilador son sensibles a las señales de los controles de velocidad de estado sólido variables. Los controles de estado sólido no son recomendables. Escoja un método de control alternativo. 6. Ajuste bien los tornillos.
3. EL VENTILADOR OSCILA EN EXCESO	<ol style="list-style-type: none"> 1. El tornillo de fijación y la tuerca del soporte de barral están flojos. 2. El tornillo de fijación en la unidad del barral/de la semiesfera está flojo. 3. Los tornillos que aseguran los soportes de las aspas al buje del motor están flojos. 4. Los soportes de aspas no están colocados correctamente. 5. El soporte de suspensión o la caja de distribución eléctrica del techo no están bien asegurados. 6. Las aspas del ventilador están desbalanceadas. 	<ol style="list-style-type: none"> 1. Ajuste bien los dos tornillos de fijación y las tuercas en el soporte de barral. 2. Ajuste el tornillo de fijación en la unidad del barral/de la semiesfera. 3. Asegúrese de que los tornillos que fijan los soportes de aspas al buje del motor del ventilador estén bien ajustados. 4. Asegúrese de que los soportes de las aspas del ventilador estén colocados firmemente y de manera uniforme en relación con la superficie de la caja del motor. Si los soportes están mal colocados, afloje los tornillos y vuelva a ajustarlos. 5. Ajuste los tornillos del soporte de suspensión de la caja de distribución eléctrica y asegúrela. 6. Equilibre las palas utilizando el kit de equilibrio suministrado en la bolsa del hardware.
4. NO HAY SUFICIENTE MOVIMIENTO DE AIRE		<ol style="list-style-type: none"> 1. Si es posible, considere el uso de un barral más largo. Por ejemplo, use un barral de 30,5 cm (12") en lugar del barral de 11,4 cm (4 1/2") que viene con el ventilador.



10983 Bennett Parkway
Zionsville, IN 46077

Llame sin cargo al (888) 567-2055
FAX (866) 482-5215

Desde fuera de los EE.UU., llame al (317) 733-4113
Visite nuestro sitio Web en www.fanimation.com