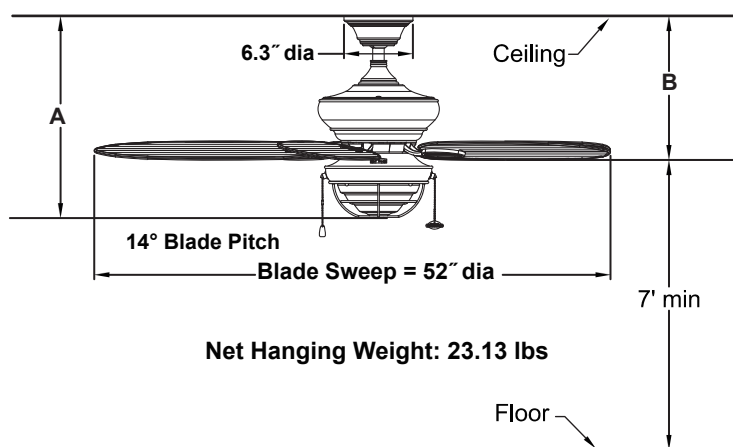


KAYA™**FP7963******52" Wet
Location Fan**

	A	B
Fan w/4.5" downrod	18.48"	13.17"
Fan w/12" downrod	25.98"	20.67"
Fan w/18" downrod	31.98"	26.67"
Fan w/24" downrod	37.98"	32.67"
Fan w/36" downrod	49.98"	44.67"
Fan w/48" downrod	61.98"	56.67"
Fan w/60" downrod	73.98"	68.67"
Fan w/72" downrod	85.98"	80.67"

Available Finish

WM	Washed Maple With Washed Maple Blade and Opal Frosted Glass
RS	Rust With Cherry Bronze Blade and Opal Frosted Glass

INSTALLATION REQUIREMENTS:

Ceiling fan attaches to electrical junction box securely anchored and capable of withstanding a load of at least 50 lbs.

ELECTRICAL REQUIREMENTS:

Ceiling fan requires a grounded electrical supply line of 120 volts AC, 60 Hz, 15 amp circuit.

MOTOR SPECS:

172 x 17 motor is designed for optimal performance with this fan.

BLADE SETS:

A set of five 21" reversible composite blades is included.

LIGHTING OPTIONS:

One 26-watt GU24 CFL bulb included. See our catalog or visit www.fanimation.com for available lighting options.

DOWNROD OPTIONS:

Fan comes with 1" dia. x 4.5" long downrod (DR1-45). Optional downrods available in 12", 18", 24", 36", 48", 60", and 72" lengths. A downrod coupler is available for installations requiring a downrod longer than 72". Fan can be mounted on a sloped ceiling up to 30°. Most sloped ceiling installations require a downrod longer than the standard 4.5" downrod. Optional sloped ceiling ball kits (SCB1-52) are available for slope angles greater than 30° and up to 52°. Optional close-to-ceiling kit is available as well—sold separately. Call technical support for more information.

LOCATION USE:

Fan is rated for dry, damp and wet locations.

Airflow / Energy Efficiency Info (120V)

Fan Speed	Max RPM	CFM	CFM / Watts	Amps	Watts
High	155	4995	77	0.56	65
Med	106	3193	107	0.38	30
Low	60	1844	172	0.23	11