

LT-311RF LED Dim controller



LT - 311RF multi-function LED controller is a universal dimming controller, which adopted advanced PWM (Pulse Width Modulation) digital dimming technology, PC engineering plastic, soft-touch button control and exquisite appearance; functional change and brightness adjustment. It can be controlled by the buttons on the controller and also by RF remote control, which widely used in the resistor current limiting single color LED products. Automatically adapt to DC 12V- 24V voltage input.

Note: LT - 311RF can be connected to our constant current power repeater to control the hi-power LED lights.

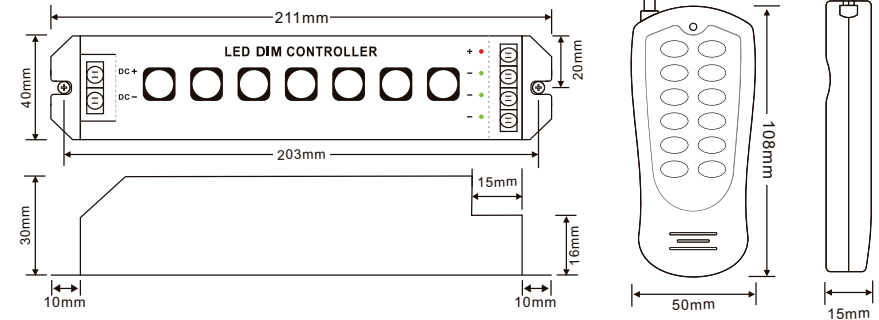
1. Technical Specs

LT-311RF (Common Anode)	
Power supply chosen	DC CV SMPS
Input Power	DC12V~DC24V
Max current load	6A/CH×3CH 18A Max
Max output power	216W/432W(12V/24V)
Dimming range	5~100%
Remote control distance	100m
Working temperature	-30°C~55°C
Dimension	L211×W40×H30(mm)
Package Size	L313×W50×H32(mm)
Weight (G.W)	230g

2. Features

1. Automatically adapt to LED lights with voltage from DC5-24V.
2. ON/OFF button function available.
3. 3-Channel single color output control, 6A per Channel, total for 18A.
4. Built-in 5 change modes and 25%、50%、75%、100% 4 shortcuts of brightness options available .
5. Speed and brightness adjustable.
6. DIY modes.
7. Long distance RF remote control .

3. Product size



4. Operating instructions

There are 8 function keys on the controller:

ON/OFF、PAUSE、MODE、DIM、SPEED/BRT+、SPEED/BRT-、M1、M2

The learning of remote control :

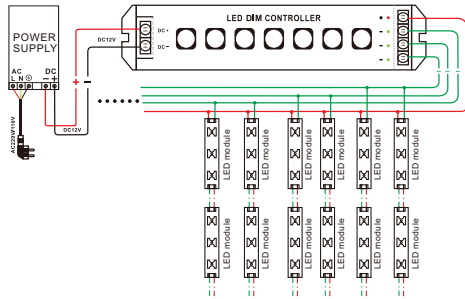
Learning ID: Press button ON/OFF on the controller for 3 seconds, it is on the state of addressing when RF green indicator light is on. Then press any button on remote control, the indicator light turns off, the controlling between the remote control and controller is activated.

Cancelling ID: Press the ON / OFF key over 5 seconds, The RF green indicator light is on and then off, Press any button on remote control, the RF green indicator light start flickering, it means the controlling between remote control and controller is cancelled.

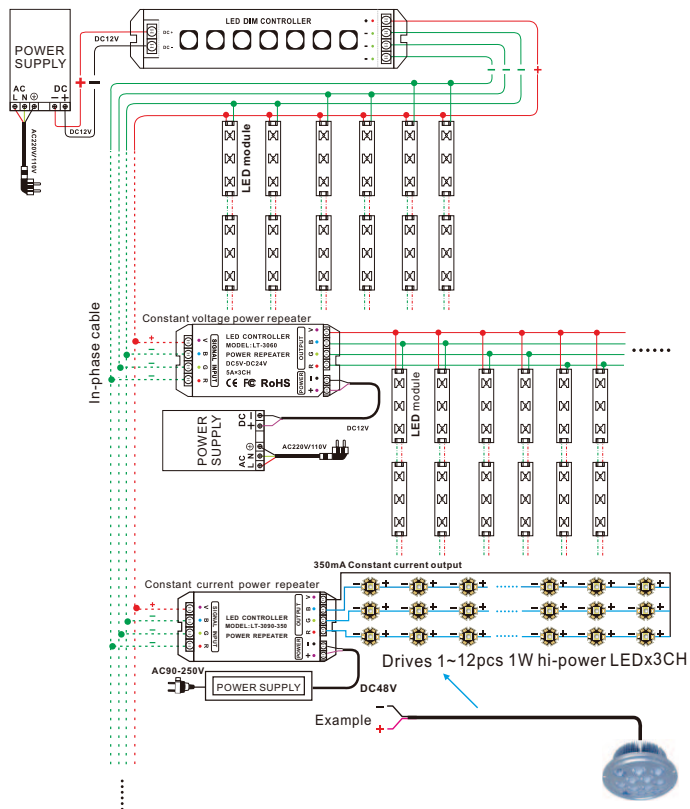
Controller sign	Remote control sign	Button	Description
		ON/OFF	Turn on/off the controller(Turn on/off the LED light).
		PAUSE	Under the MODE status, Press the key to rest at current color, it will continue to change if press again. Press in 3 seconds, the buzzer can be on or off.
		MODE	Press the key to select 5 modes: color fade in and fade out, color flicker, color strobe, color skipping and color smooth.
		DIM	easy brightness selecting function for 25%、50%、75%、100% brightness.
		SPEED/BRT+ SPEED/BRT-	Under the MODE status, press these two keys to quicken or slower speed. Under the DIM state, Press these two keys to increase or decrease the brightness. Keep pressing to adjust the brightness continuously.
		DIY	Press the key over 3 seconds, the controller will save the present function mode automatically. It is convenient for the user to save the changing mode or static brightness state that he like. The controller has M1, M2 2 keys and the remote control has M1 ~ M6 6 keys.

5. Wiring diagram

1. Connected to LED module.



2. Power repeater can be added to expand power when the power is not enough. Constant current power repeater also can be added if control the high power LED at the same time.



3

6. Attention

1. The product shall be installed and serviced by a qualified person.
2. This product is non-waterproof. Please avoid the sun and rain. When installed outdoors please ensure it is mounted in a water proof enclosure.
3. Good heat dissipation will prolong the working life of the controller. Please ensure good ventilation.
4. Please check if the output voltage of any LED power supplies used comply with the working voltage of the product.
5. Please ensure that adequate sized cable is used from the controller to the LED lights to carry the current. Please also ensure that the cable is secured tightly in the connector to avoid the accidents due to overheat and poor contact on the wire.
6. Ensure all wire connections and polarities are correct before applying power to avoid any damages to the LED lights.
7. If a fault occurs please return the product to your supplier. Do not attempt to fix this product by yourself.

7. Warranty Agreement

1. We provide lifelong technical assistance with this product:
 - A 3 year warranty is given from the date of purchase. The warranty is for free repair or replacement and covers manufacturing faults only.
 - For faults beyond the 3 year warranty we reserve the right to charge for time and parts.
 2. Warranty exclusions below:
 - Any man-made damages caused from improper operation, or connecting to excess voltage and overloading.
 - The product appears to have excessive physical damage.
 - Damage due to natural disasters and force majeure.
 - Warranty label, fragile label and unique barcode label have been damaged.
 - The product has been replaced by a brand new product.
 3. Repair or replacement as provided under this warranty is the exclusive remedy to the customer.

Ltech shall not be liable for any incidental or consequential damages for breach of any stipulation in this warranty.
 4. Any amendment or adjustment to this warranty must be approved in writing by Ltech only.
- ★ This manual only applies to this model. Ltech reserves the right to make changes without prior notice.

4