

SPECIFICATION SHEET : NPY-120-139-T5

This Is An Original Product From Fulham Co., Inc

Description : PONY Series, High Frequency Electronic, Rapid Start Ballast,

This Ballast Will Operate Following Lamps.

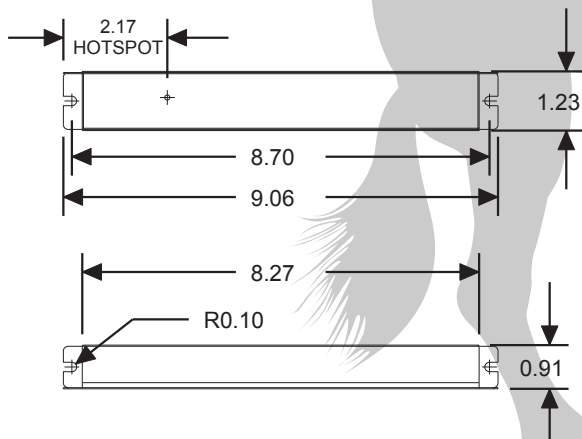


F39T5HO

ELECTRICAL DATA

INPUT VOLT: 120V ± 10%, 50/60Hz						
LAMP WATTS/TYPE	LAMPS OPERATED	INPUT WATTS	LINE CURRENT	BALLAST FACTOR	EFFICACY FACTOR	
F39T5HO	1	41	0.55	0.95	2.34	
POWER FACTOR	> .5					
THD	< 113.0					
EMI/RFI COMPLIANCE	FCC PART 18-B (CONSUMER)					
SOUND RATING	" A "					
BALLAST TYPE	RAPID START					
VOLTAGE TRANSIENTS	ANSI C82.11 - 1993					
INPUT/PROTECTION	FUZE					
MIN. OPERATING TEMP	- 30 °C (- 20 ° F)					
MAX. CASE TEMP	70 °C (158 ° F)					
APPROVALS/CLASS	UL /cUL LISTED, CLASS " P ", 1 OR 2 OUTDOOR					

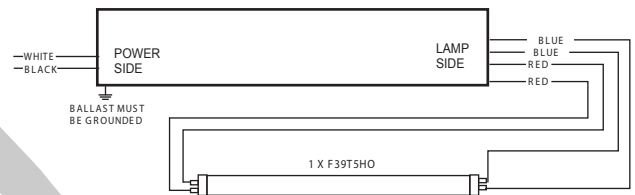
MECHANICAL DATA



Where : L = Length, W = Width, H = Height

WIRING DIAGRAMS

WIRE	BLACK	WHITE	RED	BLUE	YELLOW	BROWN
LENGTH - INCHES	18 ± 1"	18 ± 1"	36 ± 1"	36 ± 1"		



NOTE : This Ballast Case Must Be Grounded

Fulham Co., Inc extends limited warranty only to the original purchaser or to the first user for the period of **2 years** from the date of manufacture as indicated by the date code stamped on each product and when properly installed and under normal conditions of use. For additional warranty guide line, please refer to our complete product catalog or call customer service at 1-323-599-5000. DUE TO A PROGRAM OF CONTINUOUS IMPROVEMENT, FULHAM Co., INC RESERVES THE RIGHT TO MAKE ANY VARIATION IN DESIGN OR CONSTRUCTION TO THE EQUIPMENT DESCRIBED. Data is based upon tests performed by Fulham in a controlled environment and representative of relative performance. Actual performance can vary depending on operating conditions.

Address : 12705 S. Van Ness Ave., Hawthorne, CA 90250 Website: www.fulham.com To order this product: Fax: 1-323-754-9060 Email: order@fulham.com