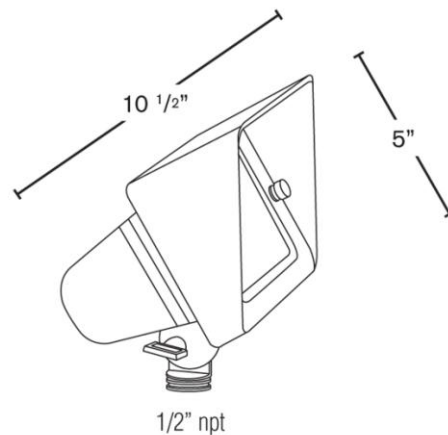


Specification Features

**Cohiba Wall Wash Litter**

**Key Features:**

Solid brass material with natural finish.  
Tempered lens – clear, frosted and linear.  
High temperature socket and O ring.  
Heavy construction (tool-less).



**Halogen:** FL-115B-T3  
**LED:** FL-115B-LED

**Halogen**

**Model#:** FL-115B-T3  
**Size:** 10 1/2"W X 5"L  
**Material:** Solid Brass  
**Finish:** Natural Bronze  
**Mounting:** 1/2" NPT stake included  
**Lens:** Clear, frost and linear included  
**Electrical:** 12V AC  
**Lamp:** 35W T3 – Included  
**Max Lamp:** 50W  
**Light Spread:** Up to 6 ft. x 9 ft.  
**Lumens:** 350 avg.  
**Lamp Life:** 2,000 hours avg.

**LED**

**Model#:** FL-115B-LED  
**Size:** 10 1/2"W X 5"L  
**Material:** Solid Brass  
**Finish:** Natural Bronze  
**Mounting:** 1/2" NPT stake included  
**Lens:** Clear, Frost and Linear included  
**Electrical:** 9v-15v AC  
**Lamp:** 4W LED T3  
**Kelvin:** 3000k, Warm White  
**Compare to:** 20w  
**Light Spread:** Up to 30 ft. x 40 degree  
**Lumens:** 560 avg.  
**Lamp Life:** 30,000 hours avg.