



MAGNETIC FLUORESCENT SIGN BALLAST

PERFORMANCE

- Minimum Starting Temperature: -20°F
- Maximum Case Temperature: 194°F, 90°C
- OCV: 500V

APPROVALS

- HL Type - Hazardous Location
- UL, cUL 935 Listed
- Class P
- Type 2 Outdoor



WIRE LENGTHS

- (1) Black 18"
- (1) White 18"
- (1) Yellow 51"
- (2) Red 33"
- (2) Blue 33"

3 YEAR WARRANTY FROM DATE OF MANUFACTURE

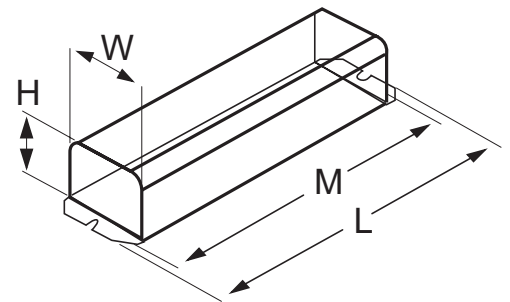
Ballast Type	Magnetic	Starting Method	Rapid Start
Lamp Connection	Series	Input Voltage	120Vac +5/ -10%
Input Frequency	60Hz		

Electrical Specifications

Lamp Type	No. of Lamps	Lamp Footage	Input Watts	Input Current (Amps)	Power Factor	Crest Factor	Ballast Factor	Ballast Efficacy Factor	Max. THD %
F24T12/HO	2	4	95	0.90	>0.90	<1.8	1.17	1.17	55
F48T12/HO	1	4	88	0.82	>0.90	<1.8	0.99	1.19	55
F48T12/HO	2	8	133	1.13	>0.90	<1.8	0.96	0.72	20
F72T12/HO	1	6	103	0.92	>0.90	<1.8	0.94	0.91	35
F72T12/HO	2	12	175	1.48	>0.90	<1.8	0.98	0.53	20
F96T12/HO	1	8	120	1.03	>0.90	<1.8	0.95	0.76	25

Physical Dimensions

Length (L): 11.75"
 Width (W): 3.19"
 Height (H): 2.60"
 Mounting (M): 11.0"



Wiring Diagram

