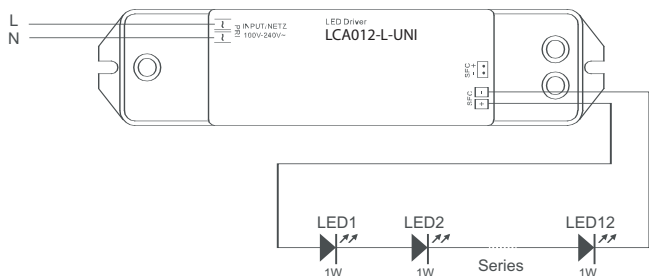


### ELECTRONIC SPECIFICATIONS

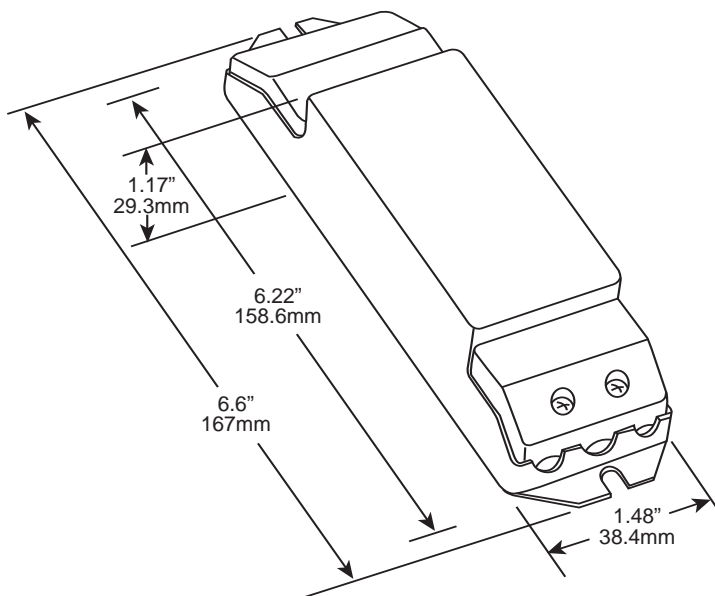


Input Voltage Range	90-264VAC
Input Frequency	50/60Hz
Output Power	7-13.9W
Input Current	70mA@230VAC
Output Voltage	3-36VDC
Output Current	350mA
Power Factor	0.95
Ambient Temp.	-20°+50°C
Case Temp. (Tc)	+90°C
Class 2	Yes

### WIRING DIAGRAM



### DIMENSIONS



### LED TYPE

High Power LED 1W x 1-12  
1.155W x 1-12

Terminals	:	Screw Terminal / Quick Connect
Case Material	:	Polycarbonate
RoHS Compliant	:	Yes
UL1310 Compliant	:	Yes
Indoor Use	:	Low Humidity / No Condensation

Regulatory Approvals

