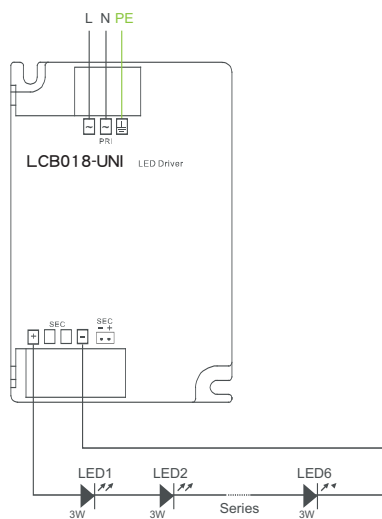


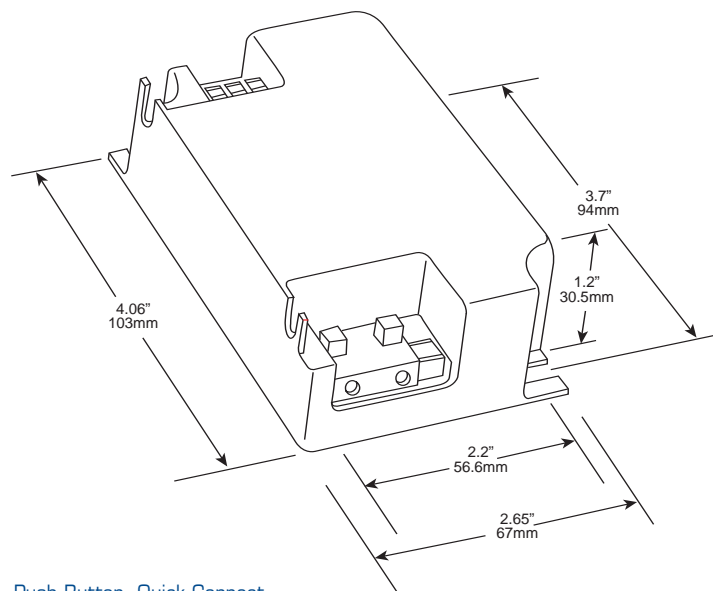
ELECTRONIC SPECIFICATIONS

Input Voltage Range	90-264VAC
Input Frequency	50/60Hz
Output Power	3-18W
Input Current	100mA@230VAC
Output Voltage	3-27VDC
Output Current	700mA
Power Factor	0.95
Ambient Temp.	-20°+50°C
Case Temp. (Tc)	+90°C
Class 2	Yes
SELV	Yes

WIRING DIAGRAM



DIMENSIONS



LED TYPE

High Power LED 3W x 1-6
5W x 1-3

Terminals	:	Push Button, Quick Connect
Case Material	:	Polycarbonate
RoHS Compliant	:	Yes
UL1310 Compliant	:	Yes
Indoor Use	:	Low Humidity / No Condensation

Regulatory Approvals

