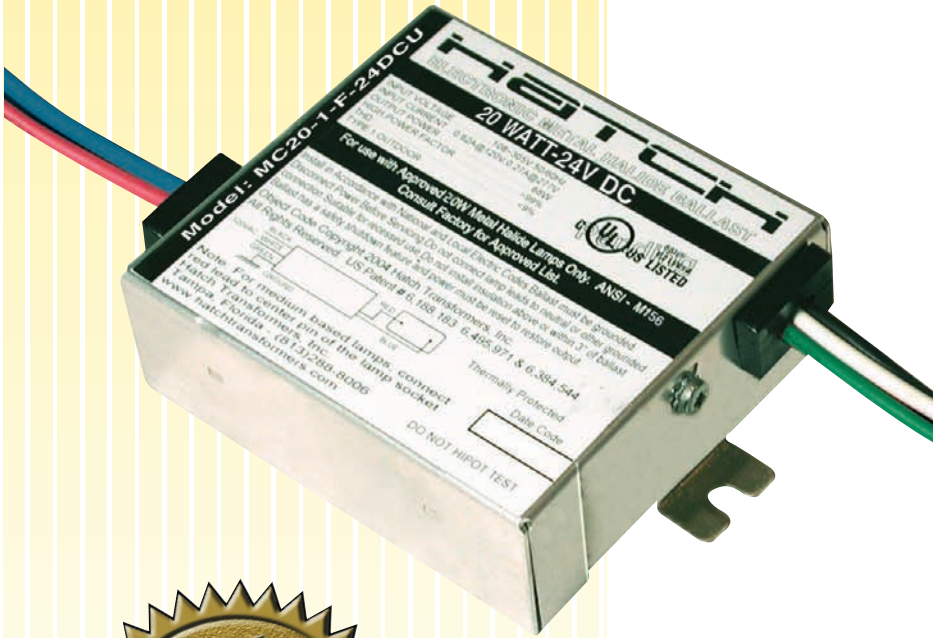


Electronic H.I.D. Ballasts

20 WATT-24V DC INPUT SIDE LEAD AND BOTTOM FEED MODELS



20 Watt 24V DC Input

Only Hatch Offers:

- Ultra low Spectral Power Density
- Patented Half Bridge Technology
- Patented Automatic Lamp Crest Factor Control "ALCFC"
- Industry Leading Remote Mount Capabilities

Features

- Superior color uniformity
- Low profile, lightweight
- Excellent Lumen Maintenance
- Constant lumen output over a wide input voltage range and lamp voltage variation
- Significant energy savings as compared to magnetic ballasts
- Thermal protection
- Approved for recessed use
- Micro Processor Controlled
 - Safety Shut Down Features
 - End of Lamp Life Protection
 - Superior Hot Lamp Restrike Characteristics
- Designed, tested & approved for most Lamp Brands.
(Contact factory for approved list)

Environmental Specifications

Minimum Starting Temperature.....-30°C
Maximum Case Temperature.....80°C
Emi/RFIComplies with FCC 18C
Sound Rating.....A
WarrantyUp to 5 Years
Safety ListingType 1 Outdoor

Electrical/Mechanical Specifications

INPUT
Voltage24V DC
Absolute Operating Limit 22V DC - 28V DC
Frequency50/60Hz
Line Regulation.....+/-0.5 output variation over
full input range
Power Factor.....> 0.95
Total Harmonic Distortion.....< 10%
OUTPUT
Lamp Operating Frequency...155Hz Square Wave
Lamp Current C.F......<1.3
ALCFCYes

Weight12 oz
Case MaterialMetal
Transient Protection.....Yes
Short Circuit Protection.....Yes
Thermal Protection.....Yes
Open Circuit / No Lamp / Hot Lamp Shutdown, Retry and Ignition Failure Protection.....Yes
 Ignition failure shutdown in 5 seconds followed by multiple timed restrikes with lamp ignition or timed shutdown until power is reset (restrike timing is lamp wattage dependent).

Lamp Distance from Ballast..... Consult factory.
Lead Lengths
Side Lead Models
Input.....13"
Output.....8"
Bottom Feed Models.....10"
Safety Standard.....



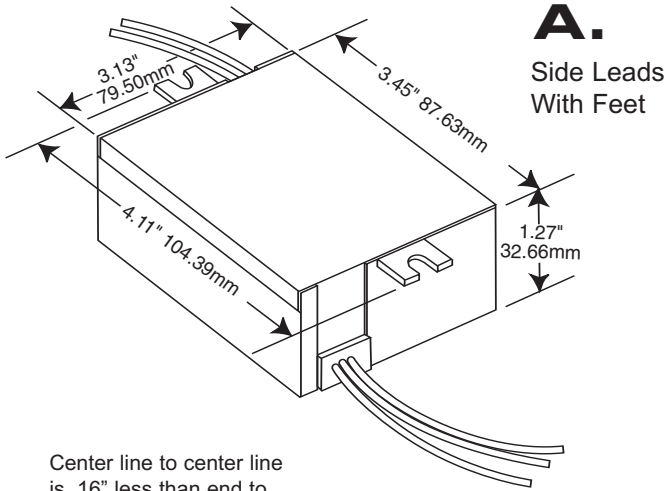
Hatch Transformers, Inc.

7821 Woodland Center Boulevard Tampa, FL 33614 • Ph: 813-288-8006 • Fax: 813-288-8105 • www.hatchlighting.com

Electronic H.I.D. Ballasts

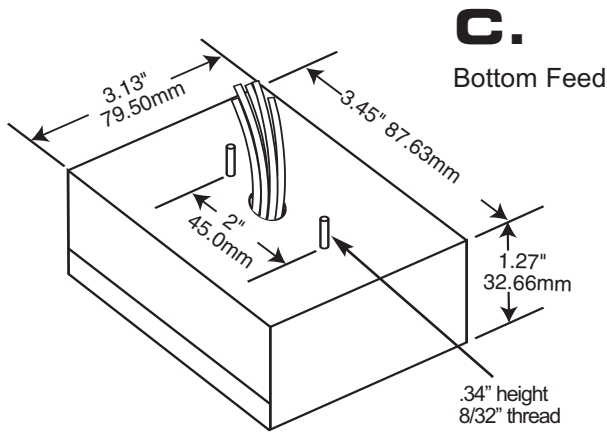
20 Watt-24V DC Input

DIMENSIONS



Center line to center line is .16\"/>

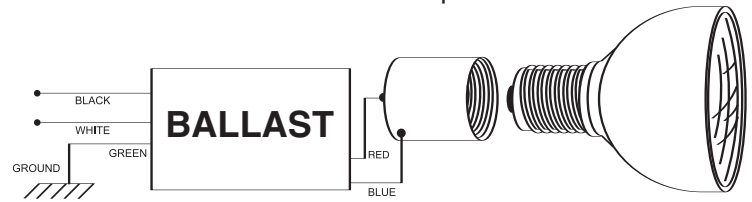
A.
Side Leads
With Feet



C.
Bottom Feed

WIRING DIAGRAMS

For PAR Lamps



For Double Ended or Bi-Pin Lamps



Watts	LAMP TYPES / ANSI CODES	No. Lamps	Nominal Input Power	Input Current	Case Dim.	Hatch Item Number
20	M156 Ceramic SLi BriteSpot 20W*	1	24 Watts	24V DC -1.0 Amps	A	MC20-1-F-24DCU
					C	MC20-1-J-24DCU

*Note: Call for manufacturer's approval.

Specifications subject to change without notice. 0909

Please call your Hatch representative or refer to the latest Hatch Electronic Ballast/Lamp Matrix for specifics.



Hatch Transformers, Inc.

7821 Woodland Center Boulevard Tampa, FL 33614 • Ph: 813-288-8006 • Fax: 813-288-8105 • www.hatchlighting.com