

# Electronic H.I.D. Ballasts



## NANO-SLIM CASE

SIDE LEAD AND BOTTOM FEED MODELS



# 20 Watt Nano-Slim

### Only Hatch Offers:

- Ultra low Spectral Power Density
- Patented Half Bridge Technology
- Patented Automatic Lamp Crest Factor Control "ALCFC"
- Industry Leading Remote Mount Capabilities

### Features

- Superior color uniformity
- Low profile, lightweight
- Excellent Lumen Maintenance
- Constant lumen output over a wide input voltage range and lamp voltage variation
- Significant energy savings as compared to magnetic ballasts
- Thermal protection
- Approved for recessed use
- Micro Processor Controlled
  - Safety Shut Down Features
  - End of Lamp Life Protection
  - Superior Hot Lamp Restrike Characteristics
- Designed, tested & approved for most Lamp Brands. (Contact factory for approved list)
- Low Voltage Lamp Shutdown

### Environmental Specifications

Minimum Starting Temperature.....-30°C  
 Maximum Case Temperature.....80°C  
 Emi/RFI.....Complies with FCC 18C  
 Sound Rating.....A  
 Warranty.....Up to 5 Years  
 Safety Listing.....Type 1 Outdoor

### Electrical/Mechanical Specifications

#### INPUT

**Voltage**.....120V AC Nominal 108-132V  
 .....Absolute operational limits 95-145V  
 .....277V AC Nominal 220-277V  
 .....Absolute operational limits. 200-305V  
**Frequency**.....50/60Hz  
**Line Regulation**.....+/-0.5 output variation over  
 .....full input range  
**Power Factor**.....> 0.95  
**Total Harmonic Distortion**.....< 10%

#### OUTPUT

**Lamp Operating Frequency**...165Hz Square Wave  
**Lamp Current C.F.**.....<1.3  
**ALCFC**.....Yes

**Weight**.....9 oz  
**Case Material**.....Metal  
**Transient Protection**.....Yes  
**Short Circuit Protection**.....Yes  
**Thermal Protection**.....Yes  
**Open Circuit / No Lamp / Hot Lamp Shutdown, Retry and Ignition Failure Protection**.....Yes

Ignition failure shutdown in 5 seconds followed by multiple timed restrikes with lamp ignition or timed shutdown until power is reset (restrike timing is lamp wattage dependent).

**Lamp Distance from Ballast**..... Consult factory.  
**Lead Lengths**  
**Side Lead Models**..... 8"  
**Bottom Feed Models**..... 10"  
**Safety Standard**.....



Hatch Transformers, Inc.

7821 Woodland Center Boulevard Tampa, FL 33614 • Ph: 813-288-8006 • Fax: 813-288-8105 • www.hatchlighting.com

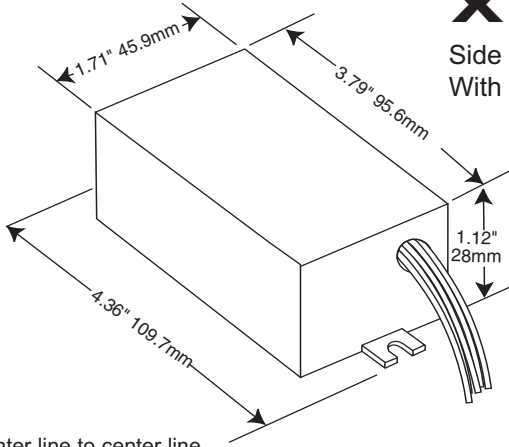
# Electronic H.I.D. Ballasts

## 20 Watt Nano Slim

### DIMENSIONS

**X1.**

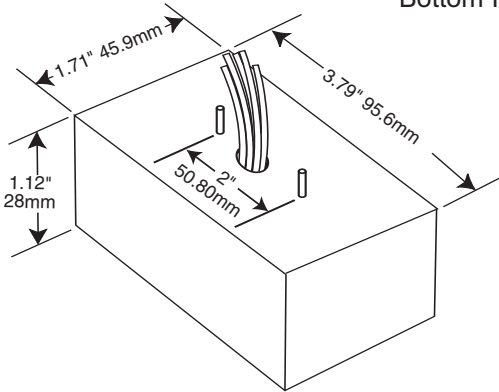
Side Leads  
With Feet



Center line to center line  
is .16" less than end to  
end on models with  
mounting feet.

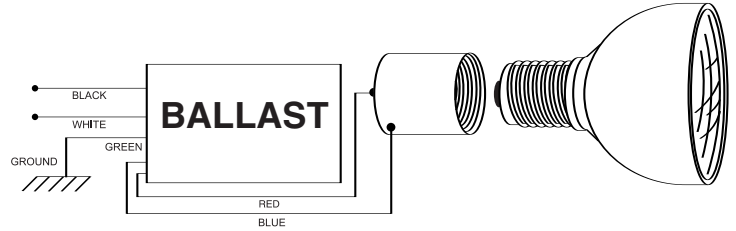
**X2.**

Bottom Feed

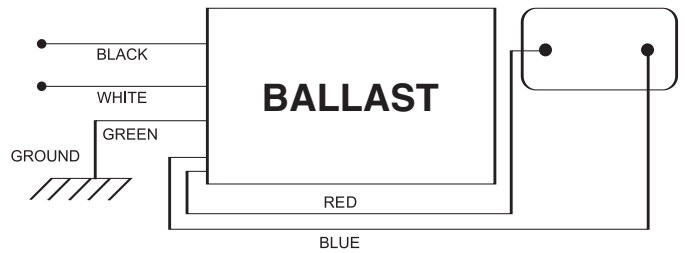


### WIRING DIAGRAMS

For PAR Lamps



For Double Ended or Bi-Pin Lamps



Watts	ANSI CODES	No. Lamps	Nominal Input Power	Input Current	Case Dim.	Hatch Item Number
20	M156 SLi BriteSpot 20W*	1	24 Watts	120V-.20 Amps 208V-.12 Amps 240V-.10 Amps 277V-.09 Amps	X1	MC20-1-F-120X MC20-1-F-277X
					X2	MC20-1-J-120X MC20-1-J-277X

\* Call for manufacturers approval.

Specifications subject to change without notice. 0909

**Please call your Hatch representative or refer to the latest  
Hatch Electronic Ballast/Lamp Matrix for specifics.**

# HATCH

Hatch Transformers, Inc.

7821 Woodland Center Boulevard Tampa, FL 33614 • Ph: 813-288-8006 • Fax: 813-288-8105 • www.hatchlighting.com