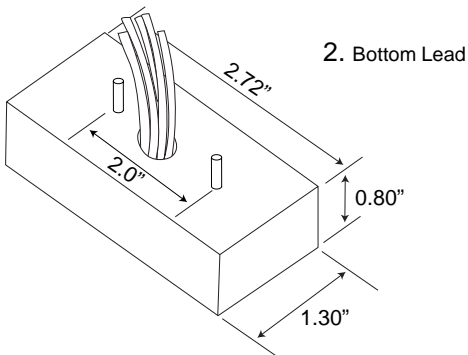
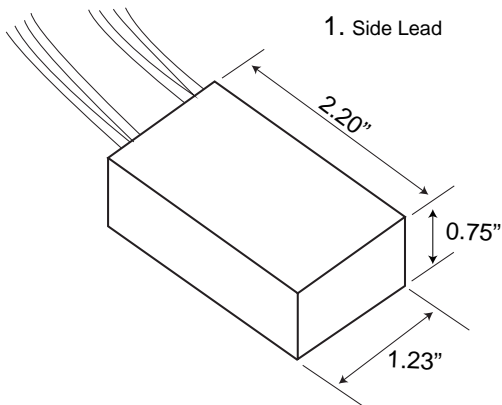


RS LED SERIES



PHYSICAL DIMENSIONS



PACKING INFORMATION

Carton Quantity: 50 count

Carton Weight: 9lbs15.2oz

Unit Weight: 2.4oz

ELECTRONIC RS LED SERIES

No Minimum Load - Full Range Dimming*

ELECTRICAL SPECIFICATIONS

Input Voltage	120VAC/230VAC (See Notes)
Input Frequency	50/60Hz
Input Current	.2A
Nominal Output Voltage	12VAC & 24VAC
Power Factor	0.90
Ambient Temp.	-20° - +50°C
Max. Case Temp. (Tc)	15W = 90°C 30, 60 & 75W = 85°C
Class 2 (15, 30, 60 Watt models)	Yes (Isolated Secondary) For 12V ONLY
Dimming	Yes*
In-Rush Current	NSI/EEE C62.41, Class A Operation Compliant
Short Circuit Protection	Yes

MECHANICAL SPECIFICATIONS

Hard Wire Leads	Input Leads: AWG#18 stranded, 6", black and white
	Output Leads: AWG#18 stranded, 6", red
Case Material	Aluminum

NOTES

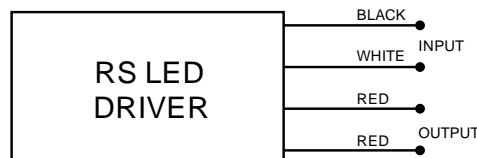
- 1) Hatch RS A/C LED Drivers can also operate 12V Halogen Lamps.
- 2) 230V models available, special order ONLY - Not UL approved

* Full range dimming approved only for 120V models

REGULATORY APPROVALS

- RoHS Compliant
- UL1310 Compliant

WIRING DIAGRAM



Max Watts	Input Volts	Input Amps	Nominal Output Volts	Output Amps	Case Style	Hatch Part No.			
15	120	.15	12	1.3	1	RS12-15M-LED			
			24	.62	2	RS12-15BF-LED			
			12	2.5	1	RS24-15M-LED			
			24	1.25	2	RS24-15BF-LED			
30	120	.30	12	2.5	1	RS12-30M-LED			
			24	1.25	2	RS12-30BF-LED			
			12	5.0	1	RS24-30M-LED			
			24	2.5	2	RS24-30BF-LED			
			60	230	.27	12	5.0	1	RS12-60M-230-LED (See Note 2)
						24	3.1	2	RS12-60BF-LED
120	.60	12		5.0	1	RS12-60M-LED			
		24		2.5	2	RS12-60BF-LED			
75	120	.75	12	6.25	1	RS24-60M-LED			
			24	3.1	2	RS24-60BF-LED			
			12	6.25	1	RS12-75M-LED			
			24	3.1	2	RS12-75BF-LED			
75	120	.75	12	6.25	1	RS24-75M-LED			
			24	3.1	2	RS24-75BF-LED			

Please refer to LED product manufacturer data sheets for compatibility with the RS LED products. Hatch does not perform compatibility and/or dimmer compatibility testing with other manufacturers LED lamp products. See lamp manufacturers listings of approval of their products with our drivers.