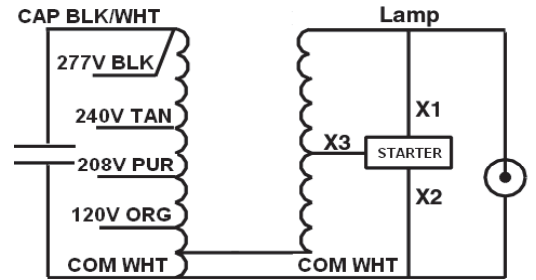


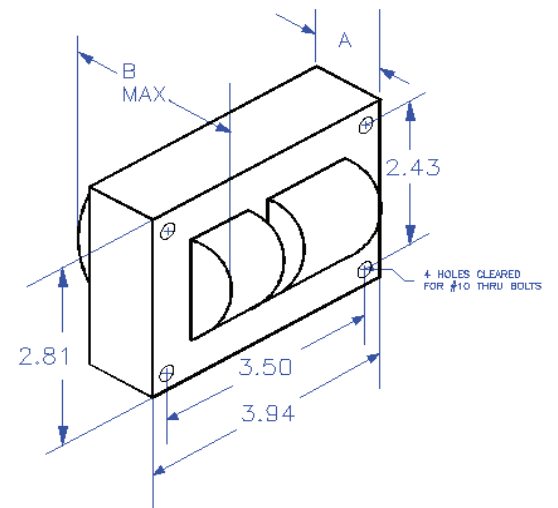
<b>Input Volts</b>		<b>120</b>	<b>208</b>	<b>240</b>	<b>277</b>
<b>Circuit Type</b>	HX-HPF				
<b>Power Factor</b>	> 90%				
<b>Regulation</b>					
Line Volts	+ / - 5%				
Lamp Watts	-8% +8%				
<b>Line Current (Amps)</b>					
Operating		0.80	0.45	0.40	0.35
Open Circuit		1.65	0.95	0.80	0.70
Starting		0.75	0.55	0.50	0.35
Recommended Fuse		4	3	2	2
<b>UL Temperature Ratings</b>					
Insulation Class	H(180C)				
Coil Temperature Code		A	A	A	A
Benchtop Coil Rise: Primary		< 75C	< 75C	< 75C	< 75C
Benchtop Coil Rise: Secondary		< 75C	< 75C	< 75C	< 75C
<b>Input Watts</b>		92	92	92	92
<b>Nominal Open Circuit Volts</b>	250				
<b>Current Crest Factor</b>	1.5				
<b>Input Voltage at Lamp Dropout</b>		85	140	165	185
<b>Min. Ambient Starting Temp.</b>	-20F -30C				
<b>High Potential Test (Volts)</b>					
1 Minute		1600			
1 Second		1900			
<b>Open Circuit Voltage Test (Volts)</b>					
Open Circuit Voltage		225 - 275			
Input Current		min	1.2	0.7	0.6
		max	2.0	1.2	1.0
<b>Short Circuit Current Test (Amps)</b>					
Secondary Current		0.95 - 1.20			
Input Current		min	0.45	0.25	0.25
		max	0.85	0.50	0.45
<b>Core and Coil Specifications</b>					
Dimension "A"		1.45			
Dimension "B"		2.85			
Weight (lbs.)		4.6			
Lead Lengths (in.)		12			
<b>Capacitor Specifications</b>					
Microfarads		8			
Volts (min.)		280			
		<b>Round DRY</b>			
Case Size (in.)		1.21			
Height (in.)		2.76			
Temp Rating - C		100			
<b>Starter Specifications</b>					
HI Model No.		ST1001 / BVS032			
BTL		2-ft			
Temp Rating ( C)		105			

Wiring Diagram



Starter BVS032: X1- Red/Wht; X2 - Yellw; X3 - Blue  
 Starter ST1001: X1- Red; X2 - White; X3 - Blue

Dimensional Diagram



Regulatory



RoHS

Rev. Date: 11/21/2011  
 Cat. Ref.: 1093-910345-XXX

Test Ref.: Validation

Specifications subject to change without notice.