

2/18/2013

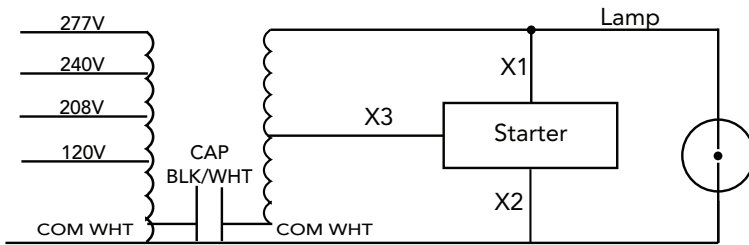
**1000 Watt M141 60Hz  
Pulse Start Metal Halide**

Project:	
Catalog#:	
Approved by:	

Input Volts (60 hz)	120	208	240	277
Input Watts	1077	1077	1077	1077
Approx Line Current (Amps)*	9.2	5.3	4.6	4.0
Circuit Type	PSCWA			
ANSI	M141			
Insulation Class	Class H			
Power Factor	> 90%			
Regulation	Line Volts: ±10% Lamp Watts: ±10%			
Min. Ambient Starting Temp.	-20°F/-30°C			
High Potential Test (Volts)	1 Minute: 2000 1 Second: 2400			
Lead Lengths (inches)	12			
UL Temperature Ratings*	1029C			
Capacitor*	24.0/480V Min. Included in kit			
Starter/Ignitor	ST2002. Included in kit			

\* See Ballast Label for exact values and additional information

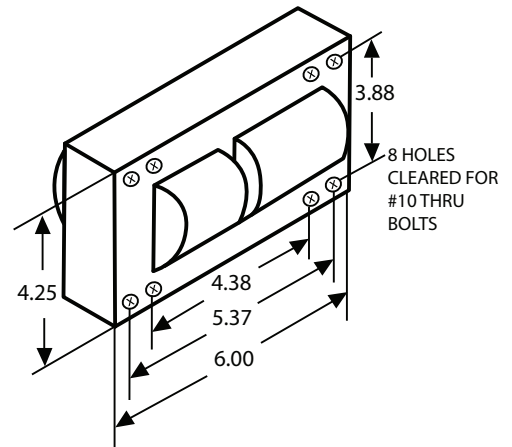
**WIRING DIAGRAM**



**HID Ballast Kit**

- Ballast
- Capacitor
- Starter (if required)
- Mounting Bracket

**DIMENSIONAL DRAWING**



Specifications subject to change without notice.



High Intensity Discharge Ballasts