

LINEAR FLUORESCENT

I-232 PARALLEL LAMP OPERATION FLUORESCENT EMERGENCY BALLAST



LUMEN OUTPUT

1400 Lumens
700 Lumens Per Lamp

LAMPS OPERATED - 2 LAMPS ONLY

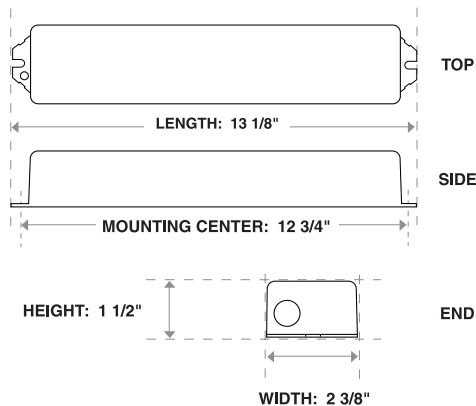
Most 2'-4' single, bipin, T8 & T12,
HO or VHO fluorescent lamps

EMERGENCY OPERATION

90 Minutes

The **I-232** from IOTA Engineering is a UL Listed fluorescent emergency ballast that allows the same fixture to be used for both normal and emergency operation. In the event of a power failure, the **I-232** switches to the emergency mode and operates **two** of the existing lamps **in parallel** for **90 minutes**. The unit contains a battery, charger, and inverter circuit in a single can, and can be mounted in the wireway or on top of the fixture. The **I-232** can be used with most **2'-4'** lamps, with an initial output of up to **1400 lumens** for **two lamps** (700 lumens each lamp). The **I-232** is compatible with **all** electronic or magnetic, series or parallel output, multi-lamp ballasts.

CASE DIMENSIONS



TECHNICAL SPECIFICATIONS

Input Voltage	120/277V, 60Hz
Input Wattage	4 Watts
Lamps Operated	Most 2'-4' single, bipin T8 & T12, HO or VHO fluorescent lamps
Emergency Operation	90 minutes
Initial Illumination	(2) lamps - 1400 lumens* (700 lumens each lamp)
Operating Temp	0° to 55° C
Approval	U.L. and C.U.L. Listed
Weight	3.6 lbs.

*Initial Illumination is 1000 lumens when one lamp is inoperable

U.L. and C.U.L. Listed

Will cold start and operate all specified lamps

Long life high temperature recyclable Ni-Cad battery

90 minute emergency operation

Galvanized steel case

Includes test switch and charge indicator
accessory kit

5-Year Warranty. See Warranty Page for details.

Time delay enhancement

Open circuit isolation

For use with any magnetic or electronic ballasts

Dual voltage 120/277V, 60Hz

DL Model suitable for use in enclosed and gasketed fixtures

Meets or exceeds all National Electrical Code and Life
Safety Code Emergency Lighting Requirements

International Voltage and Damp Location Models available

MODEL NO: I-232

TYPE:

PROJECT:

COMMENTS:

IOTA ENGINEERING

P.O. BOX 11846 TUCSON, AZ 85734
(520) 294-3292 • FAX (520) 741-2837

www.iotaengineering.com

SAMPLE SPECIFICATIONS

I-232 SAMPLE SPECIFICATION

Emergency lighting shall be provided by using a standard fluorescent fixture equipped with an **IOTA I-232** fluorescent emergency battery pack. The **I-232** shall consist of a high temperature, maintenance-free nickel cadmium battery, charger board and an electronic circuit enclosed in a 13 1/8" x 2 3/8" x 1 1/2" vandal-resistant galvanized steel case for installation either inside the wireway or on top of the fixture. A long-life LED charge indicator light and test switch shall be included. The fluorescent EM pack shall operate **two** 20w-40w (2'-4') T8 - T12 fluorescent lamps, in **PARALLEL OPERATION**. The **I-232** shall provide reduced illumination for a minimum of 90 minutes in the emergency mode with a total initial output of 1400 lumens. Should one lamp become inoperable, the remaining lamp shall operate at a minimum initial output of 1000 lumens. The **I-232** shall have 4 watts of input power and a battery capacity of 24 watt hours. The **I-232** is UL Listed and meets or exceeds all NEC and Life Safety Code Emergency Lighting Requirements. The **I-232** is warranted for a full five (5) years from the date of purchase.

PARALLEL LAMP SAMPLE SPECIFICATION

Emergency lighting shall be provided by using a standard fluorescent fixture equipped with an integral fluorescent emergency battery pack. The EM pack shall consist of a high temperature, maintenance-free nickel cadmium battery, charger board and an electronic circuit enclosed in a galvanized steel case for installation either inside the wireway or on top of the fixture. A long-life LED charge indicator light and test switch shall be included. The fluorescent EM pack shall operate **two** 20w-40w (2'-4') T8 - T12 fluorescent lamps in parallel lamp operation. The EM pack shall provide reduced illumination for a minimum of 90 minutes in the emergency mode with a total initial output of 1400 lumens. Should one lamp become inoperable, the remaining lamp shall operate at a minimum initial output of 1000 lumens. The unit shall have 4 watts of input power and a battery capacity of 24 watt hours. The EM pack must be UL Listed and meet or exceed all NEC and Life Safety Code Emergency Lighting Requirements. All product shall be warranted for a full five (5) years from the date of purchase.

OPTIONS

CONFIGURATION

- TBTS
- TWO-PIECE (TEST SWITCH AND CHARGE INDICATOR)
- TWO-PIECE WITH OEM 90° CONNECTOR

SPECIALTY

- DL - SUITABLE FOR USE IN DAMP LOCATIONS AND ENCLOSED AND GASKETED FIXTURES.

VOLTAGE RATINGS

- 120/277V 60HZ (STANDARD)
- 220V 50HZ
- 240V 60HZ
- 120V 50HZ

AVERAGE LUMEN RATINGS

LAMP	2 LAMPS
F17 T8	1000
F32 T8	1400
F20 T12	900
F40 T12	1200

REMOTE MOUNTING

When battery packs are remote mounted, the remote distance can not exceed 1/2 of the distance from ballast to lamp specified by the A.C. ballast manufacturer. For example, if the A.C. ballast manufacturer recommends no more than 25' remote distance, then the battery pack should not exceed 12 1/2'. The maximum allowable remote mounting distance is 50' from the lamp.