

# LINEAR FLUORESCENT

# I-48 FLUORESCENT EMERGENCY BALLAST



### LUMEN OUTPUT

(1) Lamp - 700 Lumens  
(2) Lamps - 350 Lumens Per Lamp

### LAMPS OPERATED

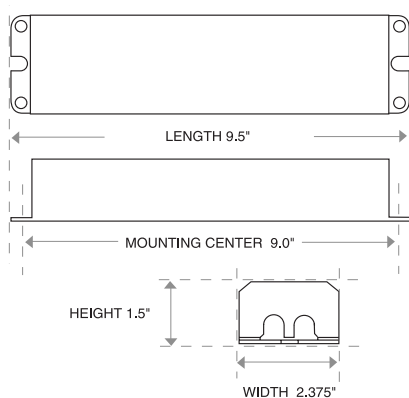
Most 2'-8' single, bipin, T8 & T12,  
HO or VHO fluorescent lamps, incl. long compact

### EMERGENCY OPERATION

90 Minutes  
(1) 2'-8' or (2) 2'-4'

The I-48 from IOTA Engineering is a UL Listed fluorescent emergency ballast that allows the same fixture to be used for both normal and emergency operation. In the event of a power failure, the I-48 switches to the emergency mode and operates **one or two** of the existing lamps for **90 minutes**. The unit contains a battery, charger, and inverter circuit in a single can, and can be mounted in the wireway or on top of the fixture. The I-48 can be used with most 2'-8' lamps, with a total initial output of up to **700 lumens** for one or two lamps, and features lamp selector leads for optimizing light output for designated lamp types.

### CASE DIMENSIONS



### TECHNICAL SPECIFICATIONS

Input Voltage ..... 120/277V, 60Hz  
 Input Wattage ..... 3.5 Watts  
 Lamps Operated ..... Most 2'-8' single, bipin  
 T8 & T12 HO and VHO  
 fluorescent lamps, incl. long compacts  
 Emergency Operation ..... (1) 2'-8' or (2) 2'-4' 90 minutes  
 Initial Illumination\* ..... (1) lamp 700 lumens  
 (2) lamps 350 lumens each lamp  
 \*Long compact - (1) lamp only  
 Operating Temp ..... 0° to 55° C  
 Approval ..... U.L. and C.U.L. Listed  
 Weight ..... 2.4 lbs.

**U.L. and C.U.L. Listed**

**Will cold start and operate all specified lamps**  
**Long life high temperature recyclable Ni-Cad battery**  
**Galvanized steel case**

**90 minute emergency operation**

**Dual voltage 120/277V, 60Hz**

**Includes test switch and charge indicator accessory kit**

**5-Year Warranty. See Warranty Page for details.**

**Time delay enhancement**

**Open circuit isolation**

**Selectable lamp leads for optimizing light output  
for desired lamp type**

**DL Model suitable for use in enclosed and gasketed fixtures**

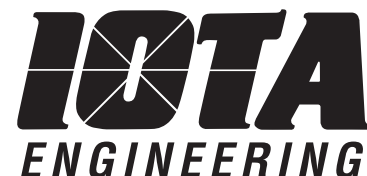
**Meets or exceeds all National Electrical Code and Life  
Safety Code Emergency Lighting Requirements**

**International Voltage and Damp Location Models available**

MODEL NO: I-48          TYPE:

PROJECT:

COMMENTS:



P.O. BOX 11846    TUCSON, AZ 85734  
(520) 294-3292 • FAX (520) 741-2837  
www.iotaengineering.com

## OPTIONS

### CONFIGURATION

- TBTS (STANDARD)
- TWO-PIECE (TEST SWITCH AND CHARGE INDICATOR)
- TWO-PIECE WITH OEM 90° CONNECTOR

### SPECIALTY

- DL - SUITABLE FOR USE IN DAMP LOCATIONS AND ENCLOSED AND GASKETED FIXTURES.
- EM-A (REMOTE MOUNTING)

### VOLTAGE RATINGS

- 120/277V 60HZ (STANDARD)
- 220V 50HZ
- 240V 60HZ
- 120V 50HZ

## AVERAGE LUMEN RATINGS

LAMP	1 LAMP	2 LAMPS
F17 T8	450	650
F32 T8	700	675
8' T8 (FO96) (59W)	675	
F20 T12	390	650
F40 T12	660	650
8' T12 (F96T12) (60W)	650	
40W Biax	600	
50W Biax	625	
55W Biax	650	
20W Circline	390	
40W Circline	650	
55W Circline T5	650	

## REMOTE MOUNTING

When battery packs are remote mounted, the remote distance can not exceed  $\frac{1}{2}$  of the distance from ballast to lamp specified by the A.C. ballast manufacturer. For example, if the A.C. ballast manufacturer recommends no more than 25' remote distance, then the battery pack should not exceed 12 $\frac{1}{2}$ '. The maximum allowable remote mounting distance is 50' from the lamp.