

LED-8027 Post Top / Site / Wall Pack

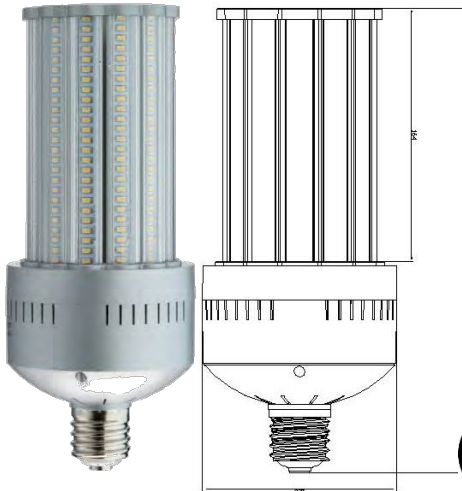
100w = 250W
LED MH / HPS

SKU No. (USA)	SKU No. Canada
LED-8027M30	LED-8027M30C 100W, 3000K
LED-8027M42	LED-8027M42C 100W, 4200K
LED-8027M57	LED-8027M57C 100W, 5700K

Description:

LED retrofit design to replace MH and HPS lamps up to 250w. Fully encapsulated, 100 watt LED with E39 Mogul base. Suitable for fully enclosed post top, shoe box and other typical HID fixtures giving full even illumination. UL1598C classification maintains modified fixture's UL certification.

- 100W power consumption
- Replaces up to a 250W HID
- 360° Illumination
- 120-277VAC, Non-Dimmable (USA)
- 120-347VAC, Non-Dimmable (Canada)
- Available in 3000K, 4200K & 5700K CCT
- >80 CRI
- 50,000 hr. rated L70 LED life
- Operating temp: -40°F - 122°F
- Double insulated
- UL Classified Damp (US & CA)
- 5 Year warranty



Applications:

LED Post top / Site / Area LED for HID retrofit lamps lower energy costs, bulb and ballast replacement costs and also can greatly reduce costly equipment rental when re-lamping HID lamps on and off cycle. LED for HID retrofits will also eliminate lamp disposal issues due to the mercury content in many HID lamps.

- Outdoor area lighting
- Large Post Top
- Shoe Box
- Area

Packaging: 4/Master Carton

Unit : 7.3" x 7.3" x 13.8"
 Master: 15" x 15" x 14.3"

Technical Specifications

Bulb Type	HID Retrofit	Mounting	E39
Bulb Material	Aluminum/ Polycarbonate	LEDs:	300 Samsung #5630 SMD LED's
Power Consumption	100 watts	Beam Angle	120 °
Lumens	3000K: 8100 Lm 4200K: 8250 5700K: 8300 Lm	Dimmable	No
Efficacy	81 / 95 Lumens per watt	Replaces	Up to 250W HID
Rated LED Life	Up to 50,000 Hrs.	CCT	3000K 4200K 5700K
Power Factor:	>99	CRI:	> 80
IR / UV	None	Mercury/ Lead Content	None
Warranty	5 year Limited	Dimensions	11.9" X 4.9"

Installation Notes:

- When installing LED-8000 series retrofit lamps within HID fixtures, ballast must be bypassed when present.
- 8000 series retrofits are UL damp rated, sealing the fixtures after installation will deliver best results.
- Installing surge/lightning protectors is highly recommended and helps to eliminate premature driver failure caused by surges and other power fluctuations.

Note: All specification information falls within a ± 2% range and is subject to change without notice.

NOTE: Light Efficient Design is providing this information to the general public. Please note that all products contained herein are trademarked, copyrighted, and/or have patents pending. Any use of these designs is strictly prohibited without prior written consent. Light Efficient Design protects its proprietary information vigorously in the courts of the United States of America.



106 S. Wynstone Park Drive • N. Barrington, IL 60010
(847) 380-3540 • FAX: (847) 380-3542
www.led-llc.com