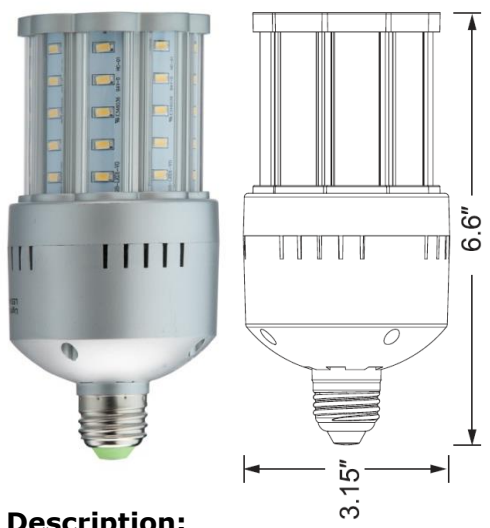


LED-8028 Post Top / Bollard / Wall Pack

<u>SKU (USA)</u>	<u>SKU (Canada)</u>	<u>Description</u>
LED-8028E30	LED-8028E30C	21W 3000K
LED-8028E42	LED-8028E42C	21W 4200K
LED-8028E57	LED-8028E57C	21W 5700K

Technical Specifications

Models US/CAN	LED-8028E30/ LED-8028E30C	LED-828E42/ LED-8028E42C	LED-8028E57/ LED-8028E57C
CCT	3000K	4200K	5700K
Power Consumption	21 watts		
Replaces	70w MH/HPS		
Mounting	E26		
Voltage	120-277VAC (USA) 120-347VAC (CANADA)		
LED Type	40 Samsung #5630 SMD		
Beam Angle	360		
Dimmable	No		
Operating Temp	-40°F - +122°F		
Rated R70 Life	Up to 50,000 Hrs.		
Warranty	5 Year Limited*		
LM79 Specifications	Yes	Yes	Yes
Power (W)	21.5	20.9	21.1
CCT	3300	4317	5718
Light Output	2058.9	2073	1991.2
Efficacy	95.77	99.19	94.37
THD @ 277V	19.45%	19.32%	19.23%
PF @ 277V	0.944	0.943	0.943
CRI:	0.845	84.4	85.5
R9	15	16	33
Duv	-0.0019	-0.0004	0.0028
Packaging	9 / Master Carton		
Unit	4.7" x 4.7" x 8.86" 1.14 lbs.		
Master	14.8" x 14.8" x 9.5" 11.2 lbs.		



21W
LED for HID
Replaces
70W
MH / HPS



Description:

21W LED retrofit lamp to replace MH and HPS lamps up to 70w, E26 Medium base. Integrated insect/dust screen. UL damp rated approved for fully enclosed fixtures.

Features:

- Replaces 70w HID Lamps
- 120-277V or 120-347V (Canada)
- UL approved for fully enclosed fixtures and damp environments (USA & Can)
- Active Cooling Fan >70,000 hr. rated life
- 50,000 rated life
- 5 year limited warranty (see website for details)

Applications:



Wall Pack Bollard Post Top

Installation Notes:

- When installing LED-8000 series retrofit lamps within HID fixtures, **ballast must be bypassed** when present.
- 8000 series retrofits are UL damp rated, sealing the fixtures after installation will deliver best results.
- **Installing surge/lightning protectors is highly recommended** and helps to eliminate premature driver failure caused by surges and other power fluctuations.

Note: All specification information falls within a ± 2% range and is subject to change without notice.

NOTE: Light Efficient Design is providing this information to the general public. Please note that all products contained herein are trademarked, copyrighted, and/or have patents pending. Any use of these designs is strictly prohibited without prior written consent. Light Efficient Design protects its proprietary information vigorously in the courts of the United States of America.