

decora® IllumaTech® Preset Slide & Rotary Controls



RTDo1-10

IPLo6-10

RPIo6-1L

APPLICATIONS

To simplify inventory, IllumaTech® Slide and Rotary Controls are designed for both single pole (one location) and 3-way (two location) applications. IllumaTech Preset Slide Controls feature a smooth, captured slide bar for fine adjustment of lighting levels and an easy to use push button that provides preset ON/OFF switching. Color change kits simplify inventory by diminishing the need for stocking separate devices in every color. Additionally, the IPLo6 features a future-proof dimming platform that is compatible with incandescent and dimmable LED and CFL lamps.

IllumaTech slide controls include LED, CFL, magnetic low voltage, electronic low voltage and fluorescent lighting dimmers, as well as full range and quiet fan speed controls. IllumaTech Rotary Controls combine the ease of a traditional rotary knob with the contemporary look of Decora®. They are perfect for specifiers, lighting designers and engineers who require reliable performance and a modern rotary look. Rotary controls include push on/push off dimmers in illuminated and non-illuminated versions, as well as quiet fan speed controls and a combination dimmer/fan speed control.

FEATURES AND BENEFITS

- LED Illuminates when load is off (select models)
- Provide single pole (one location) or 3-way (two location) lighting control when used with a 3-way switch
- Attractive styling coordinates perfectly with Leviton's complete line of Decora wiring devices
- Compatible with Decora Plus™ screwless and Decora standard designer wallplates
- Built-in radio/TV interference filter
- Fit easily into a standard wallbox and are suitable for multi-gang installations
- IllumaTech controls come packaged with six product options in each box for superior versatility; 3 changeable color faces and single pole or 3-way control

IllumaTech Preset Slide Controls

- Fluid slide movement allows fine adjustment of light level with minimal effort
- Captive wraparound slide bar remains securely attached
- Compatible with dimmable LED and CFL lamps
- Easy to use push button switch with green LED locator
- Push button switch acts as an air gap switch completely disconnecting power from unit for bulb changing
- Slide controls travel approximately 20mm
- Power failure recovery ensures retention of last setting before power interruption
- Quiet 1.5 amp fan speed controls are ideal for libraries, home offices, bedrooms and any area where ceiling fan noise could become distracting. Full range 5 amp fan speed controls are also available
- Color change kits are self aligning and automatically connect to slide mechanism when snapped onto the device
- Color change kits offer quick color changeover to contractors, increased decorating options to customers and simplify stocking inventory for distributors

IllumaTech LED/CFL/Incandescent Dimmer

- IPLo6 designed specifically for dimmable LED and CFL lamps as well as incandescent
- Features a built-in starting technology for CFL lamps
- Wider dimming range on LED and CFL lamps than conventional incandescent dimmers
- Optional programming feature allows for users to modify the dimming range to optimize low light level performance when required

IllumaTech Rotary Controls

- Rotary knob with contemporary styling
- Quiet 1.5 amp fan speed controls are perfect for libraries, home offices, bedrooms and any area where ceiling fan noise could become distracting
- Dual fan speed control and dimmer is ideal for ceiling fans with built-in light fixtures

SPECIFICATIONS

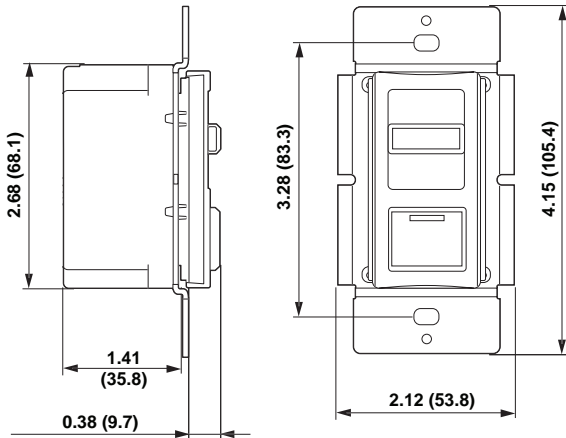
- Operating 0°C - 55°C
- Non-operating 10°C - 85°C
- Relative humidity, non-condensing 20% to 90%

Leviton Mfg. Co., Inc.

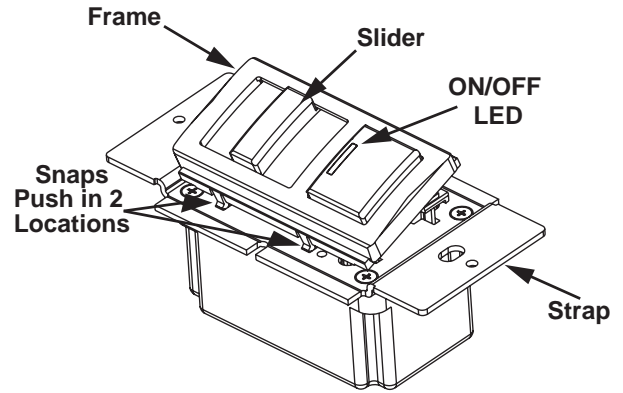
201 North Service Road, Melville, NY 11747 Tech Line: 1-800-824-3005 Fax: 1-800-832-9538 www.leviton.com
© 2012 Leviton Manufacturing Co., Inc. All rights reserved. Subject to change without notice.

DIMENSIONAL DRAWINGS

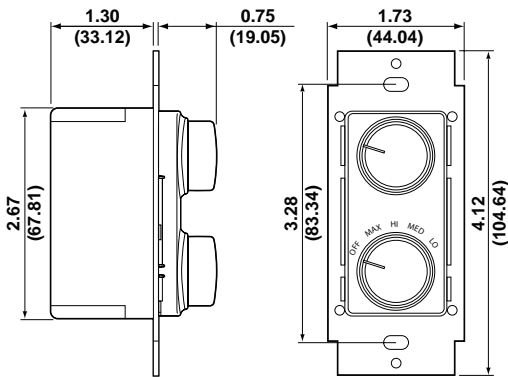
IllumaTech Preset Slide Controls



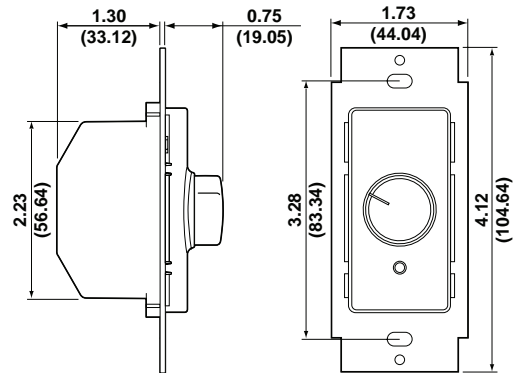
Color Change Kit for IllumaTech Slide Controls
(Preset Kit Shown)



IllumaTech Dual Controls



IllumaTech Rotary Controls



AGENCY STANDARDS AND COMPLIANCE

- UL Listed (File #E-31373)
- CSA Certified (File #LR-3413)

INSTALLATION CONSIDERATIONS

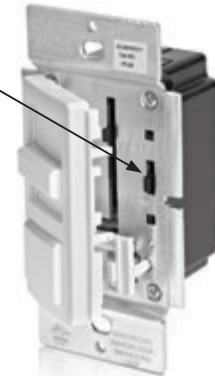
Note: Sharing a neutral wire may cause flickering. Connect all devices to the same phase or run a separate neutral to each phase. Consult Leviton Techline if problems persist.

Warning: When retrofitting Mark 10® Powerline dimming ballasts into fixtures that originally had Instant Start ballasts, the sockets MUST be replaced with Rapid Start sockets to allow proper dimmer operation and prevent property damage, injury or death. Refer to the instructions provided with the ballast and the Leviton dimmer.

IPLo6: LED and CFL lamps marked or rated as dimmable can be used with this dimmer. For a complete list of approved LED and CFL lamps visit www.leviton.com/universal

Use Leviton Power Extenders to extend the load capacity of box mounted dimmers. Leviton Power Extenders are available for incandescent, magnetic low voltage, electronic low voltage, Mark 10® Powerline fluorescent dimming ballasts or equivalents and 0-10 VDC dimmable fluorescent ballasts such as Mark 7® 0-10V, OSRAM Sylvania Quicktronic® Helios™ or equivalent ballasts.

**Lamp Selector/
Programming
Switch**



- CFL mode for dimmable CFLs. This feature provides a higher starting voltage that is required for many Compact Fluorescent Lamps.
- LED/Incandescent mode provides optimized dimming for LED lamps and for incandescent operation.
- Switch also enables the programming mode allowing users to change the dimmer low light settings for applications where the user experiences unstable light or flicker.

Leviton Mfg. Co., Inc.

201 North Service Road, Melville, NY 11747 Tech Line: 1-800-824-3005 Fax: 1-800-832-9538 www.leviton.com
© 2012 Leviton Manufacturing Co., Inc. All rights reserved. Subject to change without notice.

Maximum Load for Multi-Gang Applications

In multi-gang applications derating may be required in accordance with the following charts. For controls with side sections fin removal may be required (consult instruction sheets for further details).

CAT. NO.	SINGLE	2-GANG	3-GANG OR MORE
IPI06-1L	600W	500W	400W
IPI10-1L	1000W	800W	700W
IPL06-10	600W Incandescent 150W LED/CFL	500W Incandescent 150W LED/CFL	400W Incandescent 150W LED/CFL
IPE04-1L	400VA (320W)	350VA (280W)	250VA (200W)
IPM06-1L	600VA (450W)	500VA (375W)	400VA (300W)
IPM10-1L	1000VA (800W)	800VA (640W)	700VA (560W)
IP710-DL	1200VA/1500VA	1200VA/1500VA	1200VA/1500VA
IPX06-10	600VA	500VA	400VA
IPX10-10	1000VA	800VA	700VA
IPX06-70	600VA	600VA	600VA
IPX12-70	1200VA	1200VA	1200VA
IPF01-1L	1.5A	1.5A	1.5A
IPF05-1L	5A	4.1A	3.3A
RP106-IL	600W	500W	400W
RPI06-10	600W	500W	400W
RTF01-10	1.5A	1.5A	1.5A
RTD01-10	300W/1.5A	300W/1.5A	300W/1.5A

WARRANTY INFORMATION

- Limited Five-Year Warranty

WIRING DIAGRAMS

DIAGRAM 1
Single Pole Wiring

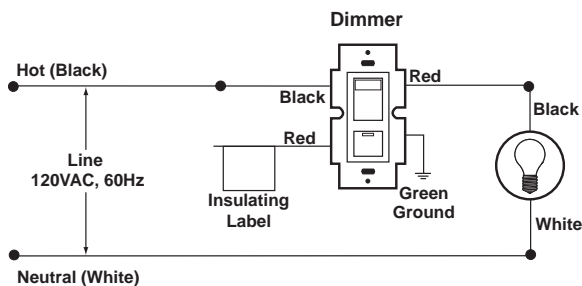
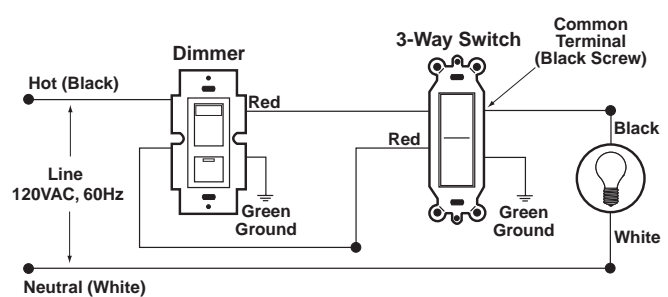


DIAGRAM 2
3-Way Wiring



Leviton Mfg. Co., Inc.

201 North Service Road, Melville, NY 11747 Tech Line: 1-800-824-3005 Fax: 1-800-832-9538 www.leviton.com
© 2012 Leviton Manufacturing Co., Inc. All rights reserved. Subject to change without notice.

ORDERING INFORMATION

All IllumaTech Preset and Rotary Dimmers provide single pole (one location) or 3-way (two location) control when used with a 3-way switch.

DESCRIPTION	CAT. NO.	RATING <small>(For multi-gang installation, see derating chart)</small>	COLOR
Incandescent Dimmer with LED locator	IPI06-1L*	600W-120VAC	Z
Incandescent Dimmer with LED locator	IPI10-1L	1000W-120VAC	Z
LED/CFL/Incandescent Dimmer, no LED	IPL06-10	600W Incandescent 150W LED & CFL 120VAC	Z
Magnetic Low Voltage Dimmer with LED locator	IPM06-1L	600VA (450W)-120VAC	Z
Magnetic Low Voltage Dimmer with LED locator	IPM10-1L	1000VA (800W)-120VAC	Z
Electronic Low Voltage Dimmer with LED locator; neutral required	IPE04-1L*	400VA (320W)-120VAC	Z
Fluorescent Dimmer for Mark 10® Powerline Ballast, no LED	IPX06-10	600VA-120VAC	Z
Fluorescent Dimmer for Mark 10® Powerline Ballast, no LED	IPX10-10*	1000VA-120VAC	Z
Fluorescent Dimmer for Mark 10® Powerline Ballast, no LED	IPX06-70	600VA-277VAC	Z
Fluorescent Dimmer for Mark 10® Powerline Ballast, no LED	IPX12-70	1200VA-277VAC	Z
Fluorescent Dimmer for Mark 7® 0-10V Ballast with LED locator	IP710-DL*	1200VA @120VAC 1500VA @ 277VAC	Z
Quiet Fan Speed Control with LED locator	IPF01-1L	1.5A-120VAC	Z
Fully Variable Fan Speed Control with LED locator	IPF05-1L	5A-120VAC	Z
Rotary Incandescent Dimmer with LED locator	RPI06-1L	600W-120VAC	Z
Rotary Incandescent Dimmer, no LED	RPI06-10	600W-120VAC	Z
Quiet Fan Speed Control, single pole only, no LED	RTF01-10	1.5A-120VAC	Z
Rotary Dual Quiet Fan Speed Control and Dimmer, single pole only, no LED	RTD01-10	1.5A Fan Control/ 300W Dimmer	Z

* NAFTA Compliant models available. For more information visit www.leviton.com/nafta

Color Change Kits for IllumaTech Slide Controls

DESCRIPTION	CAT. NO.	COLOR*
Color Change Kit	IPKIT-00	W, I, T, G, E, R, B
Color Change Kit for IPL06; no LED	IPKIT-LN	W, I, T, G, E, R, B
Color Change Kit for Fan Speed Control	IPQFK-00	W, I, T, G, E, R, B

IllumaTech controls come packaged with three colors. Products with suffix (-Z) include White, Ivory and Light Almond. Color Change Kits for IllumaTech Preset Slide Controls available in the following colors: White (-W), Ivory (-I), Light Almond (-T), Gray (-G), Black (-E), Red (-R) and Brown (-B).

Mark 10® Powerline and Mark 7® 0-10V are registered trademarks of Advance Transformer Co.
Decora and IllumaTech are registered trademarks and Decora Plus is a trademark of Leviton Manufacturing Co., Inc.

Leviton Manufacturing Co., Inc.

201 North Service Road, Melville, NY 11747-3138
Telephone: 1-800-323-8920 • Fax: 1-800-832-9538 • Tech Line: (8:30AM-7:00PM E.T. Monday-Friday): 1-800-824-3005

Leviton Manufacturing of Canada, Ltd.

165 Hymus Boulevard, Pointe Claire, Quebec H9R 1E9 • Telephone: 1-800-469-7890 • Fax: 1-800-563-1853

Leviton S. de R.L. de C.V.

Lago Tana 43, Mexico DF, Mexico CP 11290 • Tel. (+52) 55-5082-1040 • Fax. (+52) 5386-1797 • www.leviton.com.mx

Visit our website at www.leviton.com

© 2012 Leviton Manufacturing Co., Inc. All rights reserved. Subject to change without notice.

