



**No Wires, No Batteries,  
No Limits.**

**WIRELESS SENSING SOLUTION**

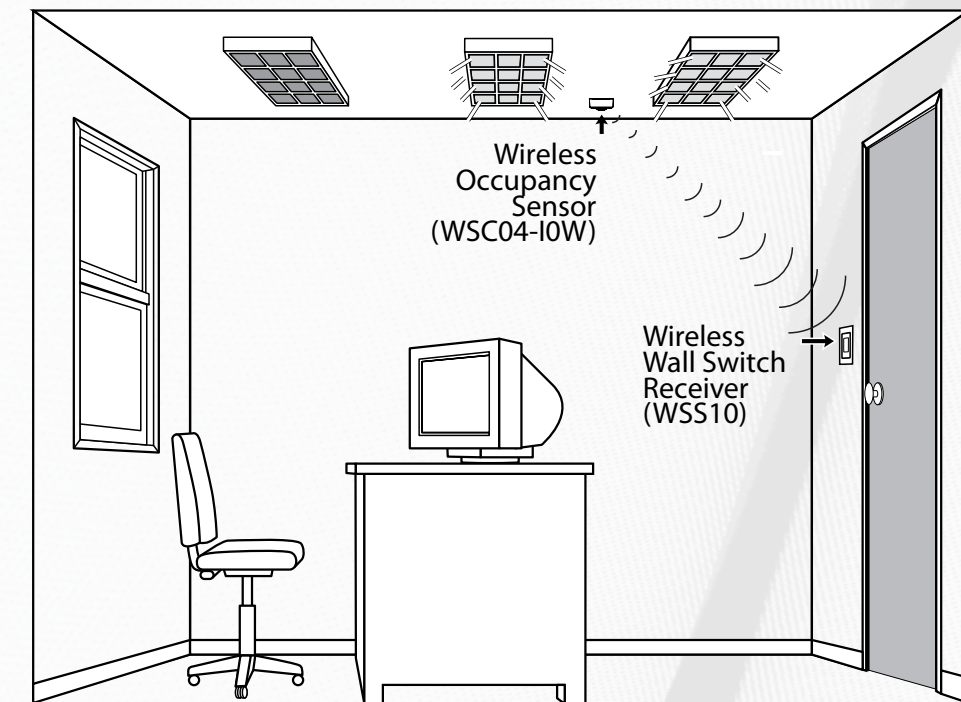
**The easy, green solution  
to occupancy sensor retrofits.**







## No Wires, No Batteries, No Limits.



## Installation is as easy as 1, 2, 3.

1. Replace existing wall switch with Wireless Wall Switch Receiver
2. Mount Wireless Occupancy Sensor to ceiling
3. Installation complete



## Leviton's family of Wireless Occupancy Sensors are affordable, easy-to-use and easy-to-install solutions that allow wireless lighting control in virtually any building.

An ideal solution for retrofit applications, this completely wireless system can cost up to 50% less than a conventional hardwire system. And it's easy to install.

Simply replace the existing wall switch with the Wireless Wall Switch Receiver and mount the Wireless Occupancy Sensor—installation is complete.

- The Occupancy Sensor detects motion; keeping lights on while the space is being occupied.
- The Integrated Solar Cell powers the Occupancy Sensor using available room light—no batteries needed.
- The Automatic Shutoff time can be adjusted to the user's personal requirements.

### WHY GO WIRELESS?

Going wireless is an affordable, simple-to-install and easy-to-use option for any project—new or retrofit. Using Leviton Wireless products greatly decreases the intensive time and significant labor costs of running wires—saving you up to 50% on installation expenses while improving overall profitability and efficiency.

- Saves up to 75% in installation labor costs
- Complete projects in 1/4 of the time of hardwire systems
- Perfect retrofit solution

## A GREEN ISSUE ...

Lighting accounts for almost 50% of electricity use in commercial buildings. Often, lights are left on unnecessarily and traditional switches are unable to adjust accordingly to room occupancy—energy and money are wasted.

## ... A LIGHTING INNOVATION

Leviton's Wireless Sensing Solution is the first completely self-powered wireless sensor system designed as a cost-effective, energy-saving solution ideal for retrofit and new construction projects.

A Leviton combines the energy-saving benefits of its occupancy sensors with self-powered and wireless technologies developed and licensed from EnOcean, the worldwide leader in wireless control technology. The combined benefits save on labour time due to the elimination of much of the wire traditionally needed for automation system installations.

An ideal solution for retrofit applications, installations are quick and easy. With no wires to run, installation costs can be as much as 50% less than conventional hardwire systems.

### THE ENOCEAN ALLIANCE

Leviton is part of the EnOcean Alliance dedicated to the advancement of self-powered interoperable wireless building control systems. With EnOcean technology, Leviton innovations create interoperable standard solutions helping to make buildings more energy-efficient, flexible, and cost-effective.



### SELF-POWERED

**Energy Harvesting.** Leviton solutions use EnOcean technology that makes use of energy created from available room light. Leviton's Self-Powered Wireless Sensors help make buildings smarter, safer, more comfortable, and more energy-efficient.

**No Batteries.** Building professionals and end-users can now realize the promise of battery-less and wire-free control systems. With self-powered sensors and switches, buildings are more flexible and cost-efficient to design, build, and operate.

### PROVEN TECHNOLOGY FOR SUSTAINABLE BUILDINGS

The wireless standard for sustainable building. From retrofitting older structures to designing new buildings, the EnOcean Alliance is empowering the imagination and energizing creativity; helping to make sustainable buildings a reality.



## YOUR BENEFITS

No wires, no batteries, no limits - Leviton's Wireless Sensing Solution provides you with a simple, proven and maintenance-free solution to meet your every building requirement.

### NO WIRES.

Less cable, less copper, and less PVC.

### NO BATTERIES.

Less toxic chemical waste and less maintenance.

### NO LIMITS.

Unlimited flexibility, easy installation, cost savings in installation, maintenance, renovation, and energy use.

No matter whether the goal is cost- and time-saving installation, building energy efficiency, certification to national energy conservation regulations, retrofitting without mess and disruption, flexibility of switch and sensor placement or building automation, Leviton's Wireless Sensing Solution meets any application.

**Building Professionals, Architects, System Integrators, Planners, and Installers.** Flexibility, installation interoperability, simplicity, environmentally friendly.

**Building Owners, Facility Managers, and Private Consumers.** Energy savings, cost benefits, flexibility and comfort, simplicity.

## LEVITON'S WIRELESS SENSING SOLUTION

### EASY-TO-INSTALL

Designed for one-person installation, Leviton's Wireless Sensing Solution eliminates the time and expense of control wiring. That means installations in less than one quarter the time of conventional hardwire systems, delivering significant labor savings.

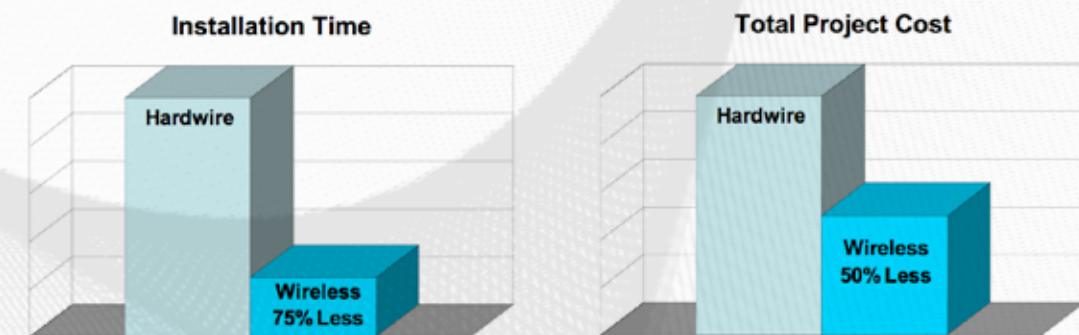
### EASY-TO-USE

Leviton's Self-Powered Occupancy Sensor and Wall Switch Receiver allow occupants to wirelessly control the overhead lighting in their personal space. Functioning just like a standard switch, simply turn on the Wall Switch Receiver to activate lights. Once lights are activated, the Occupancy Sensor is self-powered by available light via solar cells—no external power or batteries required.

### EASY-TO-SAVE

Well-managed lighting means lower energy consumption. From easily turning off lights in vacant areas to using partial lighting versus full power and taking advantage of additional light resources, Leviton's Wireless Sensing Solution reduces energy consumption considerably.

- Occupancy sensors can reduce energy use for lighting by as much as 80%.
- Leviton's Wireless Sensing Solution saves labor, materials, and time costs.





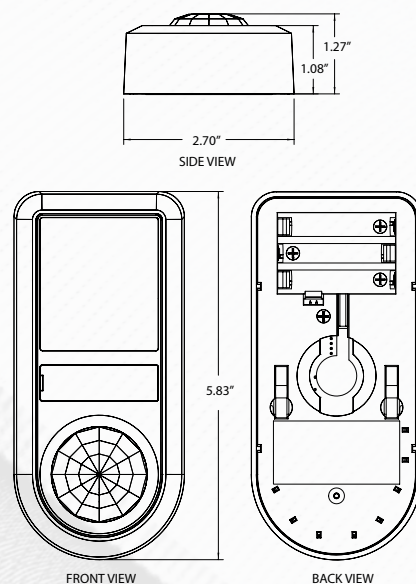
## SELF-POWERED OCCUPANCY SENSING

A state-of-the-art, stand-alone solution, Leviton's Wireless Sensing Solution uses a Wireless Occupancy Sensor, Wireless Wall Switch Receiver and Wireless Self-Powered Remote Switch to respond to occupancy and adjust light accordingly, while also making use of other available light sources.

## COMPONENTS

With Wireless technology, each component can be installed in minutes without any external power needed. Easy to reconfigure, there is no need to drill or pull wires so you experience lower labor costs, quicker job turnaround times, and less material costs.

### WIRELESS INFRARED OCCUPANCY SENSOR WSC04 AND WSC15



- Features Manual-ON/Auto-Off and Auto-ON/Auto-OFF modes
- Sensors can be placed in locations difficult to hardwire in both retrofit and new construction applications
- Self-powered, a built-in solar cell draws on available ambient light to power itself and can operate for up to 48 hours without the need for batteries or external power in standard Manual-ON/Auto-Off mode; three (3) AAA batteries are required for Auto-ON operation
- Simple, fast installation with no additional wiring required
- Several model options to provide a variety of coverage patterns and automatic lighting control for energy savings and convenience in a variety of commercial applications

#### NO WIRES TO RUN

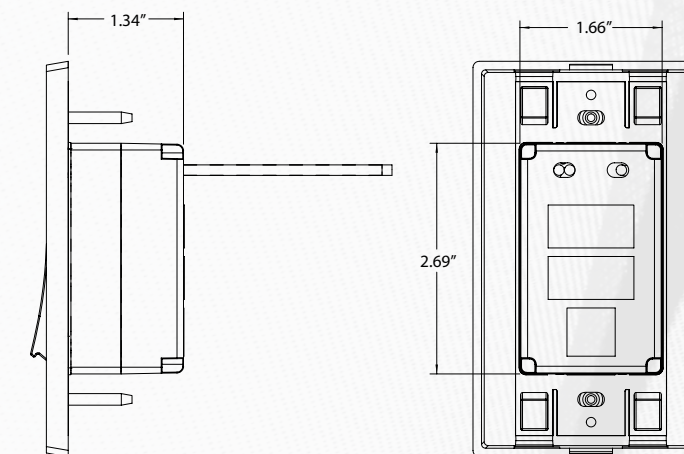
- No damage to walls or ceilings
- Faster installation time = Increased profitability
- Sensors can be placed where they are needed
- Ideal to use in hard-to-wire areas
- More flexibility with unique applications

#### OPPORTUNITIES

- 6.7 billion square feet of office space in need of retrofit\*
- Due to age, the majority of retrofit opportunities have no form of lighting control
- Wireless sensors offer the easiest and most cost effective solution

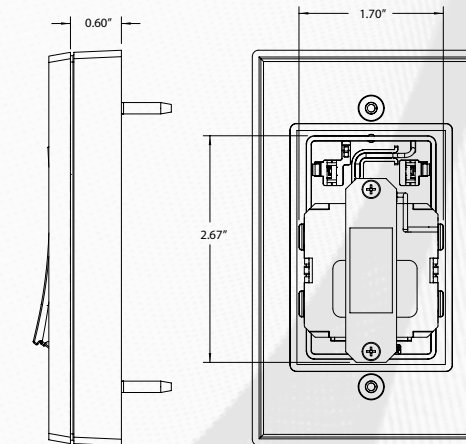
\*Energy Information Administration (EIA)  
Commercial Building Energy Consumption Survey

### WIRELESS WALL SWITCH RECEIVER WSS10



- Takes the place of traditional single-pole wall switches, and fits in a standard single-gang wall box
- Provides local control and manual override
- Responds to signals from the occupancy sensor, automatically shutting off lights when the room is vacant
- Neutral and non-neutral models available

### WIRELESS SELF-POWERED REMOTE SWITCH WSS0S



- Provides remote local control and manual override
- Self-powered, draws on kinetic energy to charge itself each time the button is pushed
- Can be used for a convenient three-way switch solution
- Simple, fast installation with no additional wiring required



## HOW IT WORKS

### SET-UP

Replace the existing electrical wall switch with the Wireless Wall Switch Receiver.

- 120-277 voltages, 50-60Hz
- 1200VA (120V), 2700VA (277V)
- Operates like a standard switch
- No additional wires required

Set up the Wireless Self-Powered Remote Switch (optional).

- Operates like a standard switch, but remotely
- No wiring required

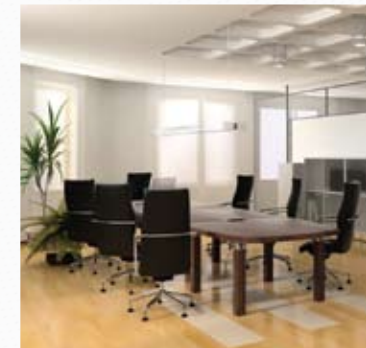
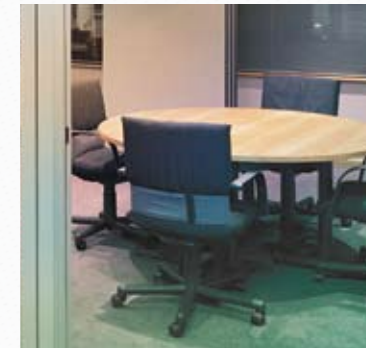
Fasten Wireless Occupancy Sensor to ceiling or wall.

- Mount sensor using mounting hardware or screws for keyholes
- Simple programming of devices is required for pairing
- For multiple sensors to address the same switch, follow the simple press-and-hold learning device set-up
- No wiring required

### OPERATION

- Wireless Wall Switch Receiver receives signals from the Wireless Occupancy Sensor and turns the lights off when the room is unoccupied.
- Functioning like a standard switch, simply turn on the Wireless Wall Switch Receiver or the Wireless Self-Powered Remote Switch to activate lights.
- Once lights are activated, the Sensor is powered by available light via solar cells. This allows the Sensor to report when room is vacant, and send a "Lights OFF" signal to the Wireless Wall Switch Receiver.
- The Vacancy Confirmation Circuit automatically restores light; motion detection automatically turns lights back on within 30 seconds of shutoff.

## APPLICATIONS



The unique features of Leviton's Wireless Sensing Solution allows customized indoor lighting control and energy savings for a variety of applications including:

- Any Retrofit Application
- Any New Construction
- Private and Executive Offices
- Conference Rooms
- Classrooms
- Gym/Fitness Facilities
- Storage Areas
- Restrooms
- Multimedia Rooms
- Day Care Centers
- Lounge and Lobby Areas

### ORDERING INFORMATION

CAT. NO.*	DESCRIPTION
WSC04-IoW	Wireless Self-Powered PIR Occupancy Sensor, 450SF
WSC15-IoW	Wireless Self-Powered PIR Occupancy Sensor, 1500SF
WSS10-oDx	Wireless Wall Switch Receiver
WSS10-GDx	Wireless Wall Switch Receiver, Non-Neutral
WSSoS-P0x	Wireless Self-Powered Remote Switch

\* x = (W) White, (I) Ivory, (A) Almond, (T) Light Almond, (G) Gray, (E) Ebony





**Leviton Manufacturing Co., Inc.**

59-25 Little Neck Parkway, Little Neck, NY 11362-2591

Telephone: 1-800-323-8920 • FAX: 1-800-832-9538 • Tech Line (8:30AM-7:30PM E.S.T. Monday-Friday): 1-800-824-3005

**Leviton Manufacturing of Canada, Ltd.**

165 Hymus Boulevard, Pointe Claire, Quebec H9R 1Eg • Telephone: 1-800-469-7890 • FAX: 1-800-563-1853

**Leviton S. de R.L. de C.V.**

Lago Tana 43, Mexico DF, Mexico CP 11290 • Tel. (+52) 55-5082-1040 • [www.leviton.com.mx](http://www.leviton.com.mx)

**Visit our Website at [www.leviton.com](http://www.leviton.com)**

© 2008 Leviton Manufacturing Co., Inc. All rights reserved. Subject to change without notice.

G-8110/L8-ak