



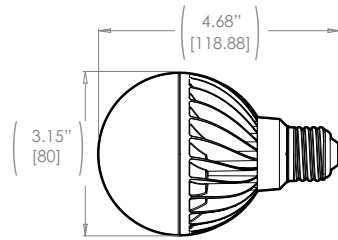
## DEFINITY™ G25

### BENEFITS

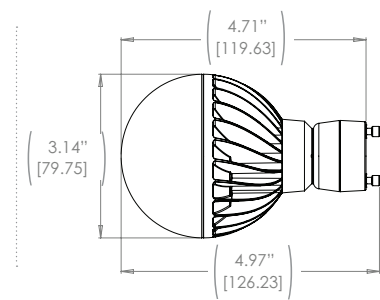
- Dimmable to 5% of light on most dimmers.<sup>3</sup>
- 8 Watts – up to 84% more efficient than comparable 50 Watt Incandescent lamp.
- Maintenance free operation, lasts up to 20 times longer than incandescent lighting.
- RoHS compliant – contains no mercury or lead.

### FEATURES<sup>1</sup>

Equivalent Source	
Standard	Up to 50W Incandescent
L70 lumen depreciation design criteria =	50,000 hours
ENERGY STAR life=	35,000 hours <sup>2</sup>
Housing	Aluminum
Socket	E26/GU24
Operating Temperature	-20° C to +40° C
E26 MOL	4.68 in, 118.88mm
GU24 MOL <sup>4</sup>	4.97 in, 126.23mm
Voltage	120 VAC
Weight	0.33lbs., 150g
Power Factor	≥.90
Warranty	5 year limited



E26 BASE



GU24 BASE

Specifications supplied are nominal. Please refer to the DOE's Lighting Facts Tolerance Guidelines.  
<sup>1</sup> Values are nominal, advances from further innovation, specifications are subject to change.  
<sup>2</sup> Qualified ENERGY STAR rating at or above 6000 hour life testing.  
<sup>3</sup> See dimmer compatibility chart page on next page.  
<sup>4</sup> GU24 – Pending UL



### ORDERING INFORMATION \ \ DFN 25 WW 120

Family	Product	Color (CCT)	Voltage	Base
DFN Definity	25 G25	W27 Warm White 2700K	120 120 Volt	Leave blank for E26 base
		WW Warm White 3000K		GU24 GU24
		NW Neutral White 4000K		
		CW Cool White 5000K		

#### CERTIFICATIONS NORTH AMERICA



#### ENVIRONMENT



Specifications are typical values and may change without notification.  
©2012 Lighting Science Group Corporation. All rights reserved.



## DIMMER CAPABILITIES

**LUTRON DIMMERS:** ADRIANI AY600; Commercial Systems QSG-6P, LP-RPM-4A-120; Diva DV-600, DVCL-153P; **Interfaces** PHPM-WBX; **Homeworks** HW-RPM-4A-120, HxD-6ND; **Radio Ra** RRD-10ND; **Stanza** SZ-6ND; **Lutron** S-600PR-WH, DV-600PR-WH, TG-600PR-WH, AY600P, Q600P, GL600, CN-600PHW, DV-603PG, S-600, S-600P, LG-600P, D-600PH, TT-300NLH, TG-603PG, DV-600PR-WH  
**OTHER DIMMERS:** Ace 34050, 3027596  
 Leviton 6633-PL, 6684, 6631, IPI06-1LX  
 Legrand DrRD4W

### Recommended number of lamps per 600 watt dimmer<sup>2</sup>

While an LED lamp may draw as few as 10 watts continuously, it could have an in-rush current spike (maximum, instantaneous input) which may limit the number of lamps you can install on one dimmer. The following table provides a recommended maximum quantity of DEFINITY lamps that should be used on a typical approved 600W dimmer.

Ex: Max number of A19 60W lamps, with an 80W in-rush, that can be used on 600W dimmer = 7

DFN LED Lamp	Lamp In-Rush Current Equivalent	Max # of Lamps per 600W Dimmer
G25	80 W	7

## DFN25

Part Number	Base Type	Watts	Lumens	Voltage	Efficacy	CRI	ENERGY STAR <sup>3</sup>
DFN 25 NW 120	E26/GU24	8W	475	120	59	85	✓
DFN 25 WW 120	E26/GU24	8W	450	120	56	85	✓
DFN 25 W27 120	E26/GU24	8W	410	120	51	85	✓
DFN 25 CW 120	E26/GU24	8W	575	120	72	67	

NW: Neutral White WW: Warm White W27: Warm White 2700K CW: Cool White

<sup>3</sup>Energy Star certification applies to E26 base only, GU24 base certification is still in progress.

Specifications supplied are nominal. Please refer to the DOE's Lighting Facts Tolerance Guidelines.

<sup>1</sup> Values are nominal, advances from further innovation, specifications are subject to change.

<sup>2</sup> Dimmer compatibility list indicates those dimmers that have been tested and operate properly under normal conditions. In certain cases, approved dimmers are offered in higher wattage varieties that are also compliant and allow the installation of additional lamps if kept within the maximum inrush current equivalent provided in the table. Each application is unique and various factors such as load, common neutrals or other electrical products on the circuit can, in certain instances, cause variance in system performance. Consult dimming system manufacturer for additional support in operation.

## Cautions

- Turn power off before inspection, installation, or removal.
- Risk of Electric Shock – Do not use where directly exposed to water or weather.
- Suitable for indoor-dry and damp locations only.
- Not for use in completely enclosed fixtures.
- Do not open – no user serviceable parts inside.
- North America use on 120VAC, 50 - 60 Hz circuits.
- This device is not intended for use with emergency exit fixtures or emergency exit lights.
- Added weight of the device may cause instability of a freestanding portable luminaire.
- Use in portable table lamps in which the distance from the bottom of the base to the top of the lampholder does not exceed three (3) times the minimum base diameter.
- This device complies with Part 15 of the FCC rules and has been tested and found to comply with the limits for a Class B digital device. These limits are designed to provide reasonable protection against harmful interference in a residential installation. This equipment generates, uses and can radiate radio frequency energy and, if not installed and used in accordance with the instructions, may cause harmful interference to radio communications. Any changes or modifications not expressly approved by the manufacturer could void the user's authority to operate the equipment.