



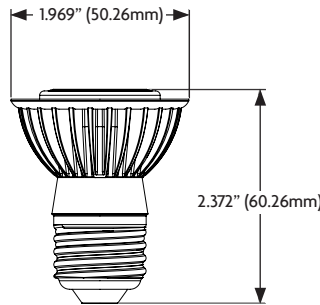
DEFINITY™ PAR16

BENEFITS

- 6 Watts – 80% more efficient than comparable 30 Watt Halogen lamp.
- Maintenance free operation, lasts up to six times longer than halogen lighting.
- Two beam distributions.
- Available from 2700-5000K CCT.

FEATURES¹

Equivalent Source	Up to 30W Halogen
L70 lumen depreciation design criteria =	30,000 hours
Housing	Aluminum
Socket	E26
Beam Spread	25°, 40°
Narrow Flood, Flood	
Operating Temperature	-20° C to +40° C
MOL	1.969 in, 50mm
Voltage	120 VAC
Weight	0.11lbs., 50g
Warranty	3 year limited
Dimmable	No



Specifications supplied are nominal. Please refer to the DOE's Lighting Facts Tolerance Guidelines.
¹ Values are nominal, advances from further innovation, specifications are subject to change.
² Non dimmable.

ORDERING INFORMATION \ \ DFN 16 WW FL 120



Family	Product	Color (CCT)	Distribution	Voltage
DFN Definity	16 16	W27 Warm White 2700K	NFL 25° Narrow Flood	120 120 Volt
		WW Warm White 3000K	FL 40° Flood	
		NW Neutral White 4000K		
		CW Cool White 5000K		
CERTIFICATIONS NORTH AMERICA 		ENVIRONMENT 		

Specifications are typical values and may change without notification.
Copyright © Lighting Science Group Corporation 2011 All rights reserved.

PAR16

Part Number	Base Type	Beam Angle ¹	Watts	Lumens	Voltage	Efficacy	CRI	CBCP	Life ²
DFN 16 NW NFL 120	E26	25	6W	345	120	58	85	982	30,000
DFN 16 WW NFL 120	E26	25	6W	325	120	54	85	978	30,000
DFN 16 W27 NFL 120	E26	25	6W	315	120	53	85	930	30,000
DFN 16 CW NFL 120	E26	25	6W	365	120	61	67	1516	30,000
DFN 16 NW FL 120	E26	40	6W	345	120	58	85	568	30,000
DFN 16 WW FL 120	E26	40	6W	325	120	54	85	559	30,000
DFN 16 W27 FL 120	E26	40	6W	315	120	52	85	487	30,000
DFN 16 CW FL 120	E26	40	6W	365	120	61	67	860	30,000

NFL: Narrow Flood FL: Flood NW: Neutral White WW: Warm White W27: Warm White 2700K CW: Cool White CBCP: Center Beam Candle Power

Specifications supplied are nominal. Please refer to the DOE's Lighting Facts Tolerance Guidelines.

¹ Values are nominal, advances from further innovation, specifications are subject to change.

² Three year limited warranty.

Cautions

- Turn power off before inspection, installation, or removal.
- Risk of Electric Shock – Suitable for damp locations. Do not use where directly exposed to water or weather.
- Not for use in completely enclosed recessed fixtures.
- Do not open – no user serviceable parts inside.
- North America use on 120VAC, 50 - 60 Hz circuits.
- This device is not intended for use with emergency exit fixtures or emergency exit lights.
- This device complies with Part 15 of the FCC rules and has been tested and found to comply with the limits for a Class B digital device. These limits are designed to provide reasonable protection against harmful interference in a residential installation. This equipment generates, uses and can radiate radio frequency energy and, if not installed and used in accordance with the instructions, may cause harmful interference to radio communications. Any changes or modifications not expressly approved by the manufacturer could void the user's authority to G25, A19, R20 and R30 operate the equipment.