



MyNature Coastal™

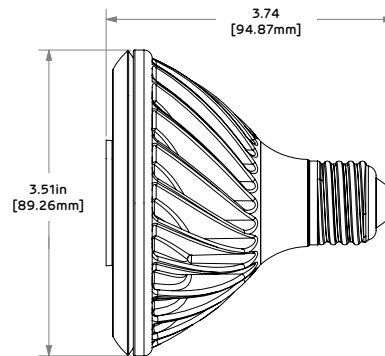
Benefits

Certified by the Florida Fish & Wildlife Conservation Commission (FWC), this proprietary LED source is optimized to be less disruptive to nesting and hatching sea turtles.

- Patented spectrum does not disturb wildlife.
- Regular light bulbs disturb sea turtles.
- Replaces your white lights during hatching season.

FEATURES¹

Equivalent Source	65W Halogen
L70 lumen depreciation design criteria	50,000 hours
Housing	Aluminum
Socket	E26
Operating Temperature	-20°C to +40°C
E26 MOL	3.74in, 111.5mm
Voltage	120 VAC
Weight	.99 lbs, 450g
Power Factor	≥.9
Warranty	5 year limited



Specifications supplied are nominal. Please refer to the DOE's Lighting Facts Tolerance Guidelines.
¹ Values are nominal, advances from further innovation, specifications are subject to change.

SPECIFICATIONS

Part Number	Base Type	Wattage	Lumens	Voltage	CCT	Spectrum
DFN 30SN AM FL 120	E26	13W	125	120	1500K	>590nm

ORDERING INFORMATION \ \ DFN 30SN AM FL 120

Family	Product	Color (CCT)	Distribution	Voltage
DFN Definity	30SN 30 Short Neck	AM MyNature Coastal	FL Flood	120 120 Volt

NORTH AMERICAN CERTIFICATIONS



ENVIRONMENT



CAUTIONS

THIS DEVICE IS NOT INTENDED FOR USE WITH EMERGENCY EXITS. NOT FOR USE IN TOTALLY ENCLOSED FIXTURES, PERFORMANCE MAY DECLINE DUE TO TYPE OF FIXTURE ENCLOSURE. CAUTION: RISK OF SHOCK - DO NOT USE WHERE DIRECTLY EXPOSED TO WATER. TURN OFF POWER BEFORE INSPECTION, INSTALLATION, OR REMOVAL. DO NOT OPEN - NO USER SERVICEABLE PARTS INSIDE. Suitable for damp locations. Use only on 120 volt, 60 Hz circuits. This device complies with part 15 of the FCC rules and has been tested and found to comply with the limits for a class B digital device. These limits are designed to provide reasonable protection against harmful interference in a residential installation. This equipment generates, uses and can radiate radio frequency energy and, if not installed and used in accordance with the instructions, may cause harmful interference to radio communications. Any changes or modifications not expressly approved by the manufacturer could void the user's authority to operate the equipment. For use with light dimmers. Compatible with most dimmer switches.