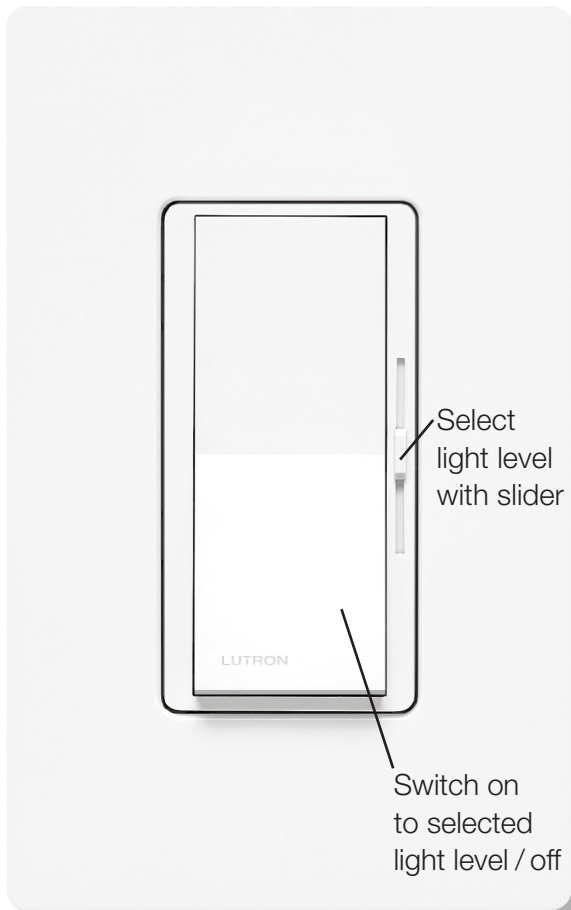


## DIVA® / C•L™ Dimmer

Dimmer for CFL • LED dimmable bulbs.

### Features

- Large paddle switch with a captive linear-slide dimmer for a standard designer wallplate opening
- HED™ Technology: *Lutron's* advanced dimming circuitry designed for compatibility with most high efficacy light bulbs
- UL Listed to control:
  - Dimmable compact fluorescent (CFL) with integrated ballast
  - Dimmable LED with integrated driver
  - Halogen
  - Incandescent
- Low-end adjustment dial to accommodate a wide range of bulbs



\* Faceplate sold separately

## Specifications

### Regulatory Approvals

- UL Listed to US and Canadian safety standards UL1472 / CSA C22.2 184.1

### Power and Ratings

- 120 V~ 60 Hz
- 150 W Dimmable CFL/LED
- or**
- 600 W Incandescent/Halogen
- or**
- Mixed bulb type per *Multigang and Mixed Bulb Type Ratings* table (see page 3)

### Application Requirements

- **When using CFLs or LEDs, only bulbs marked or rated as Dimmable can be used.**
- For a complete list of approved DIMMABLE CFLs and LEDs please call 1.800.523.9466 or visit [www.lutron.com/dimcflled](http://www.lutron.com/dimcflled)

### Environment

- For indoor use only.
- Operating temperatures 0 °C (32 °F) to 40 °C (104 °F).

### Performance

- Power-failure memory
- Captive linear slider
- Electrostatic discharge tested
- Precise color matching
- Voltage compensation
- Mechanical air-gap switch to disconnect load power

### Warranty

- 1 Year Limited Warranty  
For additional Warranty information, please visit [http://www.lutron.com/TechnicalDocumentLibrary/369-119\\_Wallbox\\_Warranty.pdf](http://www.lutron.com/TechnicalDocumentLibrary/369-119_Wallbox_Warranty.pdf)

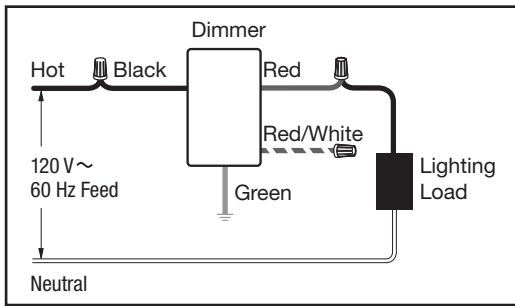
### Available Model Numbers

DVCL-153P-\_\_\_\_ Gloss Finish  
DVSCCL-153P-\_\_\_\_ Satin Colors

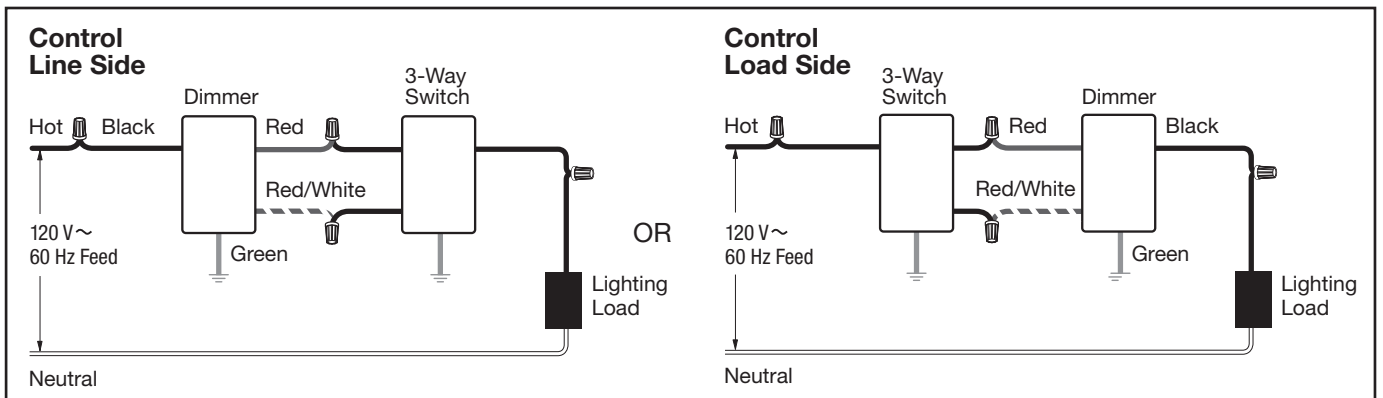
Job Name:	Model Numbers:
Job Number:	

## Wiring Diagrams

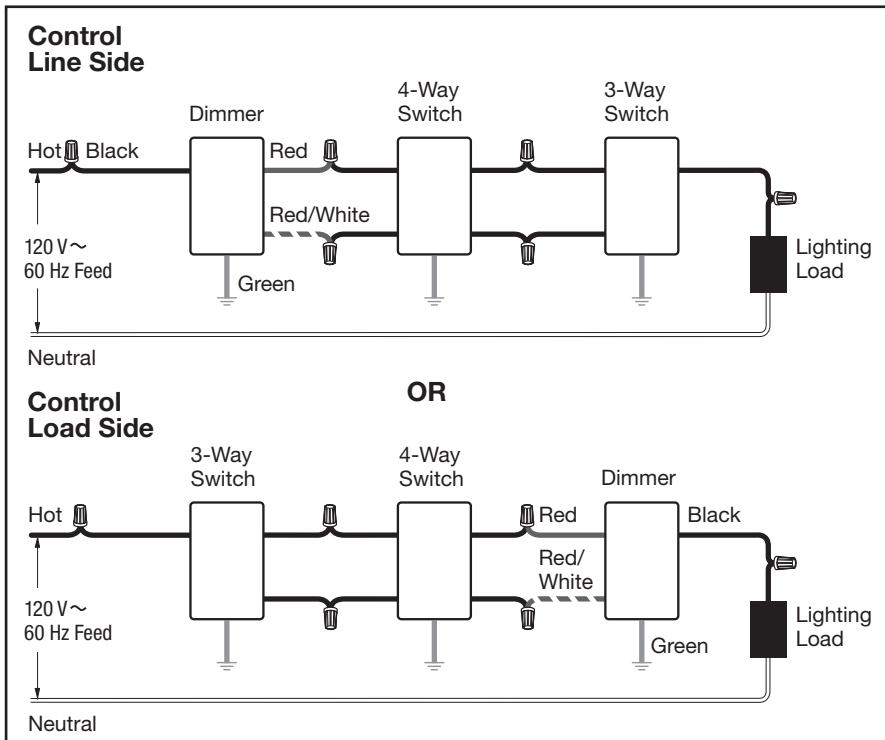
### Single-Pole Wiring



### 3-Way Wiring






### 4-Way Wiring



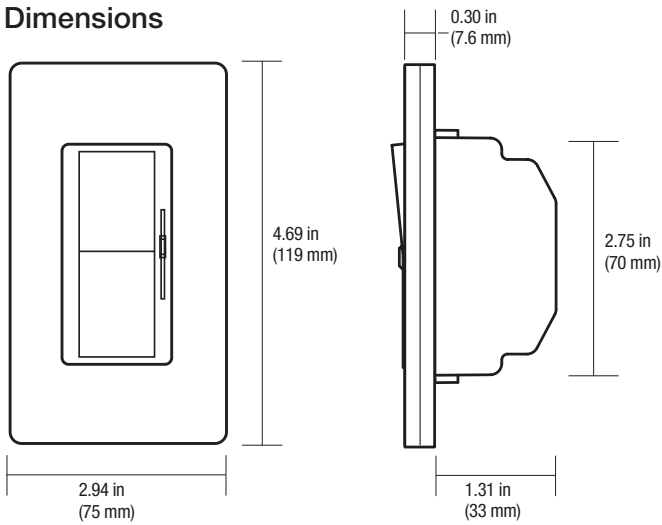
Job Name:	Model Numbers:
Job Number:	

**Multigang and Mixed-Bulb-Type Ratings**

Total CFL•LED Wattage Installed (Watts per bulb x # of bulbs)	 CFL  LED	Maximum Allowable Incandescent/Halogen Wattage* 		
		No sides removed	1 side removed	2 sides removed
0 W	+	600 W	500 W	400 W
1 W – 25 W	+	500 W	400 W	300 W
26 W – 50 W	+	400 W	300 W	200 W
51 W – 75 W	+	300 W	200 W	100 W
76 W – 100 W	+	200 W	100 W	50 W
101 W – 125 W	+	100 W	50 W	0 W
126 W – 150 W	+	0 W	0 W	0 W

Job Name:	Model Numbers:
Job Number:	

**Dimensions**



**Standard Colors and Finishes**

**Gloss Finishes**

Add color suffix to model #

**Example: DVCL-153P-WH**

WH	White
IV	Ivory
AL	Almond
LA	Light Almond
GR	Gray
BR	Brown
BL	Black

**Satin Colors®**

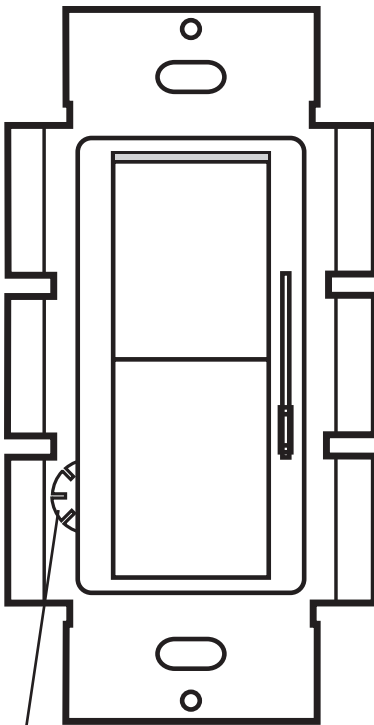
Add color suffix to model #

**Example: DVSCCL-153P-SW**

HT	Hot
MR	Merlot
PL	Plum
TQ	Turquoise
SG	Sea Glass
TP	Taupe
ES	Eggshell
BI	Biscuit
SW	Snow
PD	Palladium
MN	Midnight
TC	Terracotta
SI	Sienna
GB	Green Briar
BG	Bluestone
MS	Mocha Stone
GS	Goldstone
DS	Desert Stone
ST	Stone
LS	Limestone

**Low-End Adjustment Dial**

View with faceplate removed



Low-End Adjustment Dial

<b>Job Name:</b>	<b>Model Numbers:</b>
<b>Job Number:</b>	