

Maestro® Sensor switch

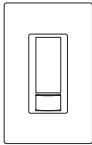
Lutron® Maestro® sensor switches with occupancy and vacancy sensors are lighting controls with passive infrared sensors that automatically control the lights in an area. These sensors detect the heat from occupants moving within an area to determine when the space is occupied.

The sensor switch combines a Maestro® switch with an occupancy or vacancy sensor.

Family Features

- Passive infrared motion detection with exclusive Lutron® XCT™ Technology for fine motion detection
- 180° sensor field-of-view
- Up to 30 ft x 30 ft (9 m x 9 m) [900 ft² (81 m²)] major motion coverage and 20 ft x 20 ft (6 m x 6 m) [400 ft² (36 m²)] minor motion coverage
- Occupancy version can be set to auto-on/auto-off or manual-on/auto-off
- Vacancy version available to meet CA title 24 requirements

Sensor switch:



Model Number*	Description	Sensor Operation	Maximum Capacity
MS-OPS2-XX	Occupancy/vacancy single-pole 120 V~	Auto-on/auto-off or manual-on/auto-off	250 W - Incandescent, Halogen, ELV 200 W - MLV 150 W - CFL, LED 2 A - Fluorescent Ballasts
MS-VPS2-XX	Vacancy single-pole 120 V~	Manual-on/auto-off	250 W - Incandescent, Halogen, ELV 200 W - MLV 150 W - CFL, LED 2 A - Fluorescent Ballasts
MS-OPS5M-XX	Occupancy/vacancy single-pole/multi-location 120 V~	Auto-on/auto-off or manual-on/auto-off	600 W - Incandescent, Halogen, ELV 450 W - MLV 360 W - CFL, LED 5 A - Fluorescent Ballasts 3 A - Fan
MS-VPS5M-XX	Vacancy single-pole/multi-location 120 V~	Manual-on/auto-off	600 W - Incandescent, Halogen, ELV 450 W - MLV 360 W - CFL, LED 5 A - Fluorescent Ballasts 3 A - Fan

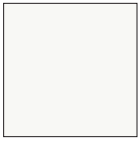
- Adjustable timeout - 1, 5, 15, or 30 minutes
- High-low sensitivity adjustment
- Sensor switch lighting loads: incandescent, halogen, MLV, ELV, CFL, LED, magnetic fluorescent, and electronic fluorescent
- Works with up to 9 companion switches (MA-AS-XX*, or MSC-AS-XX*)

* XX in model number represents color/finish code

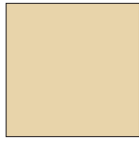
Job Name:	Model Numbers:
Job Number:	

Colors and Finishes

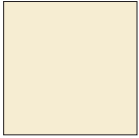
Gloss Finishes



White
WH



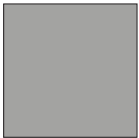
Ivory
IV



Almond
AL



Light
Almond
LA



Gray
GR



Brown
BR



Black
BL

Satin Finishes (Coming Soon)



Hot
HT



Merlot
MR



Plum
PL



Turquoise
TQ



Taupe
TP



Eggshell
ES



Biscuit
BI



Snow
SW



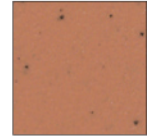
Palladium
PD



Midnight
MN



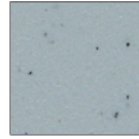
Sienna
SI



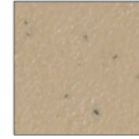
Terracotta
TC



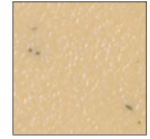
Greenbriar
GB



Bluestone
BG



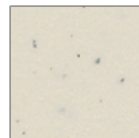
Mocha
Stone
MS



Goldstone
GS



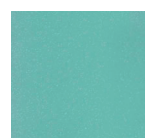
Desert Stone
DS



Stone
ST



Limestone
LS



Sea Glass
SG

Due to printing limitations, colors and finishes shown cannot be guaranteed to perfectly match actual product colors.

Job Name:	Model Numbers:
Job Number:	

Load Type and Capacity

Control	Voltage	Load Type	Minimum Load	Maximum Load			Neutral Connection Required
				Not Ganged	End of Gang	Middle of Gang	
MS-OPS2 MS-VPS2	120 V~	Lighting ^{1,2}	0 A	2 A	2 A	2 A	NO
MS-OPS5M MS-VPS5M	120 V~	Lighting ^{1,2,3}	0 A	5 A	5 A	5 A	NO
		Fan ³	0 A (0 HP)	3 A (1/10 HP)	3 A (1/10 HP)	3 A (1/10 HP)	NO

¹ Sensor switch Load Type: designed for use with permanently installed incandescent, halogen, MLV, ELV, CFL, LED, magnetic fluorescent, and electronic fluorescent lighting loads.

² See page 1 for load rating in W.

³ When controlling light and fan loads simultaneously, maximum load capacity is 3 A.

Job Name:	Model Numbers:
Job Number:	

Specifications

Regulatory Approvals

- UL Listed to U.S.A. and Canadian Safety standards.

Power

Operating voltage:
120 V~ 50/60 Hz

Key Design Features

Sensor switch

- On a single-tap, lights turn ON or OFF.
- Two-wire sensor switches available.

Environment

- Ambient operating temperature: 32 °F to 104 °F (0 °C to 40 °C), 0%-90% humidity, non-condensing. Indoor use only.

Warranty

- 1 Year Limited Warranty.
For additional Warranty information, please visit http://www.lutron.com/TechnicalDocumentLibrary/369-119_Wallbox_Warranty.pdf

Timeout Options

- 1 Minute
- 5 Minutes
- 15 Minutes
- 30 Minutes

Sensitivity Options

- High sensitivity
- Low sensitivity

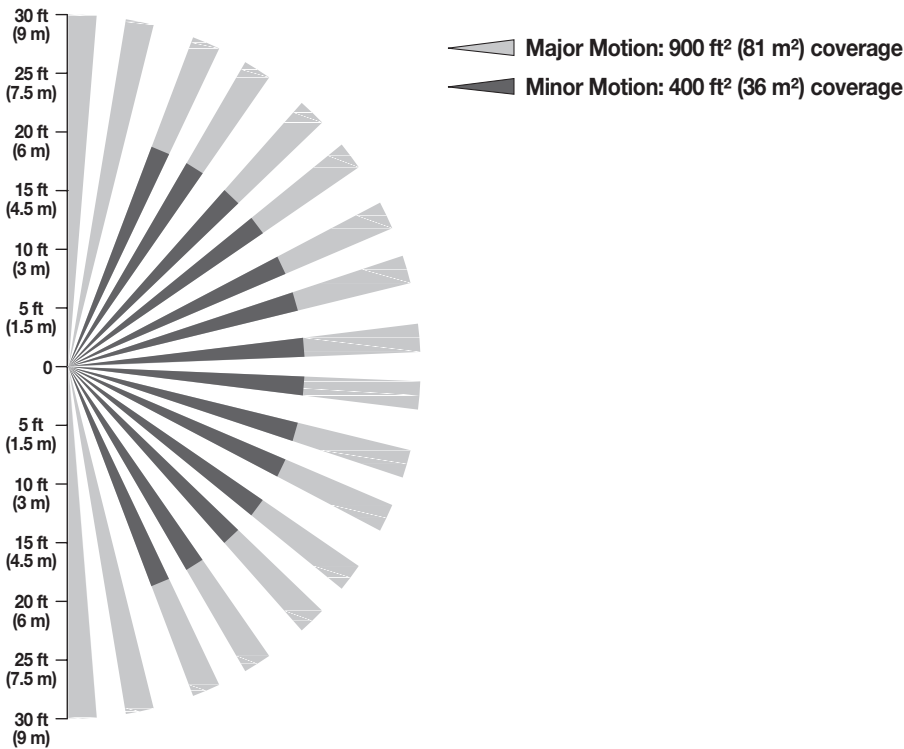
Auto-On Options (occupancy/vacancy version)

- “Enabled” - Auto-On/Auto-Off
- “Disabled” - Manual-On/Auto-Off
- “Low Light” - Lights turn on only if needed (if ambient light is below threshold)

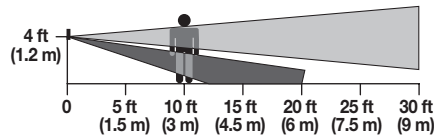
Job Name:	Model Numbers:
Job Number:	

Range Diagrams

Horizontal Coverage



Vertical Coverage



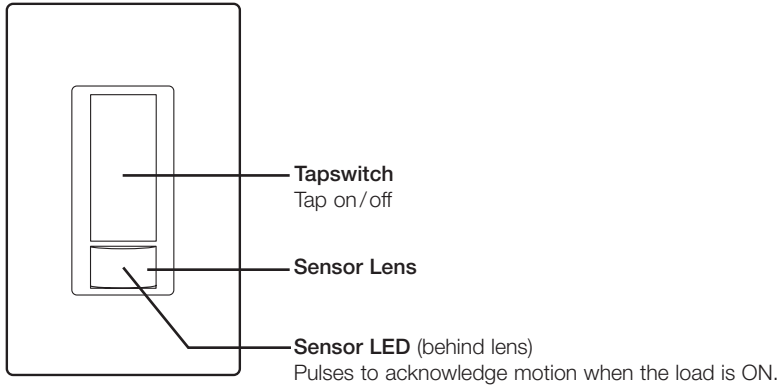
Sensor switch Placement and Operation

- The ability of the sensor switch to detect motion requires line-of-sight of room occupants. The sensor switch must have an unobstructed view of the room.
- Hot objects and moving air currents can affect the performance of the sensor switch.
- The performance of the sensor switch depends on a temperature differential between the ambient room temperature and that of room occupants. Warmer rooms may reduce the ability of the sensor switch to detect occupants.

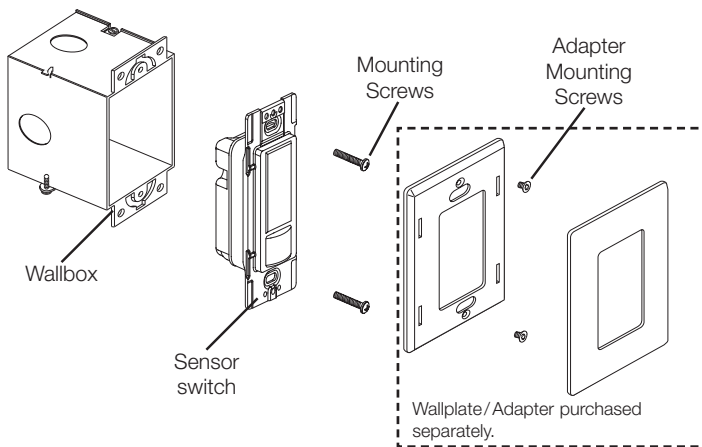
Job Name:	Model Numbers:
Job Number:	

Operation

Sensor switch



Mounting

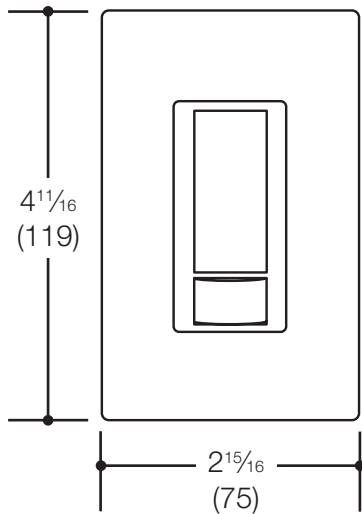


Job Name:	Model Numbers:
Job Number:	

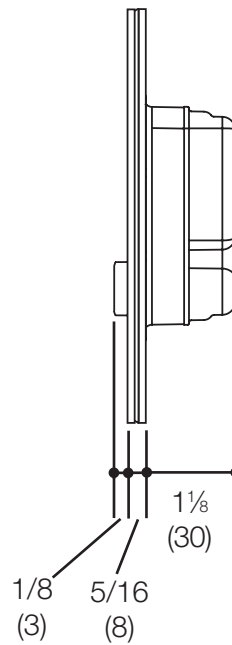
Dimensions

Measurements shown as: in (mm)

Front View



Side View



Ganging and Derating

Sensor switches can be ganged without derating.

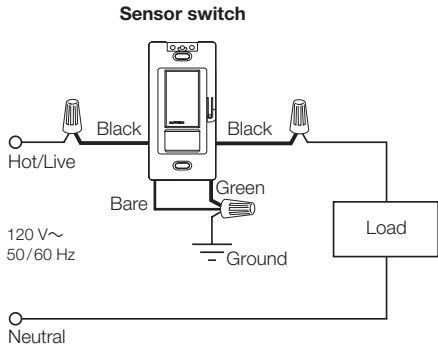
Job Name:	Model Numbers:
Job Number:	

Wiring Diagrams:

Wiring Diagram 1

Single Location Installation (120 V~)

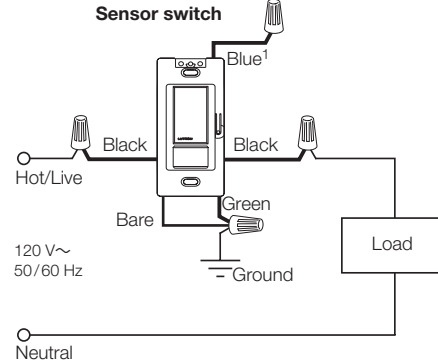
-OPS2 and -VPS2



Wiring Diagram 2

Single Location Installation (120 V~)¹

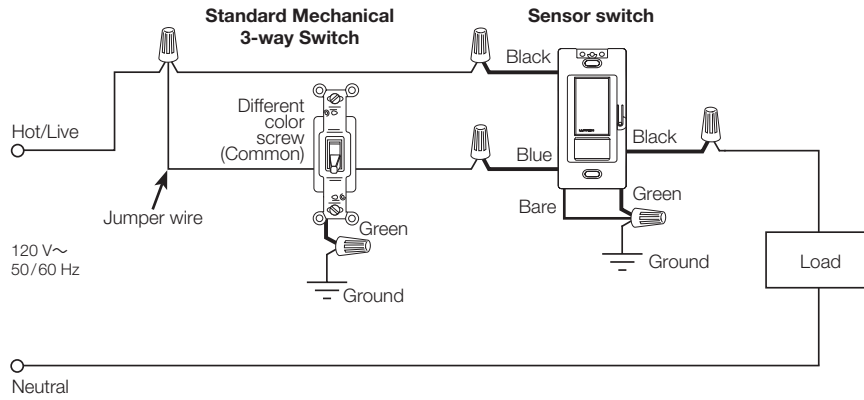
-OPS5M and -VPS5M



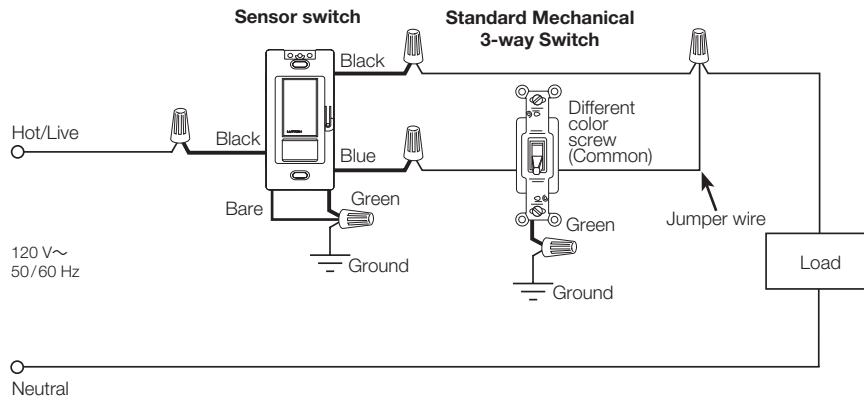
Wiring Diagram 3

3-way Installation with Standard Mechanical 3-way Switch (120 V~)³

-OPS5M and -VPS5M



OR



Continued on next page...

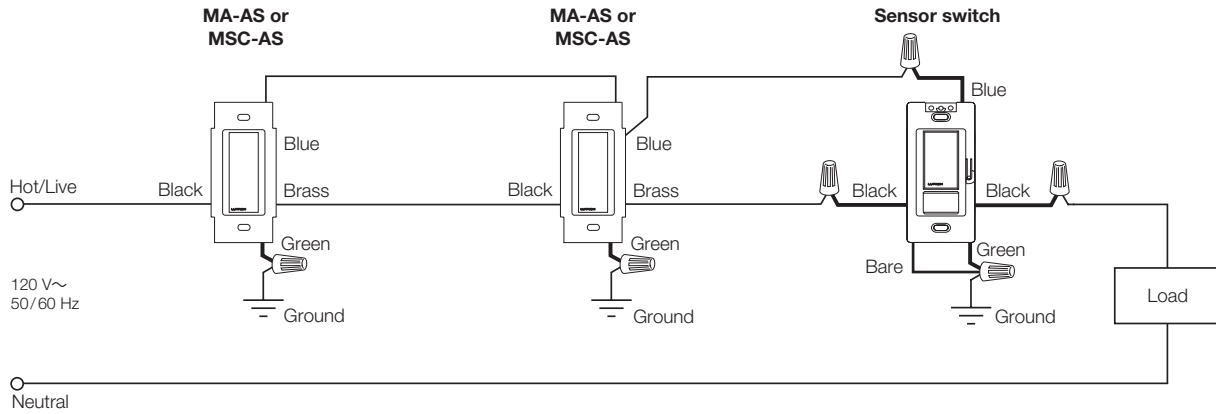
Job Name:	Model Numbers:
Job Number:	

Wiring Diagrams: (continued)

Wiring Diagram 4

Multi-Location Installation (120 V~)^{2,3}

-OPS5M and -VPS5M with MA-AS or MSC-AS



- 1 When using controls in single location installations, tighten the blue terminal or cap blue wire. **Do not** connect the blue terminal/wire to any other wire or to ground.
- 2 Up to 9 companion switches may be connected to a sensor switch. Total blue terminal wire length may be up to 250 ft (76 m).
- 3 Only one sensor switch can be used per multi-location circuit.

Job Name:	Model Numbers:
Job Number:	