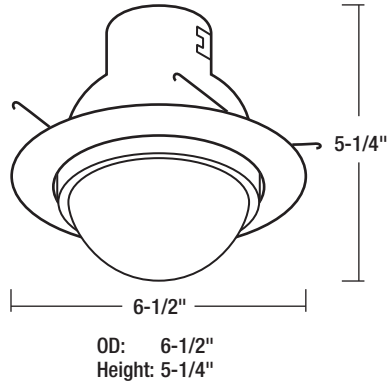


NT-5050
Front Loading Frosted Dome Lens
with Reflector and Trim

Type
Project
Catalog No.
Lamp/Wattage

DIMENSIONS



FEATURES

Trim
 Precision spun 0.050 aluminum high grade reflector with high grade frosted dome lens attached to trim. Easy lift and turn lens removal for re-lamping. Reflector includes two socket positions for optimum light control and output.

Mounting
 Trim includes two "V" torsion springs to mount trim securely to housing. Replacement "V" torsion springs are available (NRA-86). Remove socket from socket plate within housing (if applicable), and mount directly onto trim.

Compatible Housings
 Compatible with Line Voltage and Compact Fluorescent housings. See individual specification sheets for more information.

Lamp
Line Voltage
 35W PAR30 (NHIC-527QAT; NHRIC-527QAT)
 40W A19 (NHIC-501QAT; NHRIC-504QAT)
 60W A19 (NH-501Q; NHR-504Q)
Compact Fluorescent
 13W 2-Pin Quad (NHP-501/13; NHPIC-501QAT13; NHRP-504/13; NHRPIC-504QAT13)
 13W-26W 4-Pin Quad/Triple (NHP-501 Series; NHPIC-5 Series;
 NHRP-504 Series; NHRPIC-5 Series)

Labels and Listings
 cULus Listed for Wet Location when used with Compatible Housings

Compatible Housings

LINE VOLTAGE			
Item Number	Installation Type	Lamp	Dimensions
<input type="checkbox"/> NH-501Q	Non-IC New Construction	60W A19	W: 7-1/4" L: 10-1/2" H: 7-1/2"
<input type="checkbox"/> NHIC-501QAT	IC Air-Tight New Construction	40W A19	W: 7-1/4" L: 10-1/2" H: 7-1/2"
<input type="checkbox"/> NHIC-527QAT	IC AT Shallow New Construct.	35W PAR30	W: 7" L: 10-1/2" H: 5-7/8"
<input type="checkbox"/> NHR-504Q	Non-IC Remodel Housing	60W A19	W: 5-1/2" L: 13-1/2" H: 7-1/2"
<input type="checkbox"/> NHRIC-504QAT	IC Air-Tight Remodel Housing	40W A19	W: 5-1/2" L: 13-1/2" H: 7-1/2"
<input type="checkbox"/> NHRIC-527QAT	IC Air-Tight Shallow Remodel	35W PAR30	W: 6-3/4" L: 13-1/4" H: 5-1/2"
COMPACT FLUORESCENT			
<input type="checkbox"/> NHP-501/13	Non-IC New Construction	13W 2-Pin Quad	W: 7-3/8" L: 11-1/2" H: 7-1/2"
<input type="checkbox"/> NHP-501/13EL	Non-IC New Construction	13W Quad/Triple	W: 7-3/8" L: 10-1/2" H: 7-1/2"
<input type="checkbox"/> NHP-501/18EL	Non-IC New Construction	18W Quad/Triple	W: 7-3/8" L: 10-1/2" H: 7-1/2"
<input type="checkbox"/> NHPIC-501QAT13	IC Air-Tight New Construction	13W 2-Pin Quad	W: 7-3/8" L: 11-1/2" H: 7-1/2"
<input type="checkbox"/> NHPIC-513ELAT	IC Air-Tight New Construction	13W Quad/Triple	W: 7-3/8" L: 10-1/2" H: 7-1/2"
<input type="checkbox"/> NHPIC-513ATE2	IC Air-Tight New Construction	13W Quad/Triple	W: 7-3/8" L: 10-1/2" H: 7-1/2"
<input type="checkbox"/> NHPIC-518ELAT	IC Air-Tight New Construction	18W Quad/Triple	W: 7-3/8" L: 10-1/2" H: 7-1/2"
<input type="checkbox"/> NHPIC-518ATE2	IC Air-Tight New Construction	18W Quad/Triple	W: 7-3/8" L: 10-1/2" H: 7-1/2"
<input type="checkbox"/> NHPIC-526ELAT	IC Air-Tight New Construction	26W Quad/Triple	W: 7-3/8" L: 10-1/2" H: 7-1/2"
<input type="checkbox"/> NHPIC-526ATE2	IC Air-Tight New Construction	26W Quad/Triple	W: 7-3/8" L: 10-1/2" H: 7-1/2"
<input type="checkbox"/> NHRP-504/13	Non-IC Remodel Housing	13W 2-Pin Quad	W: 6-1/4" L: 13" H: 7-1/2"
<input type="checkbox"/> NHRP-504/13EL	Non-IC Remodel Housing	13W Quad/Triple	W: 6-1/4" L: 13" H: 7-1/2"
<input type="checkbox"/> NHRP-504/18EL	Non-IC Remodel Housing	18W Quad/Triple	W: 6-1/4" L: 13" H: 7-1/2"
<input type="checkbox"/> NHRPIC-504QAT13	IC Air-Tight Remodel Housing	13W 2-Pin Quad	W: 6-1/4" L: 13" H: 7-1/2"
<input type="checkbox"/> NHRPIC-513ELAT	IC Air-Tight Remodel Housing	13W Quad/Triple	W: 6-1/4" L: 13" H: 7-1/2"
<input type="checkbox"/> NHRPIC-513ATE2	IC Air-Tight Remodel Housing	13W Quad/Triple	W: 6-1/4" L: 13" H: 7-1/2"
<input type="checkbox"/> NHRPIC-518ELAT	IC Air-Tight Remodel Housing	18W Quad/Triple	W: 6-1/4" L: 13" H: 7-1/2"
<input type="checkbox"/> NHRPIC-518ATE2	IC Air-Tight Remodel Housing	18W Quad/Triple	W: 6-1/4" L: 13" H: 7-1/2"
<input type="checkbox"/> NHRPIC-526ELAT	IC Air-Tight Remodel Housing	26W Quad/Triple	W: 6-1/4" L: 13" H: 7-1/2"
<input type="checkbox"/> NHRPIC-526ATE2	IC Air-Tight Remodel Housing	26W Quad/Triple	W: 6-1/4" L: 13" H: 7-1/2"

Front Loading Frosted Dome Lens with Reflector and Trim

- NT-5050B: Front Loading Frosted Dome Lens with Specular Clear Reflector and Black Plastic Trim
- NT-5050BZ: Front Loading Frosted Dome Lens with Specular Clear Reflector and Bronze Plastic Trim
- NT-5050CO: Front Loading Frosted Dome Lens with Specular Clear Reflector and Copper Metal Trim
- NT-5050N: Front Loading Frosted Dome Lens with Specular Clear Reflector and Natural Metal Trim
- NT-5050W: Front Loading Frosted Dome Lens with Specular Clear Reflector and White Plastic Trim