

NTL-172

Line Voltage Step Cylinder Track Pack

Line Voltage Track Pack

Lamps: (2) 50W R/Par20

PRODUCT DESCRIPTION

One 2' single circuit extruded aluminum track with 20-Amp rated flat, solid integral conductors equipped with two end caps. 2 line voltage stepped "continental" styled track heads with black baffles. The track pack also includes a floating canopy feed, which allows the track to connect to an existing outlet box anywhere along the track.

Features

- Deep drawn steel housing for high strength and rigidity.
- Completely concealed wiring.
- Fully adjustable, firm angle position.
- High-strength stainless steel electrical contacts.
- One or two circuit track capable.

CONSTRUCTION

Track Extrusion

.030 die cast aluminum construction with 0.045 PVC insulators holding 12-gauge flat conductor wiring. Polarity groove is located on face of track to indicate location of grounding conductor.

Track Head Housing

0.030 Deep drawn steel construction with simple, yet decorative design. All edges are softened for aesthetic appearance.

Baffle

0.085 Black finished phenolic high rated plastic baffle. Provides finished appearance and assists in eliminating glare from housing interior.

Structural Arm

Extruded 0.055 aluminum arm connects fixture housing to electrical contact head. Internal tightening mechanism maintains desired lamp aiming angles. Structural arm also functions as wire way, completely concealing lead wire from socket to contact head.

Socket

Porcelain jacketed aluminum screw thread medium base socket.

Contact Head Assembly

Three 0.030 stainless steel contacts mounted in high heat rated plastic housing.

One/Two Circuit Conversion

Positive contact (opposite neutral and ground contacts) is preset to "down" position at factory but may be raised to the higher position to install onto the second circuit of Nora Lighting NT-2300 series two-circuit track.

Electrical

2400 Watts, 120V input, 60Hz.

Dimming

Nora track may be dimmed with any approved incandescent dimmer.

Lamp

- 50W R/Par20 lamp (not included).

Finishes

White heat rated baked enamel paint.

Create a complete catalog number: Example: NTL - 172 / NT - 344

Track Pack - select one box from each column

| Catalog No. | Lamp | Wattage | Finish |
|-------------|---------|---------|--------|
| NTL-172 | R/Par20 | 50 | W |
| | | | |
| | | | |

Finishes: W = White

NORALIGHTING®

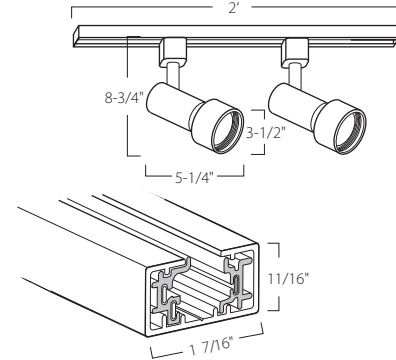
Type _____

Project _____

Catalog No. _____

Lamp/Wattage _____

DIMENSIONS



TRACK:

Height: 11/16"

Length: 2'

Width: 1-7/16"

TRACK HEAD:

Diameter: 3-1/2"

Length: 5-1/4"

Max. Extension: 8-3/4"

Compatibility

Nora track fixtures are interchangeable with Halo, Catalina, Hampton Bay, Halo-Edison, or any other brands configured to Halo 3 conductor track design.

Note: Fixtures may not be compatible with non-Nora transformers or monopoint adapters.

Optional Accessories

NT-338 Barn Door for R/Par20

NT-341 Black Louver for R/Par20 (Must use NT-338 or NT-344)

NT-344 Black Holder for R/Par20

Labels and Listings

UL Listed as track lighting fitting.

UL Listed for indoor, dry location.



Optional Accessories

| Catalog No. |
|-------------|
| NT-338 |
| NT-341 |
| NT-344 |

NORALIGHTING®

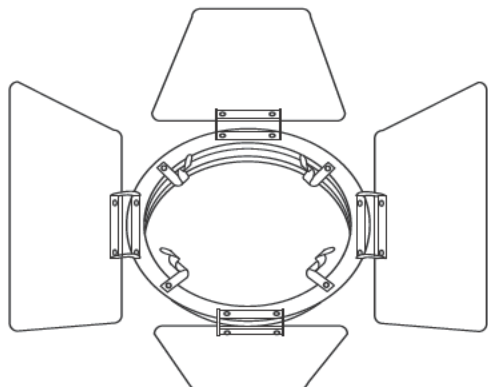
6505 Gayhart St., Commerce, CA 90040 Phone: 800.686.6672 • FAX 800.500.9955

www.noralighting.com • e-mail: nora@noralighting.com

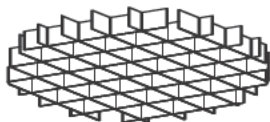
Specifications subject to change without notice. © 2008

NTL-172 Accessories

NT-338 Barn Door for R/Par20



NT-341 Black Louver for R/Par20
(Requires NT-338 or NT-344)



NT-344 Black Holder for R/Par20

