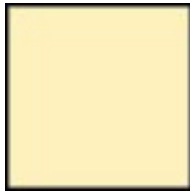




Color: Ivory



OSSMT-GDI

Description

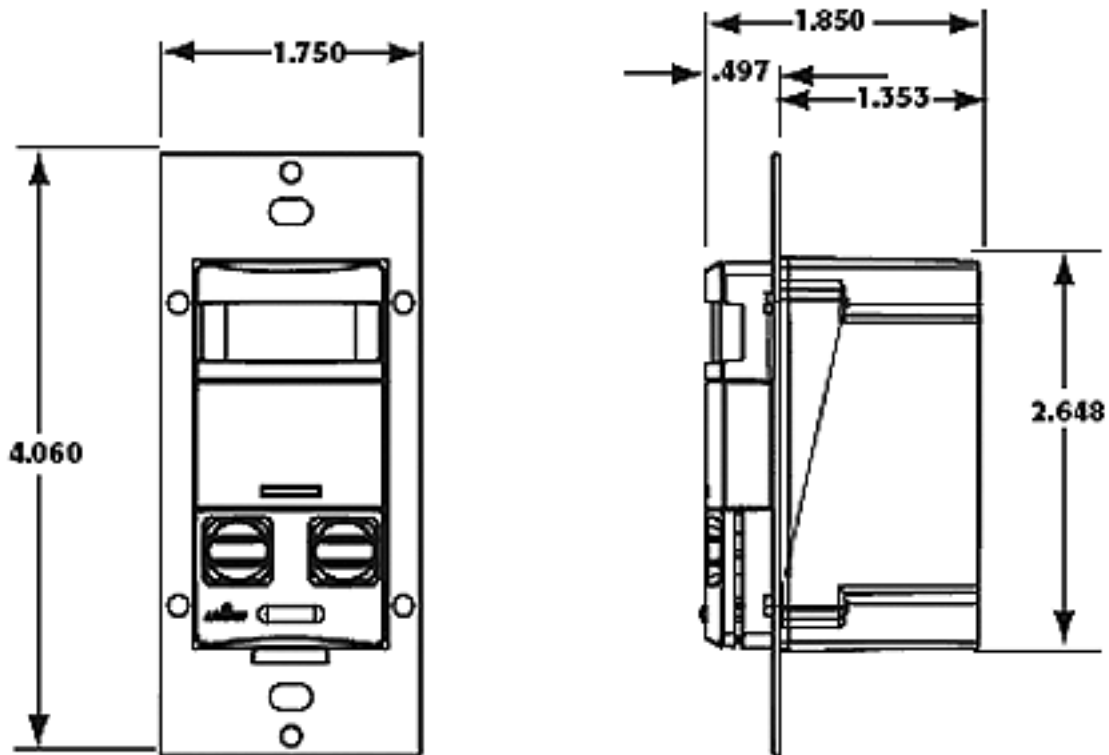
Multi-Technology Wall Switch sensor, no neutral, 1200 Sq. Ft. Major Motion Coverage, 400 Sq. Ft. Minor Motion Coverage, 800W@120V INC, 1200VA@120V FL, 2700VA@277V FL, 1/4HP@120V Motor, Commercial Grade - Ivory California Title 24 Compliant.

Product Features

Neutral: Not Required
 Switch Type: Single-Pole
 Adjustment: Self-Adjusting
 Technology: Multi-Technology PIR/Ultrasonic
 Pattern Degrees: 180
 Coverage Range Sq. Ft.: 2400
 Load Rating: 800W@120V INC 1200VA@120V
 2700VA@277V FL
 Time Adjustment: 30s-30m
 Voltage: 120/277 Volt AC 60Hz
 Photo Cell: Ambient Override OFF
 Color: Ivory
 Warranty: 5-Year Limited
 Code Compliance: California Title 24

Features and Benefits

- Self-Adaptive Technology: callbacks for adjustment are eliminated. Time delay and sensitivity settings are continually adjusted to occupant patterns of use in auto adapt mode.
- Exclusive Walk-through Feature: provides increased energy savings by not leaving the lights ON for an extended period after only momentary occupancy.
- Maximum Reliability, Low Cost: All digital circuitry uses a minimum of components.
- Convenient Push-Button: Provides manual ON/OFF light switch at any time.
- Fast, Simple Installation: Fits in a standard wall box and replaces a single-pole wall-switch; neutral and ground connection required. Sensor can be ganged together with other units in a multiple-switch wallplate.
- Adjustable Horizontal Field of View (PIR): May be adjusted between 180 degree and 32 degree of arc by using integral blinders located on either side of the lens.
- Optional Manual Adjustments for Delayed OFF Time Settings: Allows customized adjustments to maximize energy savings.
- Ambient Light Recognition: Integrated photocell prevents lights from turning ON when the room is adequately illuminated by natural light.
- Small Motion Sensitivity (US): The ultrasonic technology provides excellent small motion sensitivity.
- True Zero-Cross Relay: Switches at the zero crossing point of the AC power curve to ensure maximum contactor life and compatibility with electronic ballasts.



SPECIFICATION SUBMITTAL

JOB NAME: <input type="text"/>	CATALOG NUMBERS: <input type="text"/>	
JOB NUMBER: <input type="text"/>	<input type="text"/>	<input type="text"/>

Leviton Manufacturing Co., Inc.

201 North Service Road, Melville, NY 11747
 Telephone: 1-800-323-8920 · FAX: 1-800-832-9538 · Tech Line (8:30AM-7:30PM E.S.T. Monday-Friday): 1-800-824-3005

Leviton Manufacturing of Canada, Ltd.

165 Hymus Boulevard, Pointe Claire, Quebec H9R 1E9 · Telephone: 1-800-469-7890 · FAX: 1-800-824-3005 · www.leviton.com/canada

Leviton S. de R.L. de C.V.

Lago Tana 43, Mexico DF, Mexico CP 11290 · Tel.: (+52)55-5082-1040 · FAX: (+52)5386-1797 · www.leviton.com.mx

Visit our Website at: www.leviton.com

© 2007-2009 Leviton Manufacturing Co., Inc. All rights reserved. Subject to change without notice.

Leviton has a global presence.

If you would like to know where your local Leviton office is located please go to: www.leviton.com/international/contacts/

