



# BR LED with AirFlux Technology

10,5BR30/F90 2700 DIM AF 6/1

Philips BR Dimmable LED Lamps with AirFlux technology provide a soft, diffused level of light and smooth dimming to reduce glare. The sleek, lightweight design is ideal for downlighting.

## Product data

### • General Characteristics

Cap-Base	E26
Bulb	BR30
Rated Avg. Life (Hours)	25000 hr
Rated Lifetime (years)	22.8 an

### • Light Technical Characteristics

Color Code	WW
Color Designation	Warm White
Beam Angle	90 D
Correlated Color Temperature	2700 K
CRI	81
Color Temp. (Kelvin)	2700 K [CCT 2700K]
Rated Luminous Flux	730 Lm

### • Electrical Characteristics

Wattage	10.5 W
Wattage Technical	10.5 W
Voltage	120 V
Line Frequency	60 Hz
Power Factor	0.9 -

Lamp Current mA	93 mA
Dimmable	Yes
Wattage Equivalent	65 W
Starting Time	0.5 (max) s

### • Measuring Conditions

Switching cycle	15000x
-----------------	--------

### • Product Dimensions

Overall Length C	131 mm
Diameter D	95 mm

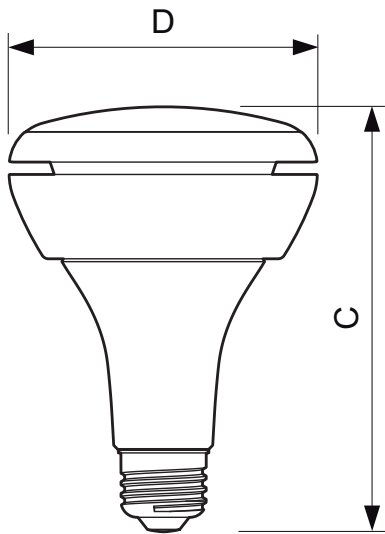
### • Product Data

Product number	293878
Full product name	10,5BR30/F90 2700 DIM AF 6/1
Short product name	10.5BR30/F90 2700 DIM AF 6/1
Pieces per Sku	1
eop_pck_cfg	6
Skus/Case	6
Bar code on pack	46677293871
Bar code on case	50046677293876
Logistics code(s)	929000254404
eop_net_weight_pp	0.275 kg



# PHILIPS

Dimensional drawing



10,5BR30/F90 2700 DIM AF 6/1



E26



© 2013 Koninklijke Philips N.V. (Royal Philips)  
All rights reserved.

Specifications are subject to change without notice. Trademarks are the property of Koninklijke Philips N.V. (Royal Philips) or their respective owners.

[www.philips.com/lighting](http://www.philips.com/lighting)

2013, October 23  
data subject to change