



EnduraLED MR16 4W 3000K 12V 1CT

Product family description

Philips EnduraLED MR16 Lamps provide ambient level light to illuminate hard to maintain applications. Increased transformer compatibility allows for operation on a wider range of transformers. Available in flood and spot versions, these lamps are ideal for track and open recessed fixtures in rooms, hallways, lobbies and retail displays.

Features

- Ideal for accenting objects at close distances.
- Instant-on light.
- Superior Long Life
- 3-Year limited warranty.
- Contains no mercury.
- Emits virtually no UV/IR light in the beam.

Benefits

- Will not fade colors, avoids inventory spoilage.
- Lowers site maintenance costs by reducing re-lamp frequency.
- Delivers quality white light in a crisp uniform beam.

Application

- Suited for accent and architectural lighting in Retail and Hospitality spaces.

Product data	
Product Number	408278
Full product name	EnduraLED MR16 4W 3000K 12V 1CT
Ordering Code	408278
Pack type	
Pieces per Sku	1
Skus/Case	10
Pack UPC	046677408275
EAN2US	
Case Bar Code	50046677408270
Successor Product number	
Additional Information	TC [TC]
Cap-Base	GU5.3

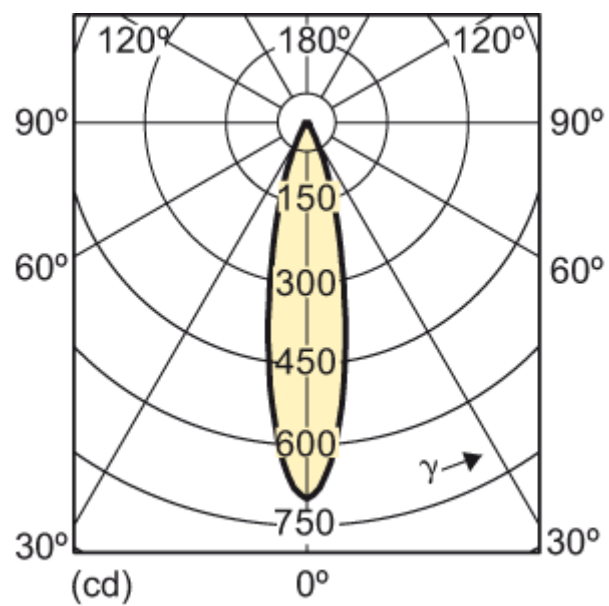
PHILIPS

Product data	
Bulb	MR16 [MR 16inch/50mm]
Average Lifetime	45000 hr
Pack UPC	046677408275
Case Bar Code	50046677408270
Ordering Code	4MR16/END/3000 12V
Wattage	4W
Dimmable	No
Technical Type	4-20W
Color Code	WH
Color Designation (text)	White
Correlated Color Temperature	3000 K
Luminous Intensity	720 cd
Color rendering index	80
Color Temperature	3000K [CCT 3000K]
Diameter D	50.1 mm
Overall Length C	46.02 mm
Product Number	408278

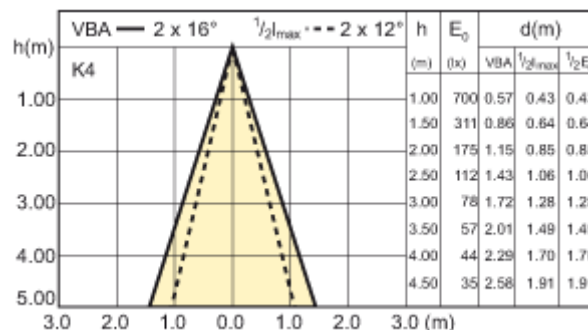
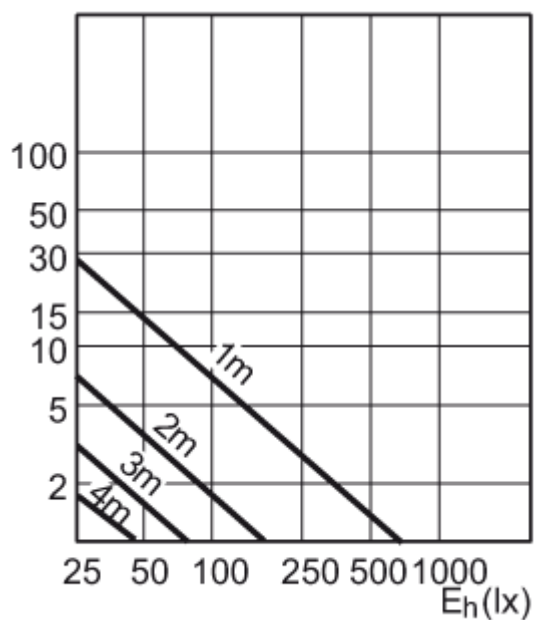


MASTER LEDspotLV MR16

EnduraLED MR16 4W GU5.3 MR16 -

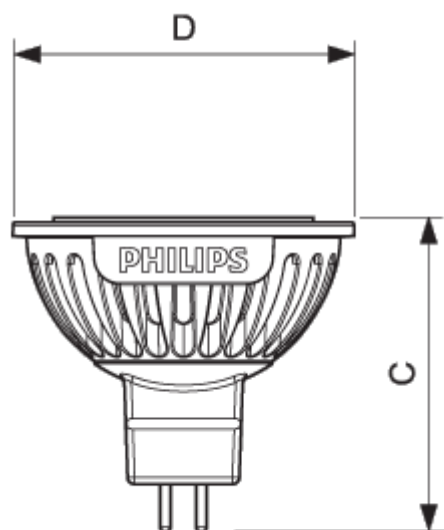


EnduraLED MR16 4W 3000K 12V MR16 24D -



EnduraLED MR16 4W 3000K 12V MR16 24D -

EnduraLED MR16 4W 3000K 12V MR16 24D -



EnduraLED MR16 4W GU5.3 MR16 -/0005

	C	D
Full product name	Nom	Nom
EnduraLED MR16 4W 3000K 12V ICT	46.02	50.1



©2009 Koninklijke Philips Electronics N.V.

All rights reserved. Reproduction in whole or in part is prohibited without the prior written consent of the copyright owner. The information presented in this document does not form part of any quotation or contract, is believed to be accurate and reliable and may be changed without notice. No liability will be accepted by the publisher for any consequence of its use. Publication thereof does not convey nor imply any license under patent- or other industrial or intellectual property rights.

Document order number : 0000 000 00000