



EnduraLED MR16 4W 2700K 12V 1CT

Product family description

Philips EnduraLED MR16 Lamps provide ambient level light to illuminate hard to maintain applications. Increased transformer compatibility allows for operation on a wider range of transformers. Available in flood and spot versions, these lamps are ideal for track and open recessed fixtures in rooms, hallways, lobbies and retail displays.

Features

- Ideal for accenting objects at close distances.
- Instant-on light.
- Superior Long Life
- 3-Year limited warranty.
- Contains no mercury.
- Emits virtually no UV/IR light in the beam.

Benefits

- Will not fade colors, avoids inventory spoilage.
- Lowers site maintenance costs by reducing re-lamp frequency.
- Delivers quality white light in a crisp uniform beam.

Application

- Suited for accent and architectural lighting in Retail and Hospitality spaces.

| Product data | |
|--------------------------|---------------------------------|
| Product Number | 408757 |
| Full product name | EnduraLED MR16 4W 2700K 12V 1CT |
| Ordering Code | 408757 |
| Pack type | |
| Pieces per Sku | 1 |
| Skus/Case | 10 |
| Pack UPC | 046677408756 |
| EAN2US | |
| Case Bar Code | 50046677408751 |
| Successor Product number | |
| Additional Information | TC [TC] |
| Cap-Base | GU5.3 |

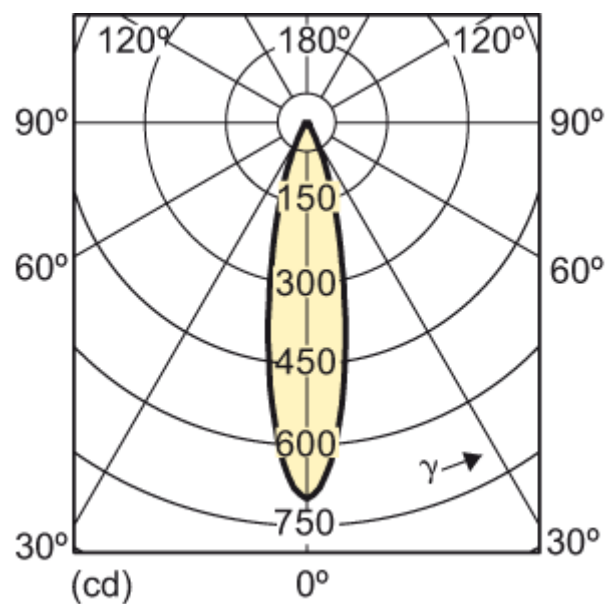
PHILIPS

| Product data | |
|------------------------------|-----------------------|
| Bulb | MR16 [MR 16inch/50mm] |
| Average Lifetime | 45000 hr |
| Pack UPC | 046677408756 |
| Case Bar Code | 50046677408751 |
| Ordering Code | 4MR16/END/2700 12V |
| Wattage | 4W |
| Dimmable | No |
| Technical Type | 4-20W |
| Color Code | WW |
| Color Designation (text) | Warm White |
| Correlated Color Temperature | 2700 K |
| Luminous Intensity | 700 cd |
| Color rendering index | 80 |
| Color Temperature | 2700K [CCT 2700K] |
| Diameter D | 50.1 mm |
| Overall Length C | 46.02 mm |
| Product Number | 408757 |

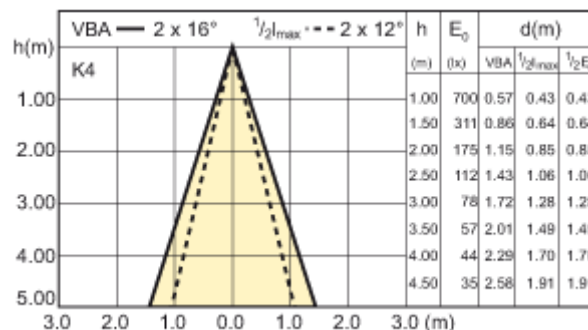
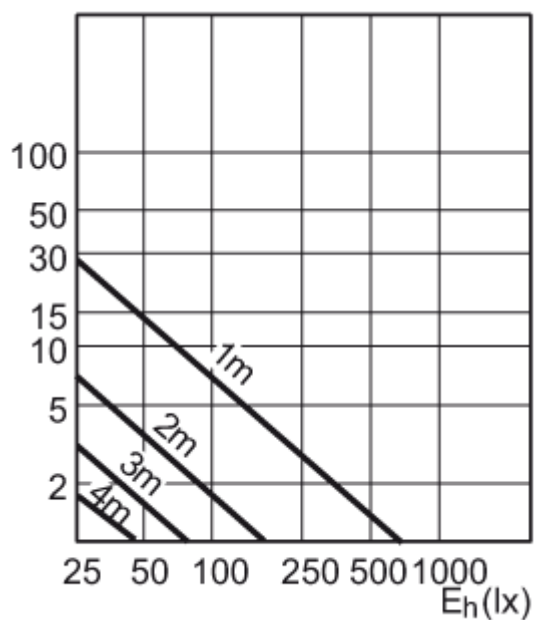


MASTER LEDspotLV MR16

EnduraLED MR16 4W GU5.3 MR16 -

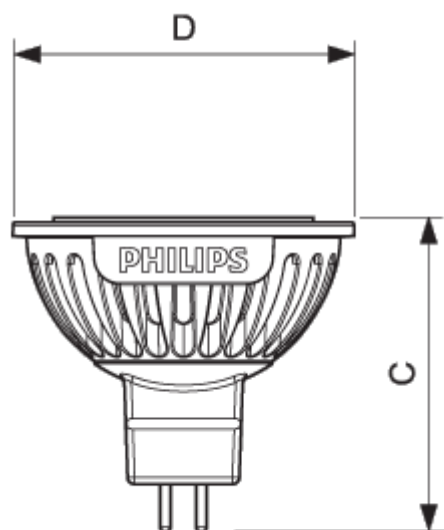


EnduraLED MR16 4W 2700K 12V MR16 24D



EnduraLED MR16 4W 2700K 12V MR16 24D

EnduraLED MR16 4W 2700K 12V MR16 24D



EnduraLED MR16 4W GU5.3 MR16 -/0005

| | C | D |
|---------------------------------|-------|------|
| Full product name | Nom | Nom |
| EnduraLED MR16 4W 2700K 12V ICT | 46.02 | 50.1 |



©2009 Koninklijke Philips Electronics N.V.

All rights reserved. Reproduction in whole or in part is prohibited without the prior written consent of the copyright owner. The information presented in this document does not form part of any quotation or contract, is believed to be accurate and reliable and may be changed without notice. No liability will be accepted by the publisher for any consequence of its use. Publication thereof does not convey nor imply any license under patent- or other industrial or intellectual property rights.

Document order number : 0000 000 00000