



# PAR38 LED with AirFlux Technology

18PAR38/END/F25 3000-950 DIM SM 6/1

Philips PAR38 Dimmable LED Lamps with AirFlux Technology provide optimal thermal efficiency in a sleek, lightweight design.

## Product data

### • General Characteristics

Cap-Base	E26
Bulb	PAR38 [PAR38 mm]
Rated Avg. Life (Hours)	45000 hr

### • Light Technical Characteristics

Color Code	WH
Color Designation	White
Beam Angle	25 D
Beam Description	25D [Medium beam]
Correlated Color Temperature	3000 K
Approx. MBCP	4100 cd
CRI	80
Color Temp. (Kelvin)	3000 K [CCT 3000K]
Rated Luminous Flux	950 Lm

### • Electrical Characteristics

Wattage	18 W
Wattage Technical	18 W
Voltage	120 V
Line Frequency	50-60 Hz

Power Factor	0.73 -
Lamp Current mA	204 mA
Dimmable	Yes
Starting Time	0.5 (max) s

### • Product Dimensions

Overall Length C	128.7 mm
Overall Length C [inch]	5.07 (max) in
Diameter D	121.3 mm

### • Product Data

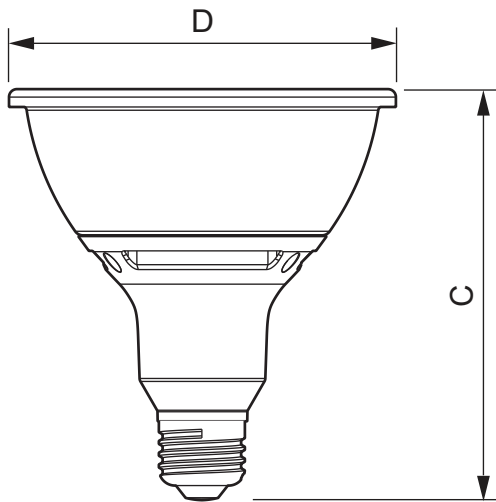
Product number	420521
Full product name	18PAR38/END/F25 3000-950 DIM SM 6/1
Short product name	18PAR38/END/F25 3000 DIM AF 6/1
Pieces per Sku	1
eop_pck_cfg	6
Skus/Case	6
Bar code on pack	46677420529
Bar code on case	50046677420524
Logistics code(s)	929000223704
eop_net_weight_pp	0.370 kg

## Dimensional drawing



**PHILIPS**  
sense and simplicity

## Dimensional drawing



E26

### 18PAR38/END/F25 3000-950 DIM SM 6/1

Product	C (Norm)	D (Norm)
LED 18W E26 WH 3000K 120V PAR38 25D	128.7	121.3



© 2013 Koninklijke Philips Electronics N.V.  
All rights reserved.

Specifications are subject to change without notice. Trademarks are the property of Koninklijke Philips Electronics N.V. or their respective owners.

[www.philips.com/lighting](http://www.philips.com/lighting)

2013, January 18  
data subject to change