



PAR30 LED with AirFlux Technology

13PAR30S/END/F36 3000 DIM SM 6/1

Philips PAR30 Dimmable LED Lamps with AirFlux Technology provide optimal thermal efficiency in a sleek, lightweight design.

Product data

• General Characteristics

Cap-Base	E26
Bulb	PAR30S [PAR30S mm]
Bulb Finish	White
Rated Avg. Life (Hours)	45000 hr

• Light Technical Characteristics

Color Code	WH
Color Designation	White
Beam Angle	36 D
Beam Description	36D [Medium beam]
Correlated Color Temperature	3000 K
Approx. MBCP	1550 cd
CRI	80
Color Temp. (Kelvin)	3000 K [CCT 3000K]
Rated Luminous Flux	750 Lm

• Electrical Characteristics

Wattage	13 W
Wattage Technical	13 W
Voltage	120 V
Line Frequency	60 Hz

Power Factor	0.8 -
Lamp Current mA	150 mA
Dimmable	Yes
Starting Time	0.5 s

• Product Dimensions

Overall Length C	88.8 mm
Overall Length C [inch]	3.50 (max) in
Diameter D	92 mm

• Product Data

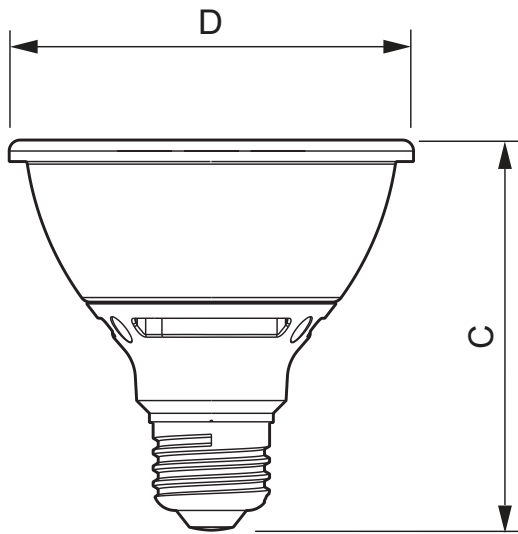
Product number	423475
Full product name	13PAR30S/END/F36 3000 DIM SM 6/1
Short product name	13PAR30S/END/F36 3000 DIM SM 6/1
Pieces per Sku	1
eop_pck_cfg	6
Skus/Case	6
Bar code on pack	46677423476
Bar code on case	50046677423471
Logistics code(s)	929000228704
eop_net_weight_pp	0.310 kg

Dimensional drawing



PHILIPS
sense and simplicity

Dimensional drawing



E26

13PAR30S/END/F36 3000 DIM SM 6/1

Product	C (Norm)	C1 (Max)	D (Norm)	D1 (Norm)
LED 13W 3000K 120V PAR30S 36D	88.8	3.50	92	3.62



© 2013 Koninklijke Philips Electronics N.V.
All rights reserved.

Specifications are subject to change without notice. Trademarks are the property of Koninklijke Philips Electronics N.V. or their respective owners.

www.philips.com/lighting

2013, May 13
data subject to change