



BR LED with AirFlux Technology

8R20/F90 2700 DIM 6/1

Philips BR Dimmable LED Lamps with AirFlux technology provide a soft, diffused level of light and smooth dimming to reduce glare. The sleek, lightweight design is ideal for downlighting.

Product data

• General Characteristics

Cap-Base	E26
Bulb	R20
Rated Avg. Life (Hours)	25000 hr
Rated Lifetime (years)	22.8 an

• Light Technical Characteristics

Color Code	WH
Color Designation	White
Beam Angle	90 D
Correlated Color Temperature	2700 K
CRI	80
Color Temp. (Kelvin)	2700 K [CCT 2700K]
Rated Luminous Flux	530 Lm

• Electrical Characteristics

Wattage	8 W
Wattage Technical	8 W

Voltage	120 V
Line Frequency	60 Hz
Power Factor	0.8 -
Lamp Current mA	90 mA
Dimmable	Yes
Wattage Equivalent	50 W

• Product Dimensions

Overall Length C	97 mm
Diameter D	63 mm

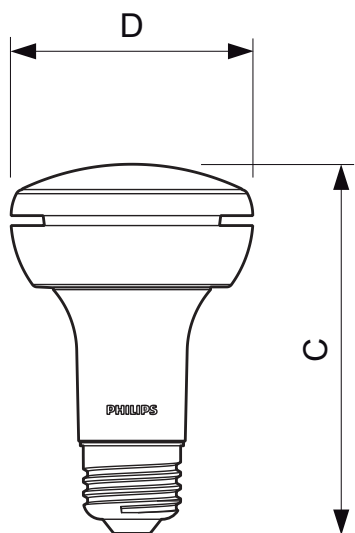
• Product Data

Product number	428813
Full product name	8R20/F90 2700 DIM 6/1
Short product name	8R20/F90 2700 DIM 6/1
Pieces per Sku	1
Skus/Case	6
Bar code on pack	46677428815
Bar code on case	50046677428810
Logistics code(s)	929000219204
eop_net_weight_pp	0.162 kg

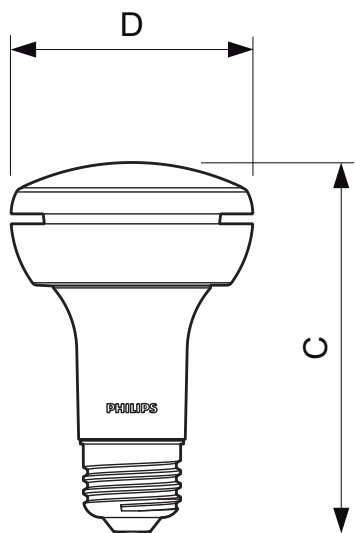


PHILIPS

Dimensional drawing



8R20/F90 2700 DIM 6/1



8R20/F90 2700 DIM 6/1



E26



© 2013 Koninklijke Philips N.V. (Royal Philips)
All rights reserved.

Specifications are subject to change without notice. Trademarks are the property of Koninklijke Philips N.V. (Royal Philips) or their respective owners.

www.philips.com/lighting

2013, June 21
data subject to change