

LED Series

LED Round Back Flood



FL61

Housing:

Die Cast Aluminum Housing & Hinged Top Frame, Textured Architectural Bronze Powdercoat Finish Over a Chromate Conversion Coating

Mounting:

Heavy Duty Adjustable Knuckle with 1/2" NPS Threads or Optional Adjustable Die Cast Slipfitter with Angle Indicators

LG LED Module:

Luminous Flux: See Chart
 CRI: 80+, CCT: 4000K, 5700K or 6500K
 Operating Temperature: -40 ~ 50°C
 50,000 Hours
 Module has IP67 Rating
 RoHS Compliant
 R9: -0.9

Wattage:

LED: 3 x 9 or 12w

Driver:

Electronic Driver, 120-277V, 50/60Hz
 Power Factor: .90
 Input Current: 0.69A@120VAC
 Current: .53mA
 THD: ≤20%

System Wattage: 13.6w per Module

Listing & Ratings:

CSA: Listed for Wet Locations

LM-79 Report Available on Select Models.

Options:

Dimmable Driver
 2.5KV Surge Protection

Custom Colors Available Upon Request.

DESIGNLIGHTS CONSORTIUM

DesignLights Consortium Qualified Luminaires:
 FL61LF3X12U57K
 FL61LI3X12U57K

LED Round Back Flood

Catalog

Description

Example: FL61LF3X12U4KZSP

FL61	Model:	FL61
L	LED Mfr:	L=LG Innotek
F	Optics:	F=Medium Flood, I=Spot Flood
3X	Number of Modules:	3X=Three
12	Wattage:	9=9w, 12=12w
U	Ballast:	U=120-277V
4K	CCT:	4K=4000K, 57K=5700K, 65K=6500K
Z	Color:	Z=Bronze
*	Mounting:	1/2" NPS Knuckle Included. *Add SF for Optional Slipfitter.
SP	Options:	SF=Single Fuse, DF=Double Fuse, SP=Surge Protection

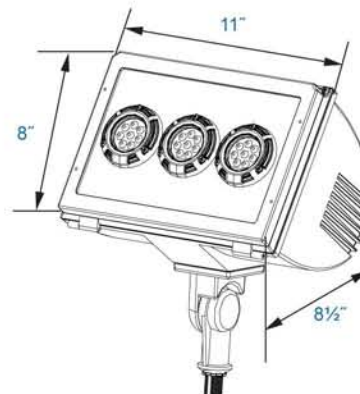
LD

LED lighting facts

LED Product Partner

Total Luminous Flux per Module	CCT	Optic Type					
		C		F		I	
		12w	9w	12w	9w	12w	9w
	6500K	1288	850	1345	888	1296	856
	5700K	1288	850	1345	888	1296	856
	4000K	1076	710	1100	726	1088	718

DIMENSIONS



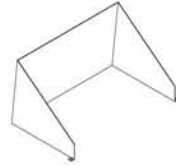
FL61

LED Series

LED Round Back Flood

Catalog #	Description
FL60GS*	Glare Shield, Aluminum, Bronze Powdercoat Finish (Can be reverse mounted as a back cutoff.)
FL61ST*	Heavy Duty Adjustable Knuckle, 1/2" NPS Threads for FL61 & FL62
FL73SFX*	External Mount Slipfitter, Die Cast, Hardware & Angle Indicator Bronze, Coin Plugs
FLPTF*	Post Top Fitter, Die Cast Aluminum, Three (3) 1/2" Coin Plugs
FLSTK*	Heavy-Duty Ground Stake, Built-in Wiring Compartment

*Specify Color: BZ=Bronze, WH=White, BK=Black



FL60GS



FL61ST



FL73SFX

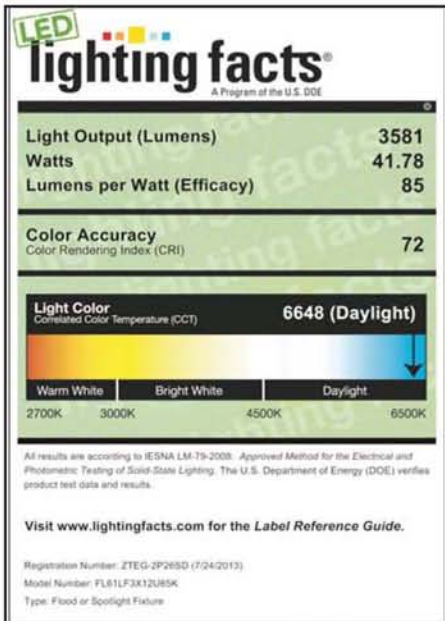


FLPTF

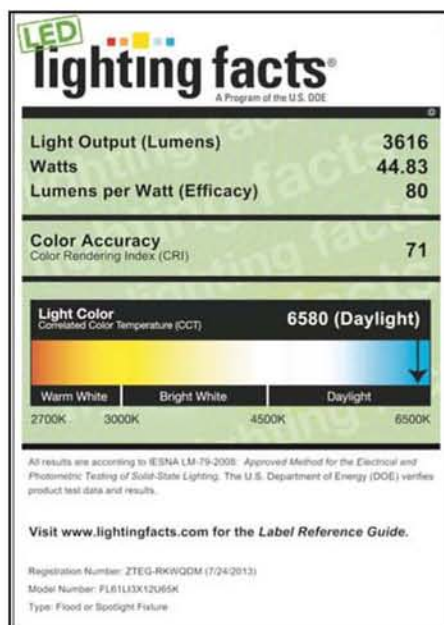


FLSTK

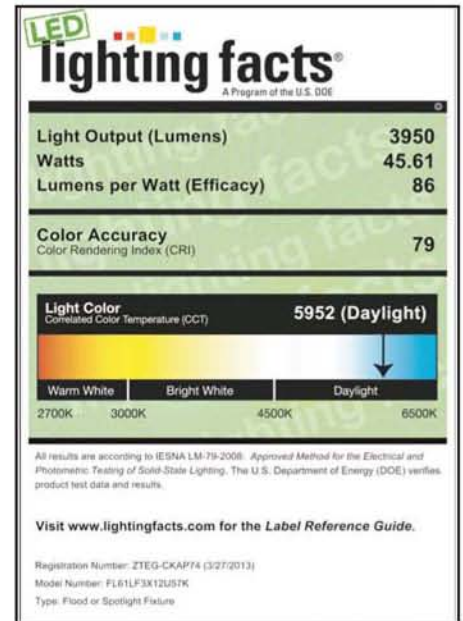
LD



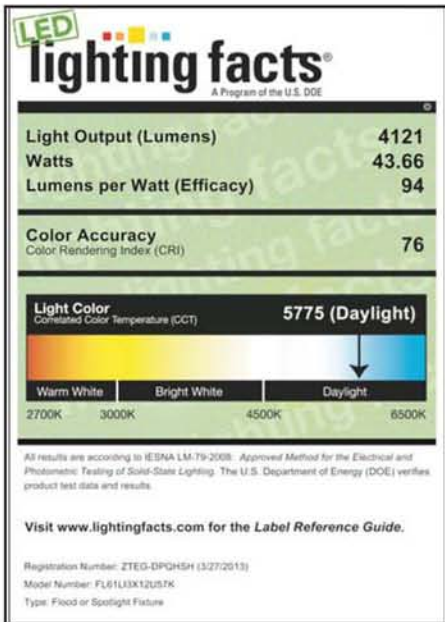
LM-79 Report Available.



LM-79 Report Available.



LM-79 Report Available.
DesignLights Consortium Qualified Luminaire.



LM-79 Report Available.
DesignLights Consortium Qualified Luminaire.