

LED Series

LED Vandal Resistant Garage Lighter



VNGL40

Housing:

Die Cast Aluminum Housing, 1/2" Coin Plugs with O-rings for Conduit & Photocell on Sides & Back, Textured Architectural Powdercoat Finish Over a Chromate Conversion Coating

Reflector:

White Aluminum Reflector

Lens:

Extended Clear Prismatic Polycarbonate Lens

Mounting:

Built-in Template for Mounting to an Electrical Box, or Use 1/2" Surface Conduit, Downrod, or Quick-Mount Bracket.

Xicato LED Module:

Luminous Flux: 1070lm @ 500mA (83 lpw),

780lm @ 350mA (88 lpw)

CRI: ≥80, CCT: 4000K

Operating Temperature: -40°C to 80°C (@ Tc)

50,000 Hours

Module has IP66 Rating

RoHS Compliant

1x2 MacAdam Ellipse Color Specification

Wattage:

LED: 1 x 7.5 or 15w, 2 x 7.5 or 15w, 3 x 7.5 or 15w, 4 x 7.5w

Listing & Ratings:

CSA: Listed for Wet Locations

(Damp Locations When Used with VNQM)

Add: PC1 120V Photocell (Field Installed)

PC2 208-277V Photocell (Field Installed)

Custom Colors Available Upon Request.

LED Vandal Resistant Garage Lighter

Catalog #

Description

Complete Units

Ordering Information

Example: VNGL40X4X7HU4Z

VNGL40	Model:	VNGL40
X	LED Mfr:	X=Xicato
4X	Number of Modules:	1X=One, 2X=Two, 3X=Three, 4X=Four
7H	Wattage:	7H=7.5w, 15=15w* *15w Not Available for 4 Module Units.
U	Ballast:	U=120-277V, 347=347V, 480=480V
4	Color Temp:	4=4000K
Z	Color:	Z=Bronze, W=White
-	Mounting:	N/A
-	Options:	Optics Sold Separately - See Reverse



Optic Options:

(Sold Separately - See Reverse)

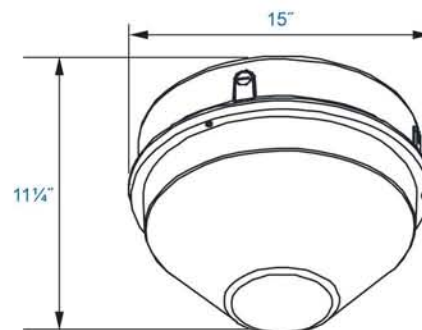
OPT20: 20°

OPT40: 40°

OPT40W: Wide 40°

OPT60: 60°

DIMENSIONS



VNGL40

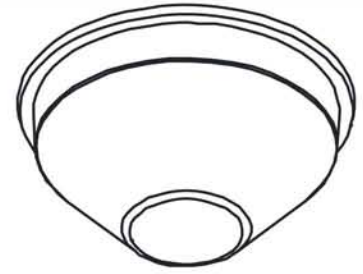
LD

LD

Catalog #	Description
VNGL40PC	Extended Clear Prismatic Polycarbonate Lens
VNQM	Hinged Quick-Mount Bracket, Stamped Steel, Mount Over Recessed Electrical Box, or Use 3/4" NPS Downrod for Pendant Mounting. CSA Listed for Damp Location Mounting.
OPT20	20° Plastic Reflector
OPT40	40° Plastic Reflector
OPT40W	40° Plastic Reflector, Wide
OPT60	60° Plastic Reflector

LED Series

LED Vandal Resistant Garage Lighter



VNGL40PC



VNQM



OPT20



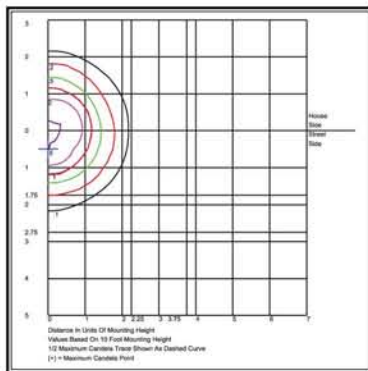
OPT40



OPT40W



OPT60



VNGL40X3X15U4

PHOTOMETRICS

LD-258