

Plusrite®

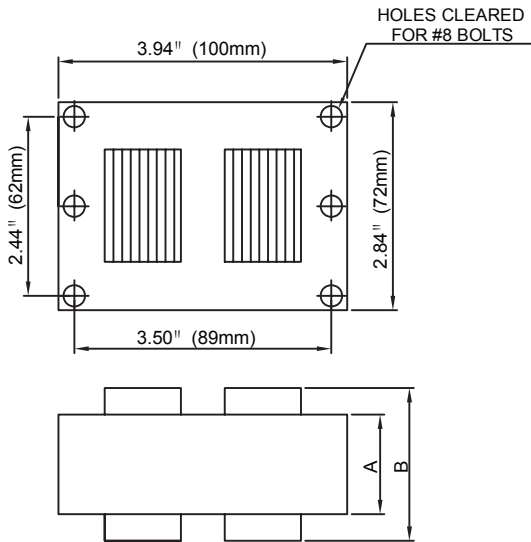
CATALOG NUMBER: BAPS70-HX/V4

70W M98

Pulse Start Metal Halide Lamp Ballast

60 Hz HX-HPF

3X4 CORE.WMF



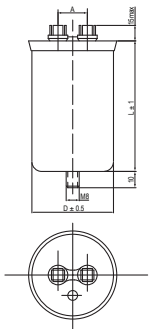
Input Volts	120	208	240	277
Circuit Type	HX-HPF			
REGULATION				
Line Volts	±5%			
Lamp Watts	±8%			
LINE CURRENT(Amps)				
Operating	0.80	0.45	0.40	0.35
Open Circuit	1.65	0.95	0.80	0.70
Starting	0.75	0.55	0.50	0.35
RECOMMENDED FUSE (Amps)				
	4	3	2	2
TEMPERATURE RATINGS				
Insulation Class	180 (H)			
Coil Temperature Code	A			
Benchtop Coil Rise	60.9	63.0	62.4	64.1
Power Factor (Min)	90%			
Input Watts	92 W			
Efficiency	76%			
NOM. OPEN CIRCUIT VOLTAGE				
	250			
INPUT VOLTAGE AT LAMP DROPOUT				
	85	140	165	185
MIN AMBIENT STARTING TEMP				
	-20°F/-30°C			

Capacitor:

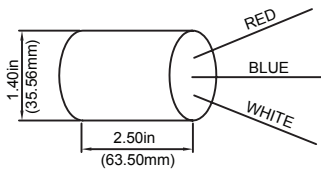
Microfarads: 8.0 uf
 Volts (Max): 330 V
 Case Temp(Max): 100°C
 D: 1.65 in
 L: 2.56 in
 A: 0.63 in

Ignitor:

Case Temp (Max): 105 °C
 BTL Distance (Max): 2 ft



Oil-Filled Capacitor



60 HZ TEST PROCEDURES

High Potential Test (Volts)				
1 Minute	1,600 V			
1 Second	1,900 V			
Open Circuit Voltage Test (V)				
	225 - 275			
Short Circuit Current Test (A)				
Secondary Current	Min	0.95		
	Max	1.20		
Input Current	Min	0.45	0.25	0.25
	Max	0.85	0.50	0.45

CORE and COIL Specifications

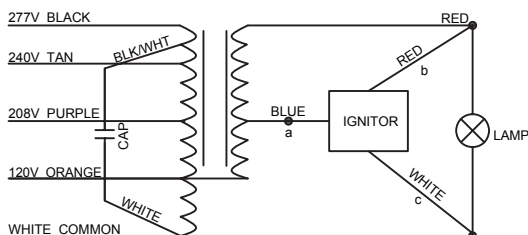
Dimension A (in)	1.45
Dimension B (in)	2.85
Weight (lbs)	4.6
Lead Lengths (in)	12

CAPACITOR REQUIREMENT

Microfarads	8.0 uf
Volts (Min)	280 V

Wiring Diagram:

RoHS



ORDERING INFORMATION

The ballast is prewired comes with a kit including capacitor, ignitor and bracket.

Data is based upon tests performed by Plusrite in a controlled environment and is representative of relative performance. Actual performance can vary depending on operating conditions. Specifications are subject to change without notice.

Coil material: Cu/Al