

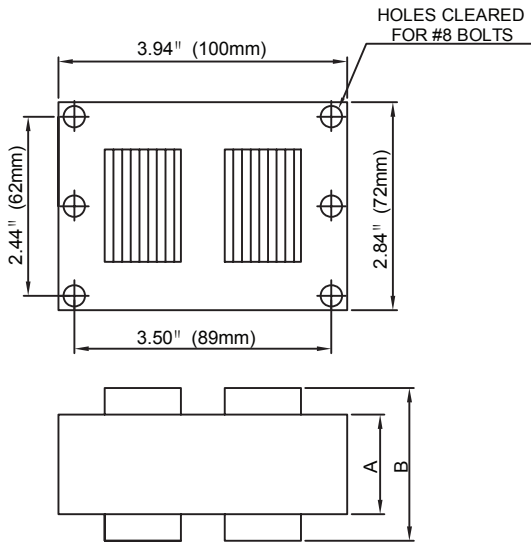
Plusrite®

CATALOG NUMBER: BAPS175-CWA/V4

175W M137/M152

**Pulse Start Metal Halide Lamp Ballast
60 Hz CWA**

3X4 CORE.WMF



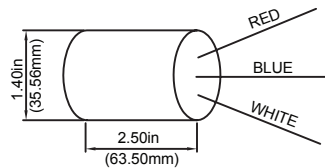
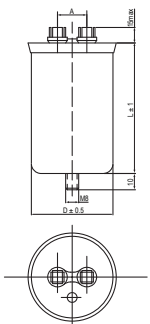
Input Volts		120	208	240	277
Circuit Type	CWA				
REGULATION					
Line Volts	±5%				
Lamp Watts	±8%				
LINE CURRENT(Amps)					
Operating		1.75	1.00	0.85	0.75
Open Circuit		1.60	0.95	0.80	0.70
Starting		0.90	0.50	0.35	0.30
RECOMMENDED FUSE (Amps)					
		5	3	3	2
TEMPERATURE RATINGS					
Insulation Class	180 (H)				
Coil Temperature Code	A				
Benchtop Coil Rise		50.3	48.9	44.0	48.8
Power Factor (Min)	90%				
Input Watts	199 W				
Efficiency	88%				
NOM. OPEN CIRCUIT VOLTAGE	275				
INPUT VOLTAGE AT LAMP DROPOUT		70	120	135	150
MIN AMBIENT STARTING TEMP	-20°F/-30°C				

Capacitor:

Microfarads: 12.5 uf
Volts (Max): 400 V
Case Temp(Max): 100°C
D: 1.65 in
L: 2.95 in
A: 0.63 in

Ignitor:

Case Temp (Max): 105 °C
BTL Distance (Max): 2 ft



60 HZ TEST PROCEDURES

High Potential Test (Volts)					
1 Minute		1,600 V			
1 Second		1,900 V			
Open Circuit Voltage Test (V)		250 - 300			
Short Circuit Current Test (A)					
Secondary Current	Min	1.70			
	Max	2.05			
Input Current	Min	0.55	0.30	0.25	0.20
	Max	0.80	0.45	0.40	0.35

CORE and COIL Specifications

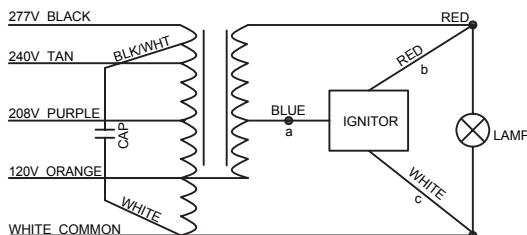
Dimension A (in)	3.00
Dimension B (in)	4.40
Weight (lbs)	9.0
Lead Lengths (in)	12

CAPACITOR REQUIREMENT

Microfarads	12.5 uf
Volts (Min)	330 V

Wiring Diagram:

RoHS



ORDERING INFORMATION

The ballast is prewired comes with a kit including capacitor, ignitor and bracket.

Data is based upon tests performed by Plusrite in a controlled environment and is representative of relative performance. Actual performance can vary depending on operating conditions. Specifications are subject to change without notice.

Coil material: Cu/Al