

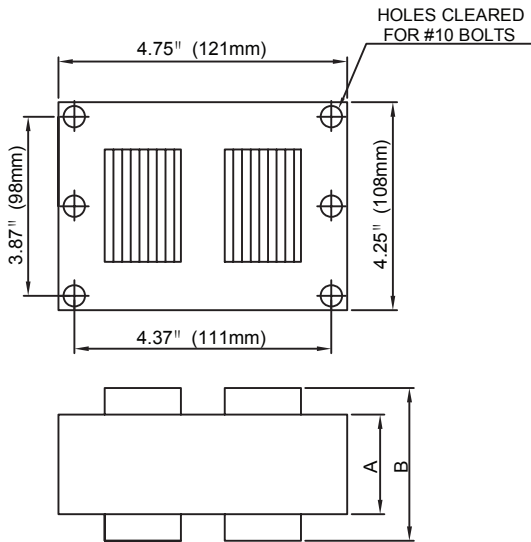
Plusrite®

CATALOG NUMBER: BAPS350-CWA/V4

350W M131

**Pulse Start Metal Halide Lamp Ballast
60 Hz CWA**

4X4 CORE - HX, CWA CWI UNITS



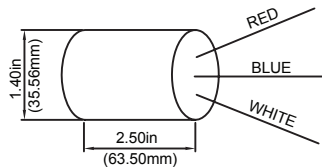
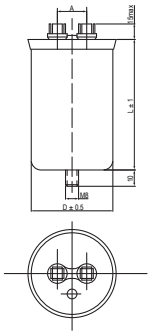
Input Volts		120	208	240	277
Circuit Type	CWA				
REGULATION					
Line Volts	±10%				
Lamp Watts	±10%				
LINE CURRENT(Amps)					
Operating		3.60	2.10	1.80	1.55
Open Circuit		1.30	0.75	0.65	0.55
Starting		3.30	1.90	1.65	1.40
RECOMMENDED FUSE (Amps)					
		9	6	5	4
TEMPERATURE RATINGS					
Insulation Class	180 (H)				
Coil Temperature Code		B	C	C	C
Benchtop Coil Rise		75.9	80.2	80.6	82.2
Power Factor (Min)	90%				
Input Watts	398 W				
Efficiency	88%				
NOM. OPEN CIRCUIT VOLTAGE	245				
INPUT VOLTAGE AT LAMP DROPOUT		85	155	170	190
MIN AMBIENT STARTING TEMP	-20°F/-30°C				

Capacitor:

Microfarads: 24.0 uf
Volts (Max): 400 V
Case Temp(Max): 100°C
D: 1.77 in
L: 3.54 in
A: 0.71 in

Ignitor:

Case Temp (Max): 105 °C
BTL Distance (Max): 2 ft



60 HZ TEST PROCEDURES

High Potential Test (Volts)					
1 Minute		1,600 V			
1 Second		1,900 V			
Open Circuit Voltage Test (V)		215 - 275			
Short Circuit Current Test (A)					
Secondary Current	Min	3.25			
	Max	3.95			
Input Current	Min	2.50	1.45	1.25	1.10
	Max	3.80	2.15	1.90	1.70

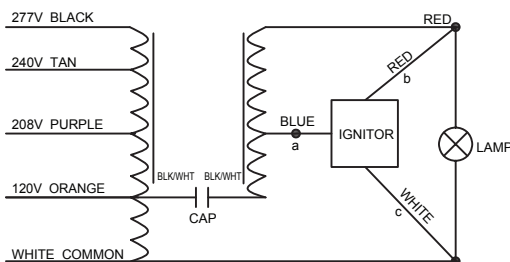
CORE and COIL Specifications

Dimension A (in)	2.00
Dimension B (in)	3.80
Weight (lbs)	10.5
Lead Lengths (in)	12

CAPACITOR REQUIREMENT

Microfarads	24.0uf
Volts (Min)	330 V

Wiring Diagram:



ORDERING INFORMATION

The ballast is prewired comes with a kit including capacitor, ignitor and bracket.

Data is based upon tests performed by Plusrite in a controlled environment and is representative of relative performance. Actual performance can vary depending on operating conditions. Specifications are subject to change without notice.

Coil material: Cu/Al